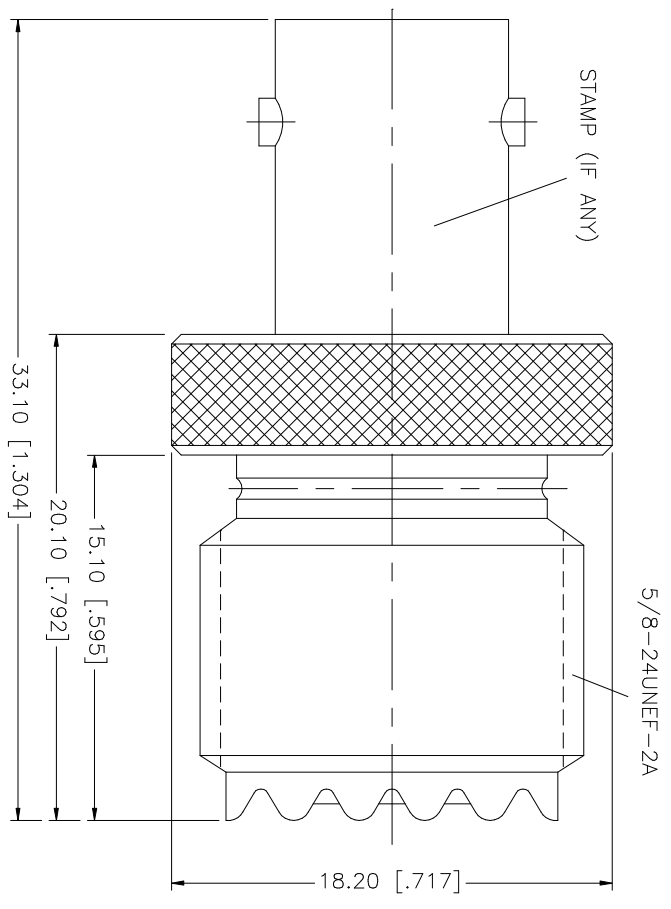


REV.	DATE	DESCRIPTION
A	01/22/04	UPDATE DRAWING FORMAT



QTY	FINISH	MATERIAL	DESCRIPTION
1	GOLD	BRASS	CONTACT PIN (UHF)
1	GOLD	PHOS. BRONZE	CONTACT PIN (BNC)
1	NATURAL	TEFLON	INSULATOR
1	GOLD	BRASS	BODY
			DESCRIPTION

UNLESS OTHERWISE SPECIFIED DIMENSIONS ARE IN MILLIMETERS. DIMENSIONS IN [ ] ARE IN INCHES AND FOR CUSTOMER REFERENCE ONLY.	UNLESS OTHERWISE SPECIFIED DIMENSIONS ARE IN MILLIMETERS. DIMENSIONS IN [ ] ARE IN INCHES AND FOR CUSTOMER REFERENCE ONLY.	UNLESS OTHERWISE SPECIFIED DIMENSIONS ARE IN MILLIMETERS. DIMENSIONS IN [ ] ARE IN INCHES AND FOR CUSTOMER REFERENCE ONLY.
TOLERANCES FOR MILLIMETERS ARE:	TOLERANCES FOR MILLIMETERS ARE:	TOLERANCES FOR MILLIMETERS ARE:
0.5 - 8mm ± 0.20mm	8 - 30mm ± 0.40mm	30 - 120mm ± 0.50mm
UNLESS OTHERWISE SPECIFIED TOLERANCES FOR INCHES ARE:		
.020 - .315 = ± 0.007"	.315 - 1.180 = ± 0.015"	1.180 - 4.724 = ± 0.020"

APPROVALS	DATE	PART DESCRIPTION
DRAWN G.R.S.	01/22/04	BNC JACK TO UHF JACK ADAPTER
CHECKED		
ISSUED		

CAD FILE	DWG. NO.	REV.	SIZE	SCALE
C:/242/242165.DWG	242165.DWG	A	A	NA

APPROVALS	DATE	PART NO.
DRAWN G.R.S.	01/22/04	242165
CHECKED		
ISSUED		

**Amphenol** **Connex**

BNC JACK TO UHF JACK ADAPTER

242165

# Mouser Electronics

Authorized Distributor

Click to View Pricing, Inventory, Delivery & Lifecycle Information:

[Amphenol:](#)

[242165](#)