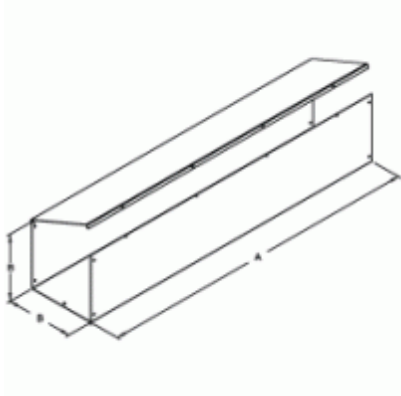




Quality Products. Service Excellence.

Type 1 Lay In Hinge Cover Wireway - w/o Knockouts CWST NK Series



A=12"	A=18"	A=24"	A=36"	Size
CWST212NK	-	CWST224NK	CWST236NK	2.5 x 2.5
CWST412NK	CWST418NK	CWST424NK	CWST436NK	4 x 4
CWST612NK	CWST618NK	CWST624NK	CWST636NK	6 x 6
CWST812NK	CWST818NK	CWST824NK	CWST836NK	8 x 8
CWST1012NK	-	CWST1024NK	CWST1036NK	10 x 10
CWST1212NK	-	CWST1224NK	CWST1236NK	12 x 12

A=48"	A=60"	A=72"	A=96"	A=120"	Size
CWST248NK	CWST260NK	-	-	CWST2120NK	2.5 x 2.5
CWST448NK	CWST460NK	CWST472NK	-	CWST4120NK	4 x 4
CWST648NK	CWST660NK	CWST672NK	-	CWST6120NK	6 x 6
CWST848NK	CWST860NK	CWST872NK	-	CWST8120NK	8 x 8
CWST1048NK	CWST1060NK	CWST1072NK	CWST1096NK	CWST10120NK	10 x 10
CWST1248NK	CWST1260NK	CWST1272NK	CWST1296NK	CWST12120NK	12 x 12

Data subject to change without notice

© 2020. Hammond Manufacturing Ltd. All rights reserved.

Mouser Electronics

Authorized Distributor

Click to View Pricing, Inventory, Delivery & Lifecycle Information:

Hammond:

[CWST10120NK](#) [CWST1012NK](#) [CWST1024NK](#) [CWST1036NK](#) [CWST1048NK](#) [CWST1060NK](#) [CWST1072NK](#)
[CWST1096NK](#) [CWST12120NK](#) [CWST1212NK](#) [CWST1224NK](#) [CWST1236NK](#) [CWST1248NK](#) [CWST1260NK](#)
[CWST1272NK](#) [CWST1296NK](#) [CWST418NK](#) [CWST618NK](#) [CWST818NK](#)