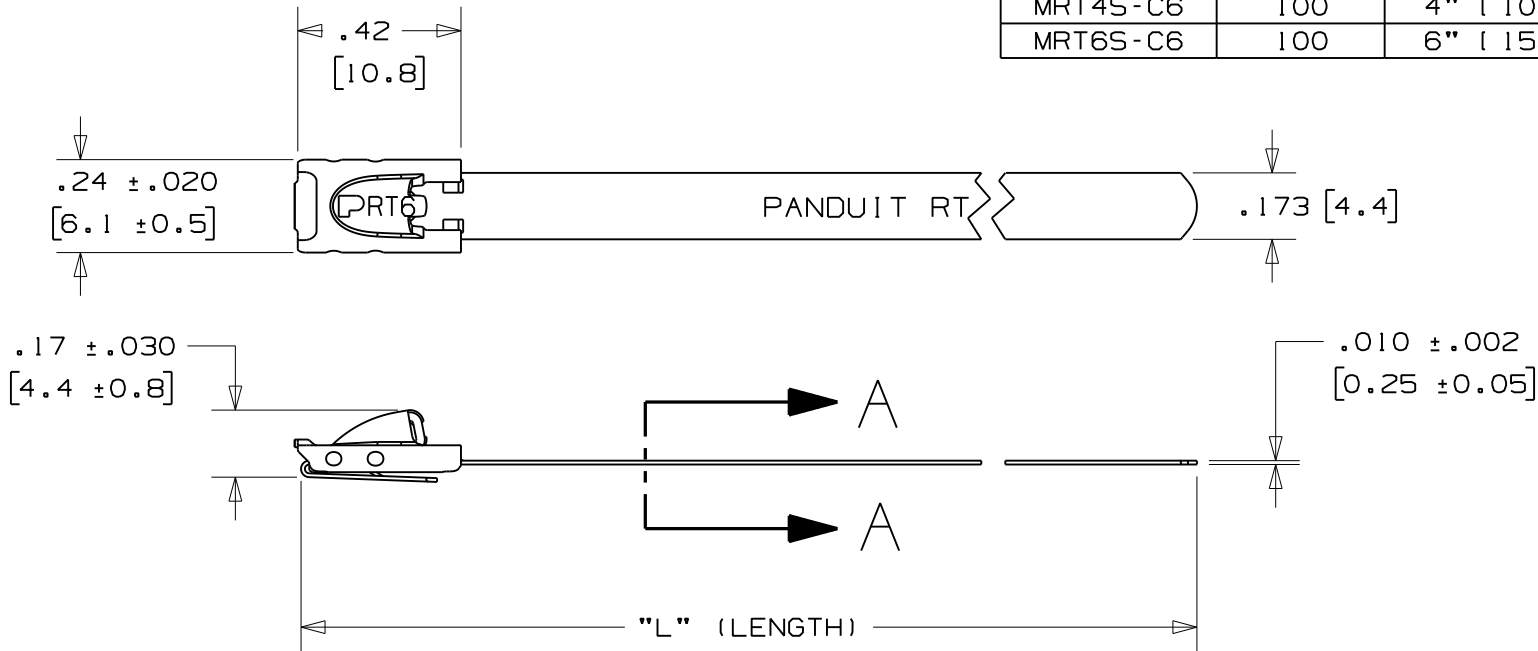


THIS COPY IS PROVIDED ON A RESTRICTED BASIS AND IS NOT TO BE USED IN ANY WAY DETRIMENTAL TO THE INTERESTS OF PANDUIT CORP.

PANDUIT PART NO.	PACKAGE QTY	MAX BUNDLE DIAMETER	LENGTH "L" +/- .3" [7]
MRT1S-C6	100	1" [25]	8.1" [205]
MRT2S-C6	100	2" [51]	11.3" [287]
MRT4S-C6	100	4" [102]	17.6" [447]
MRT6S-C6	100	6" [152]	23.8" [604]




SECTION A - A
SCALE 8:1

NOTES:

- 1.) APPLICATION TOOLS - MRT1S & PRT1
- 2.) MINIMUM LOOP TENSILE STRENGTH - 180 LBS. (800 NEWTONS) WHEN TESTED ON A 1.5" MANDREL.
- 3.) [] DENOTES DIMENSION IN MILLIMETERS
- 4.) TOLERANCES:
 .XXX = ±.010 [.25]
 .XX = ±.02 [.5]
 .X = ±.03 [.8]
 ANGLES = ±2°
- 5.) MATERIAL: 316 STAINLESS STEEL

N41244BS_DC/03A

03A	2/09	JAMB	EJD	APPLICATION TOOLS WERE MRT1S & PRT1 UPDATE DWG TO REFLECT CURRENT PRODUCTION PART		 PANDUIT TM TINLEY PARK, ILLINOIS METAL TIE - STANDARD SERIES RETAINED TENSION - 316 STAINLESS STEEL CUSTOMER DRAWING
02A	3/07	JAMB	EJD	CHANGED PART NO. PACKAGING CODE FROM "L" TO "C" AND QTY FROM 50 TO 100	SS00340	
01A	1/07	JAMB	EJD	REMOVED PART NO. MRT8S-L6 FROM TABLE	SS00317	
00A	11/06	JAMB	EJD	DRAWING RELEASED	SS00266	
REV	DATE	BY	CHK	DESCRIPTION	ECN #	DRAWN BY JAMB CHK'D EJD SCALE 2:1 DRAWING NO. N41244BS_DC

Mouser Electronics

Authorized Distributor

Click to View Pricing, Inventory, Delivery & Lifecycle Information:

[Panduit:](#)

[MRT1S-C6](#) [MRT2S-C6](#) [MRT4S-C6](#) [MRT6S-C6](#)