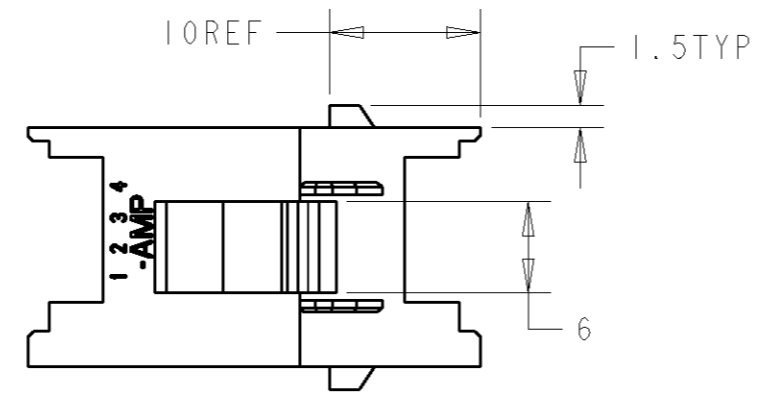
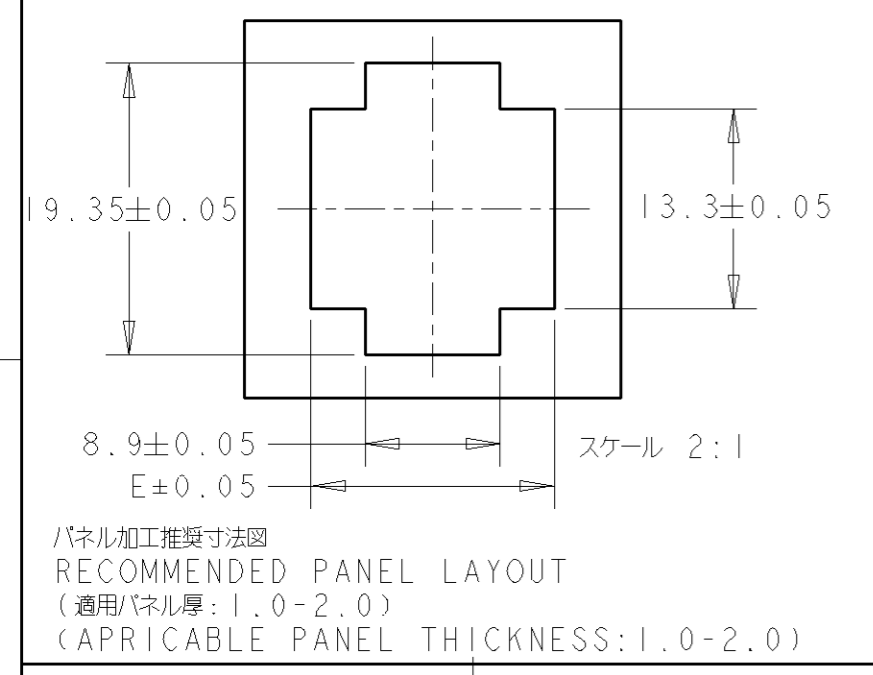
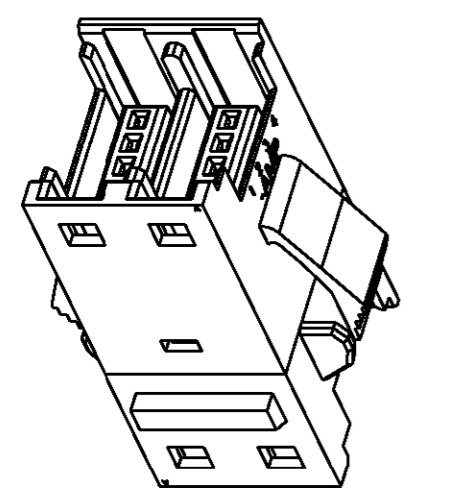
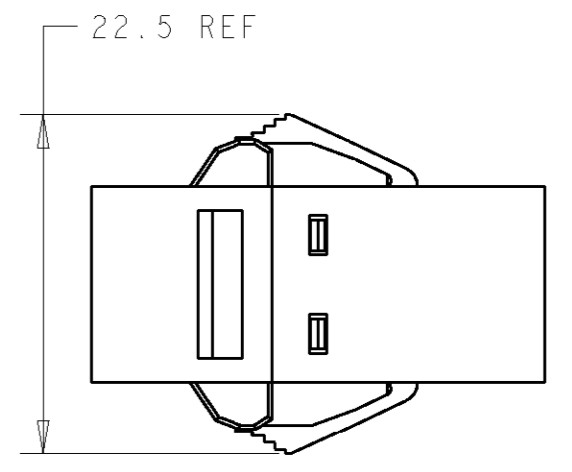
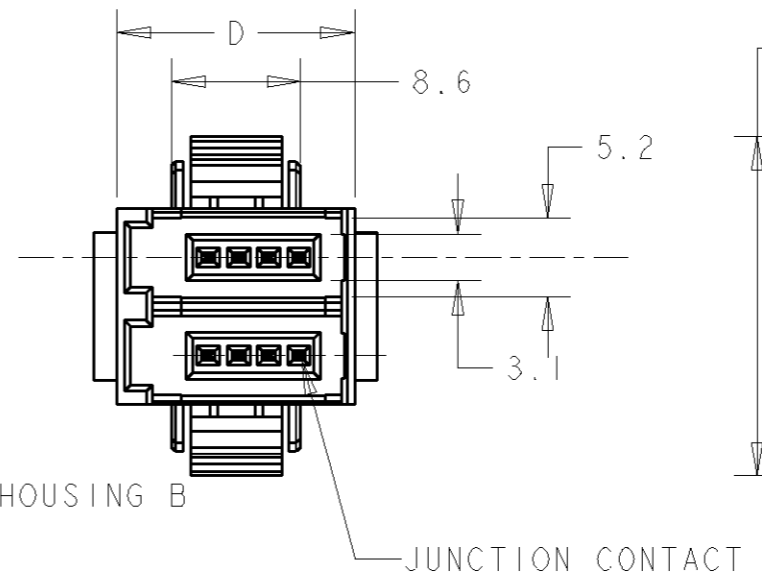
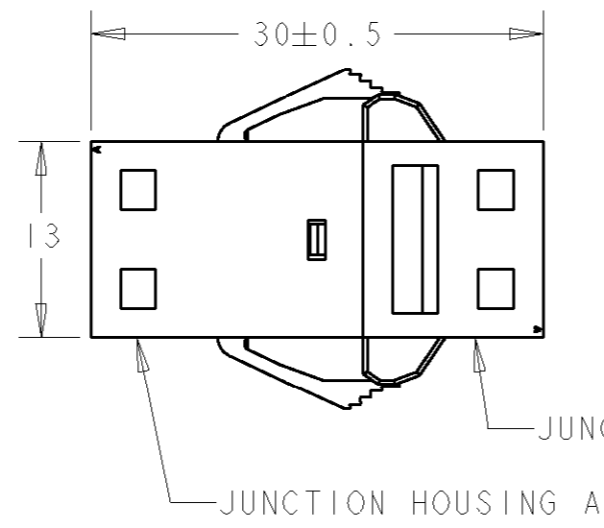
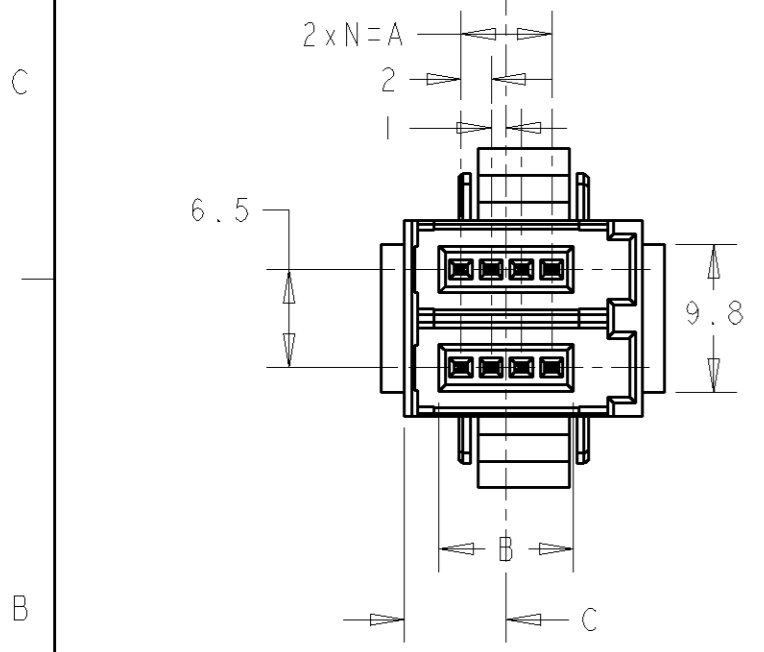


THIS DRAWING IS UNPUBLISHED. RELEASED FOR PUBLICATION
 © COPYRIGHT ALL RIGHTS RESERVED.

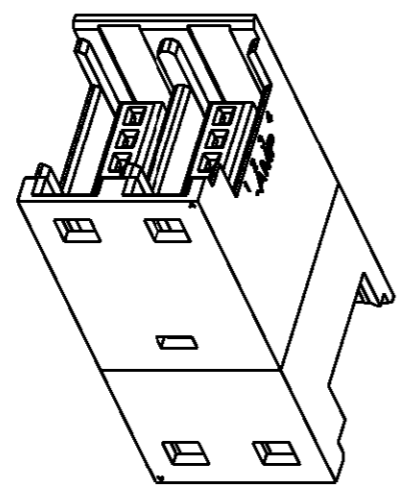
LOC	DIST	REVISIONS					
		P	LTR	DESCRIPTION	DATE	DWN	APVD
J	-	P		REVISED PER ECO-11-005294	11APR11	RK	HMR



注記
 1: 材料: ハウジング: ガラス入り熱可塑性ポリエステル樹脂, 94V-0, 黒
 コンタクト: 銅合金
 2: メッキ: コンタクト: 全面Ni下地
 接点部: 0.2µm MIN 金メッキ
 3: 金属パネルの場合, コネクタ取付方向を/パンチ加工方向にしてください。
 4: プラスチックパネルの場合, 穴端部にR無き様ご配慮ください。
 NOTE
 1: MATERIAL. HOUSING: GLASS FILED THERMPLASTIC, 94V-0, BLACK
 CONTACT. COPPER ALLOY
 2: FINISH. UNDERPLATE: Ni 1.27µm min.
 CONTACT AREA: Au 0.2µm min.
 3: INSERT CONN. FROM PRESS DIRECTION SIDE FOR METAL PANEL.
 4: EDGE OF THICKNESS WAY MUST NOT ROUND FOR MOLDED PANEL.



-1, -2 P/M TYPE
 スケール 2:1



5- -1, 5- -2 F/H TYPE
 スケール 2:1

F/H	16.1	15.8	6.75	8.9	6	3	4	5-1473574-4
F/H	14.1	13.8	5.75	6.9	4	2	3	5-1473574-3
P/M	16.1	15.8	6.75	8.9	6	3	4	1473574-4
P/M	14.1	13.8	5.75	6.9	4	2	3	1473574-3
TYPE	E	D	C	B	A	N	POS	PART NUMBER

DIMENSIONS: mm		TOLERANCES UNLESS OTHERWISE SPECIFIED: 0 PLC ± ±0.2 1 PLC ± ±3° 2 PLC ± ±3° 3 PLC ± ± 4 PLC ± ± ANGLES ± ±		DWN 10SEP2001 D. MITSUGI CHK 10SEP2001 S. MANABE APVD 10SEP2001 S. MANABE PRODUCT SPEC 108-5765 APPLICATION SPEC - WEIGHT -			
MATERIAL -		FINISH -		NAME JUNCTION BOX (4D) FOR E-CON - RITS CONN. -			
CUSTOMER DRAWING		SCALE 2:1		SIZE A3	CAGE CODE 00779	DRAWING NO. C-1473574	RESTRICTED TO -
				SHEET 1 OF 1		REV P	

Mouser Electronics

Authorized Distributor

Click to View Pricing, Inventory, Delivery & Lifecycle Information:

[TE Connectivity:](#)

[5-1473574-4](#)