

# Resistance thermometer measuring transducer - MCR-PT100-U - 2810340

Please be informed that the data shown in this PDF Document is generated from our Online Catalog. Please find the complete data in the user's documentation. Our General Terms of Use for Downloads are valid (<http://phoenixcontact.com/download>)



MCR temperature transducer, for Pt 100 2, 3 or 4-wire system, input: 0...100°C, 0...150°C, 0...200°C, 0...300°C -50...+50°C, -50...100°C, -50...150°C, -50...250°C, output signal 0...10 V

The figure shows version MCR-PT100-I-DC

## Your advantages

- Open circuit detection
- ZERO/SPAN adjustment
- Temperature range can be set via DIP switches
- With electrically isolated supply voltage as an option



## Key Commercial Data

Packing unit	1 pc
--------------	------

## Technical data

### Note

Utilization restriction	EMC: class A product, see manufacturer's declaration in the download area
-------------------------	---

### Dimensions

Width	17.5 mm
Height	99 mm
Depth	114.5 mm

### Ambient conditions

Ambient temperature (operation)	-20 °C ... 65 °C
Degree of protection	IP20

### Input data

Configurable/programmable	Yes
Sensor types (RTD) that can be used	Pt 100 (IEC 60751/EN 60751)

# Resistance thermometer measuring transducer - MCR-PT100-U - 2810340

## Technical data

### Input data

Sensor input current	approx. 1 mA
Temperature measuring range	0 °C ... 300 °C (0 ... 100/150/200/300)
	-50 °C ... 250 °C (-50 ... 50/100/150/250)
Connection technology	2, 3, 4-wire
Connection method	Pluggable screw connection

### Output data

Output name	Voltage output
Voltage output signal	0 V ... 10 V
Max. output voltage	15 V
Output voltage with wire break	> 11 V
Load/output load voltage output	≥ 10 kΩ

### Power supply

Supply voltage range	20 V DC ... 30 V DC
Max. current consumption	20 mA

### Connection data

Connection method	Pluggable screw connection
Conductor cross section solid min.	0.2 mm <sup>2</sup>
Conductor cross section solid max.	2.5 mm <sup>2</sup>
Conductor cross section AWG min.	24
Conductor cross section AWG max.	14
Conductor cross section flexible min.	0.2 mm <sup>2</sup>
Conductor cross section flexible max.	2.5 mm <sup>2</sup>
Stripping length	8 mm
Screw thread	M3

### General

No. of channels	1
Maximum transmission error	≤ 0.4 % (of final value)
Maximum temperature coefficient	≤ 0.02 %/K
Limit frequency (3 dB)	30 Hz
Alignment zero	± 5 %
Alignment span	± 5 %
Step response (10-90%)	11 ms
Test voltage power supply/signal	750 V AC (50 Hz, 1 min.)
Color	green
Housing material	Polyamide PA non-reinforced
Mounting position	any
Conformance	CE-compliant
UL, USA/Canada	UL 508 Recognized

# Resistance thermometer measuring transducer - MCR-PT100-U - 2810340

## Technical data

### Standards and Regulations

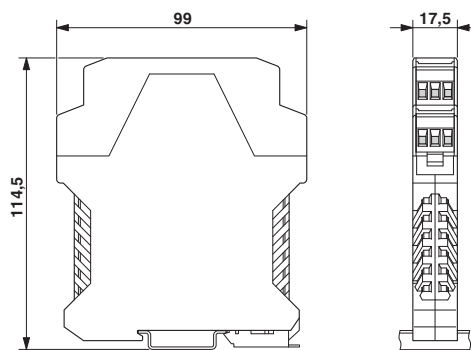
Connection in acc. with standard	CUL
Conformance	CE-compliant
UL, USA/Canada	UL 508 Recognized

### Environmental Product Compliance

China RoHS	Environmentally Friendly Use Period = 50
	For details about hazardous substances go to tab "Downloads", Category "Manufacturer's declaration"

## Drawings

Dimensional drawing



Phoenix Contact 2018 © - all rights reserved  
<http://www.phoenixcontact.com>

PHOENIX CONTACT GmbH & Co. KG  
Flachsmarktstr. 8  
32825 Blomberg  
Germany  
Tel. +49 5235 300  
Fax +49 5235 3 41200  
<http://www.phoenixcontact.com>

# Mouser Electronics

Authorized Distributor

Click to View Pricing, Inventory, Delivery & Lifecycle Information:

[Phoenix Contact:](#)

[2810340](#)