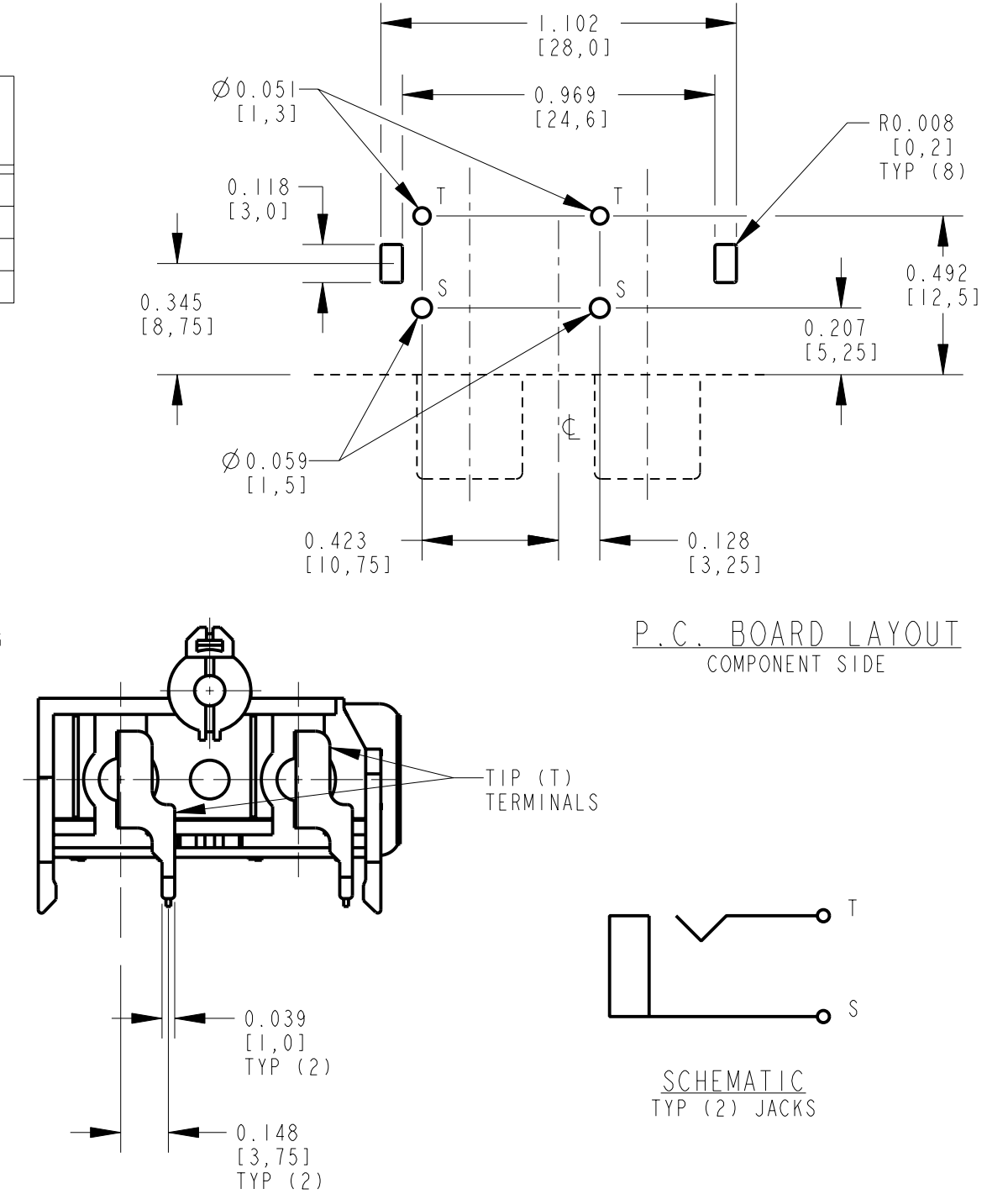
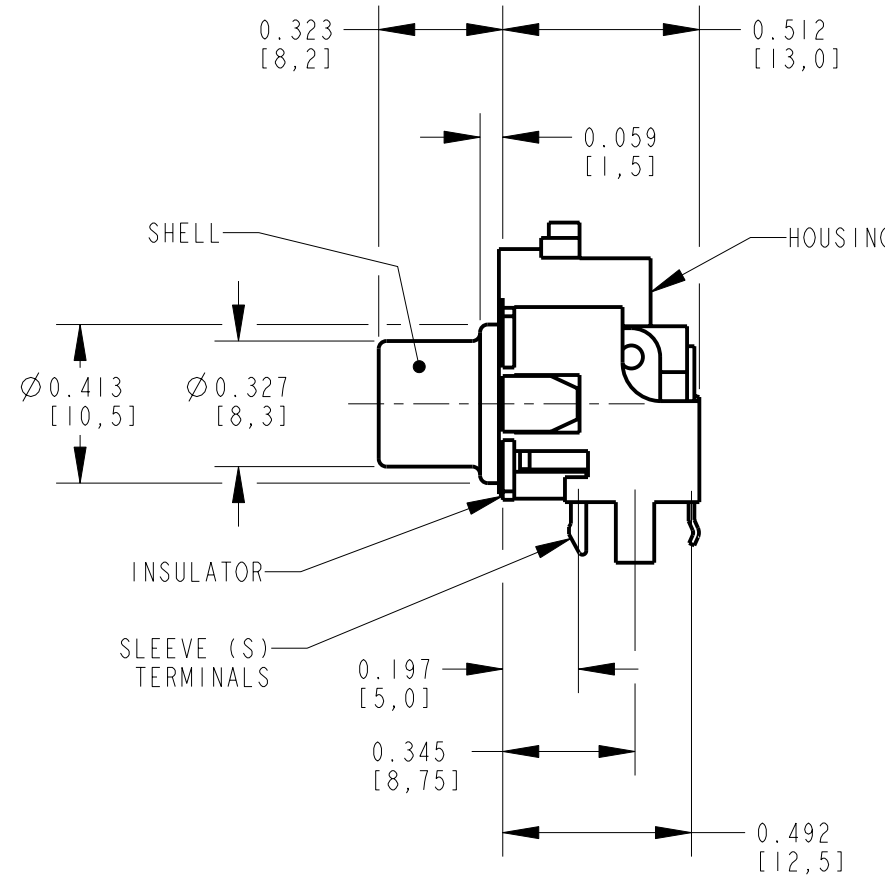
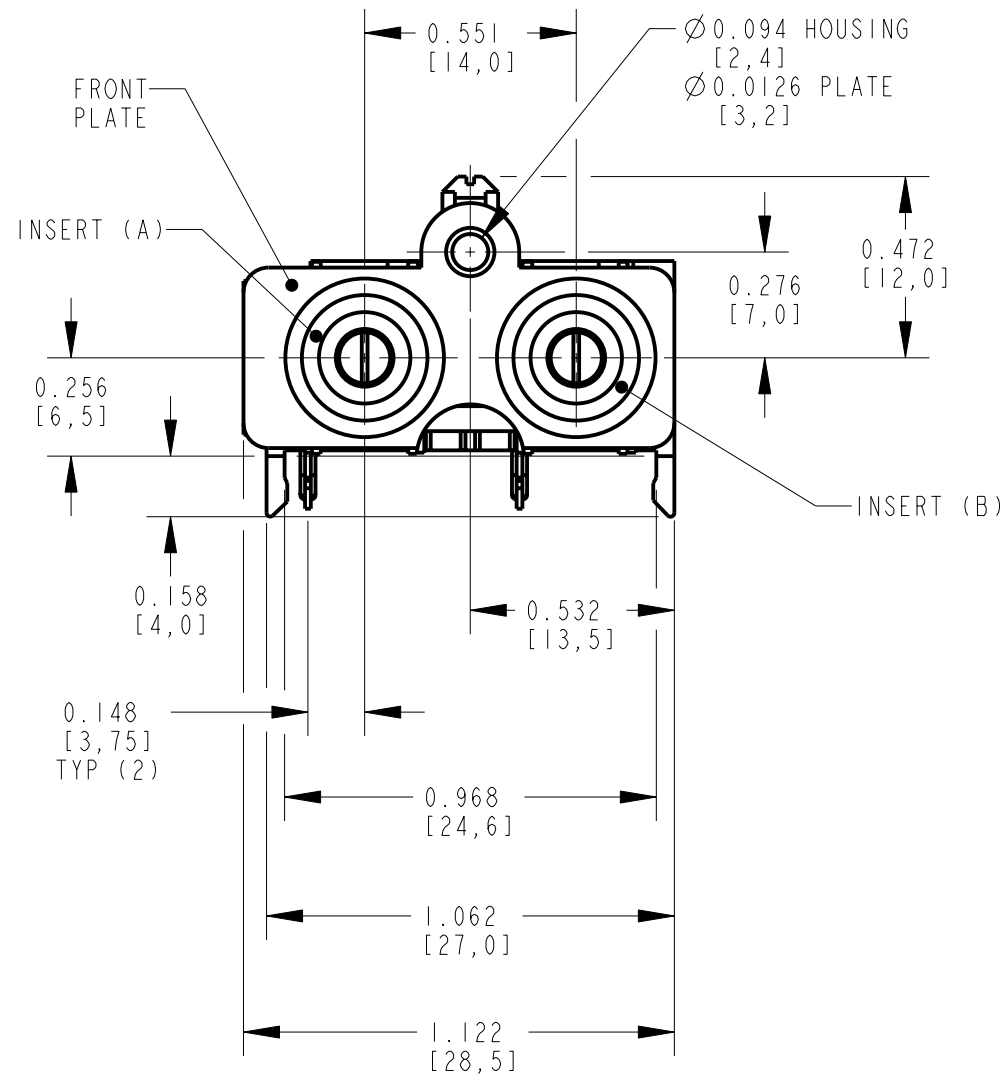


NOTES:

- ALL DIMENSIONS ARE REFERENCE.
- MATERIALS:
 HOUSING: ABS, UL-94HB
 INSULATOR: ABS, UL-94HB
 SHELL & SLEEVE TERMINALS: COPPER ALLOY,
 NICKEL OR GOLD PLATED
 TIP TERMINALS: COPPER ALLOY, TIN PLATED
 FRONT PLATE: COPPER ALLOY, NICKEL PLATED
- THIS PART IS RoHS COMPLIANT

PART NUMBER	INSERT (A) COLOR	INSERT (B) AND HOUSING COLOR	SHELL AND SLEEVE TERMINAL FINISH
PJRAS2XIS01X	RED	WHITE	NICKEL PLATED
PJRAS2XIS01AUX	RED	WHITE	GOLD PLATED
PJRAS2XIS02X	WHITE	RED	NICKEL PLATED
PJRAS2XIS02AUX	WHITE	RED	GOLD PLATED



CUSTOMER DRAWING

REV	ECO NUMBER	DATE	BY	APVD
A	25181	1-13-06	JL	TJK

REVISIONS

★ STAR SYMBOL DENOTES CRITICAL DIMENSION

UNLESS OTHERWISE SPECIFIED

- ALL DIMENSIONS IN INCHES
 - TWO PLACE DECIMALS ±0.01
 - THREE PLACE DECIMALS ±0.005
 - ANGLES ±1°
 - ALL DIA. CONCENTRIC WITHIN 0.005 T.I.R.
- FEATURES ON THE SAME CENTERLINE MUST BE ALIGNED WITHIN ±0.002
- REMOVE ALL BURRS

DO NOT SCALE DRAWING

THIS DRAWING DESCRIBES A DESIGN CONSIDERED PROPRIETARY IN NATURE, DEVELOPED AND MANUFACTURED BY SWITCHCRAFT INC. AND IS RELEASED ON A CONFIDENTIAL BASIS FOR IDENTIFICATION PURPOSES ONLY.

SIZE	WIDTH	MULT	LBS/M	TEMPER
FINISH		MATERIAL		
SPEC No.		SPEC No.		
FIRST USED ON		SCALE		
		2:1		
DATE DRAWN	BY	CHKD	APVD	
13-Jan-06	JL	TJK	TJK	
		1-13-06	1-13-06	
NAME			PART No.	REV
PHONO JACK, RIGHT ANGLE, 2 POS. SCREW MOUNT, SHIELDED, RoHS			PJRAS2XIS_-X SERIES	A

Switchcraft[®]

SHEET | OF |

Mouser Electronics

Authorized Distributor

Click to View Pricing, Inventory, Delivery & Lifecycle Information:

[Switchcraft:](#)

[PJRAS2X1S01AUX](#) [PJRAS2X1S01X](#) [PJRAS2X1S02](#) [PJRAS2X1S02AUX](#)