

TECHNICAL CHARACTERISTICS

MATERIAL  
 INSULATOR: NYLON 9T  
 FLAMABILITY RATING: UL94-V0  
 COLOR: BEIGE  
 CONTACT MATERIAL: COPPER ALLOY  
 CONTACT TYPE: STAMPED  
 CONTACT PLATING: TIN  
 QUALITY CLASS: 25 MATING CYCLES  
 PITCH: 2.00 MM

ENVIRONMENTAL  
 OPERATING TEMPERATURE: -25 UP TO 85°C  
 COMPLIANCE: LEAD FREE AND ROHS

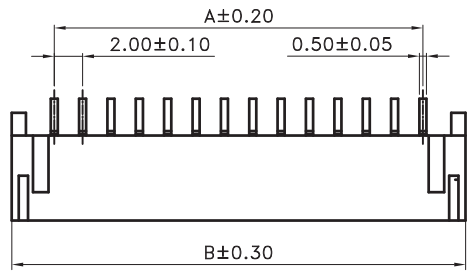
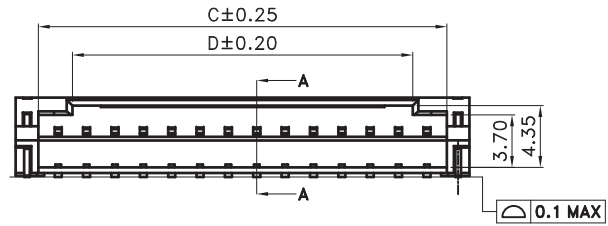
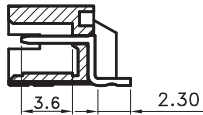
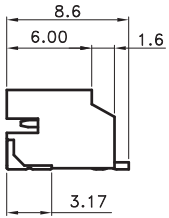
ELECTRICAL  
 CURRENT RATING: 2 A  
 WORKING VOLTAGE: 100 VAC  
 INSULATOR RESISTANCE: >1000 MOHM  
 DIELECTRIC WITHSTANDING VOLTAGE: 800 VAC/MN  
 CONTACT RESISTANCE: 20 mOHM MAX

STANDARD  
 AEC-Q200 CERTIFIED: E323964

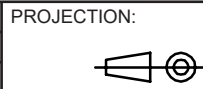
SOLDERING  
 JEDEC LEAD FREE REFLOW SOLDERING

PACKAGING  
 TAPE AND REEL

Poles	Dimensions(mm)			
	A	B	C	D
2	2.00	8.00	4.80	1.00
3	4.00	10.00	6.80	2.00
4	6.00	12.00	8.80	4.00
5	8.00	14.00	10.80	6.00
6	10.00	16.00	12.80	8.00
7	12.00	18.00	14.80	10.00
8	14.00	20.00	16.80	12.00
9	16.00	22.00	18.80	14.00
10	18.00	24.00	20.80	16.00
11	20.00	26.00	22.80	18.00
12	22.00	28.00	24.80	20.00
13	24.00	30.00	26.80	22.00



RoHS Compliant			
K	01-FEV-18	CORRECTION PCN	AK
J	22-DEC-17	PCN	AK
I	09-DEC-16	TPK	AK
H	29-JUL-14	GENERAL UPDATE	AS
REV	DATE	FILE	BY



GENERAL TOLERANCE  
 .X = +/- 0.2  
 .XX = +/- 0.15

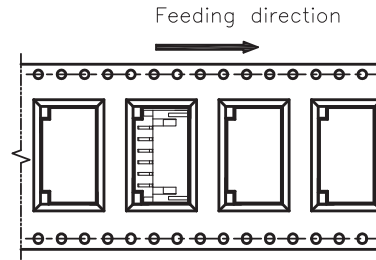
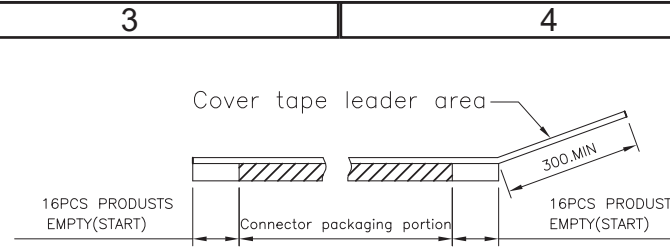
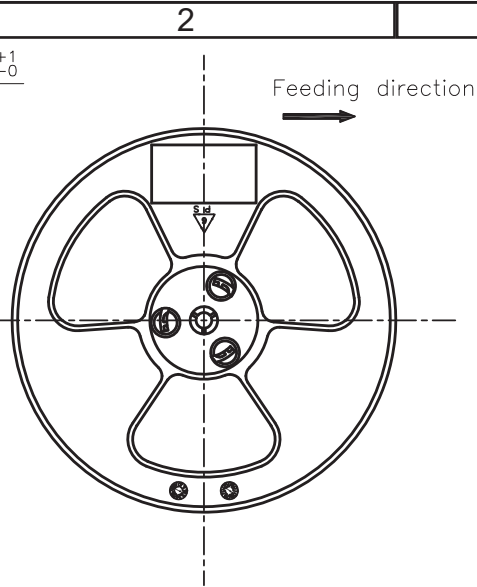
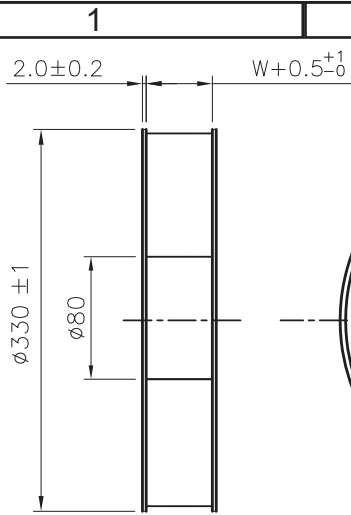


APPROVAL: BBu

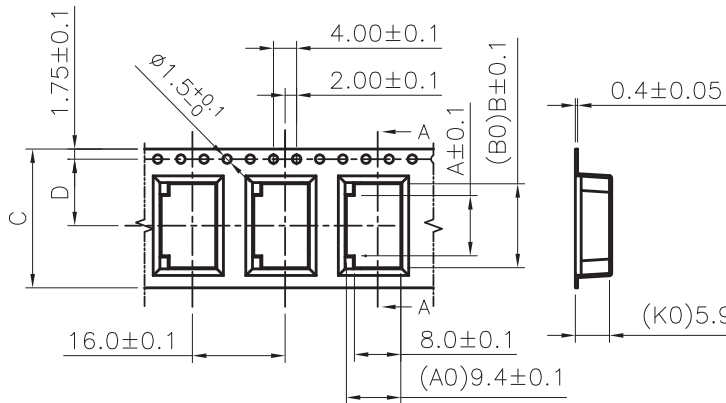
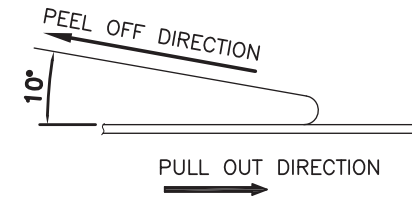
UNIT: MM  
 SCALE:  
 SHEET: 1/4  
 DRAW: AS

DESCRIPTION: 2.00 MM SMT MALE HORIZONTAL SHROUDED HEADER  
 WERI PART NO: 620 1xx 131 822

SIZE  
**A4**

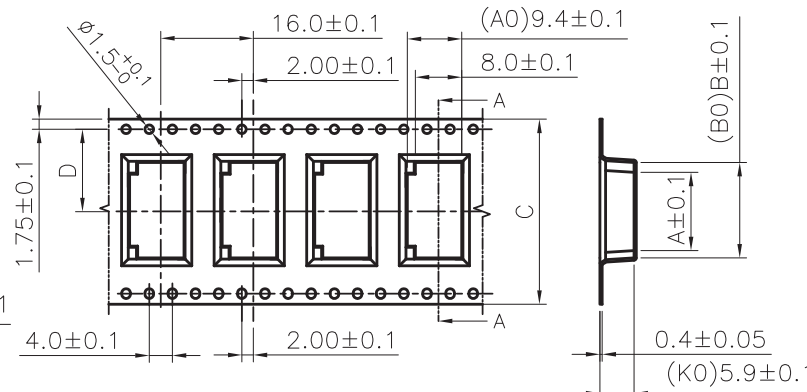


- Q' ty : 650 Pcs / Reel
- Length:  $\geq 12.01\text{m/Reel}$



Poles at 2~5

SECTION A-A

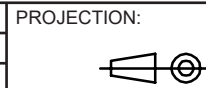


Poles at 6~16

SECTION A-A

Poles	Dimension(mm)			
	A	B	C	D
2	4.4	8.5	24.0	11.5
3	6.4	10.5	24.0	11.5
4	8.4	12.5	24.0	11.5
5	10.4	14.5	24.0	11.5
6	12.4	16.5	32.0	14.2
7	14.4	18.5	32.0	14.2
8	16.4	20.5	44.0	20.2
9	18.4	22.5	44.0	20.2
10	20.4	24.5	44.0	20.2
11	22.4	26.5	44.0	20.2
12	24.4	28.5	44.0	20.2
13	26.4	30.5	44.0	20.2
14	28.4	32.5	44.0	20.2
15	30.4	34.5	56.0	26.2
16	32.4	36.5	56.0	26.2

RoHS Compliant			
G			
F			
E			
D			
C			
B			
A			
REV	DATE	FILE	BY



APPROVAL: BBu

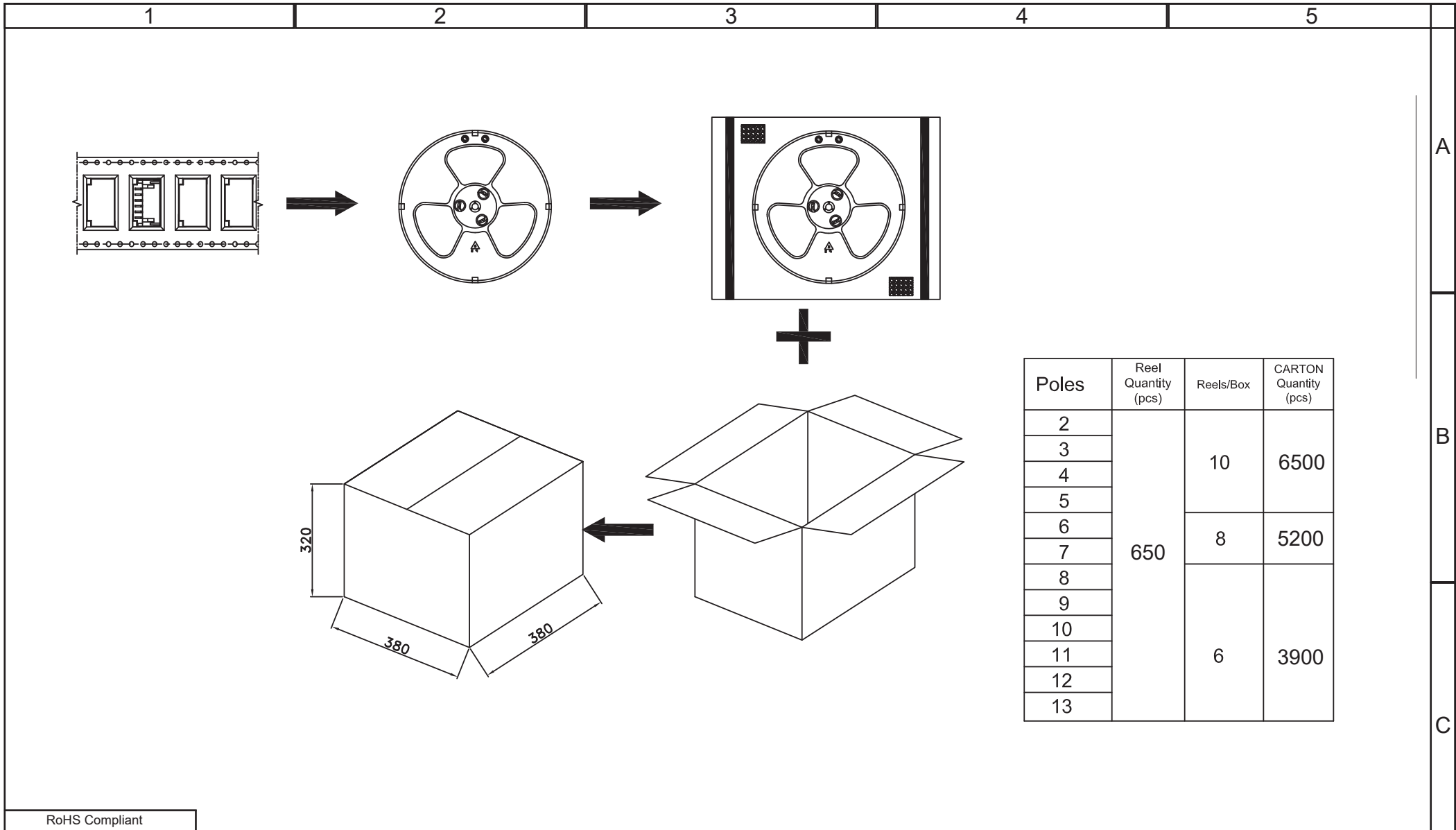
GENERAL TOLERANCE  
 .X =  $\pm 0.2$   
 .XX =  $\pm 0.15$



UNIT: MM  
 SCALE:  
 SHEET: 2/4  
 DRAW: AS

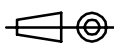
DESCRIPTION: 2.00 MM SMT MALE HORIZONTAL SHROUDED HEADER  
 WERI PART NO: 620 1xx 131 822

SIZE  
**A4**



Poles	Reel Quantity (pcs)	Reels/Box	CARTON Quantity (pcs)
2	650	10	6500
3			
4			
5		8	5200
6			
7			
8	650	6	3900
9			
10			
11			
12			
13			

RoHS Compliant			
G			
F			
E			
D			
C			
B			
A			
REV	DATE	FILE	BY

PROJECTION:  


GENERAL TOLERANCE  
 .X = +/- 0.2  
 .XX = +/- 0.15



APPROVAL: BBu

UNIT: MM  
 SCALE:  
 SHEET: 3/4  
 DRAW: AS

DESCRIPTION: 2.00 MM SMT MALE HORIZONTAL SHROUDED HEADER  
 WERI PART NO: 620 1xx 131 822

SIZE  
**A4**

1

2

3

4

5

## Cautions and Warnings:

This electronic component is designed and developed with the intention for use in general electronics equipments.

Before incorporating the components into any equipments in the field such as aerospace, aviation, nuclear control, submarine, transportation, (automotive control, train control, ship control), transportation signal, disaster prevention, medical, public information network etc. where higher safety and reliability are especially required or if there is possibility of direct damage or injury to human body, Würth Elektronik must be asked for a written approval.

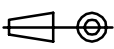

In addition, even electronic component in general electronic equipments, when used in electrical circuits that require high safety, reliability functions or performance, the sufficient reliability evaluation-check for the safety must be performed before by the user before usage.

A

B

C

RoHS Compliant

G				PROJECTION: 	GENERAL TOLERANCE .X = +/- 0.2 .XX = +/- 0.15		
F							
E							
D							
C				APPROVAL: JC	UNIT: MM	DESCRIPTION: DISCLAIMER	SIZE <b>A4</b>
B					SCALE:		
A	10-SEP-14	PDF	QL		SHEET: 4/4	WERI PART NO: DISCLAIMER	
REV	DATE	FILE	BY		DRAW: QL		

D

# Mouser Electronics

Authorized Distributor

Click to View Pricing, Inventory, Delivery & Lifecycle Information:

[Wurth Electronics:](#)

[620103131822](#) [620105131822](#) [620102131822](#) [620104131822](#)