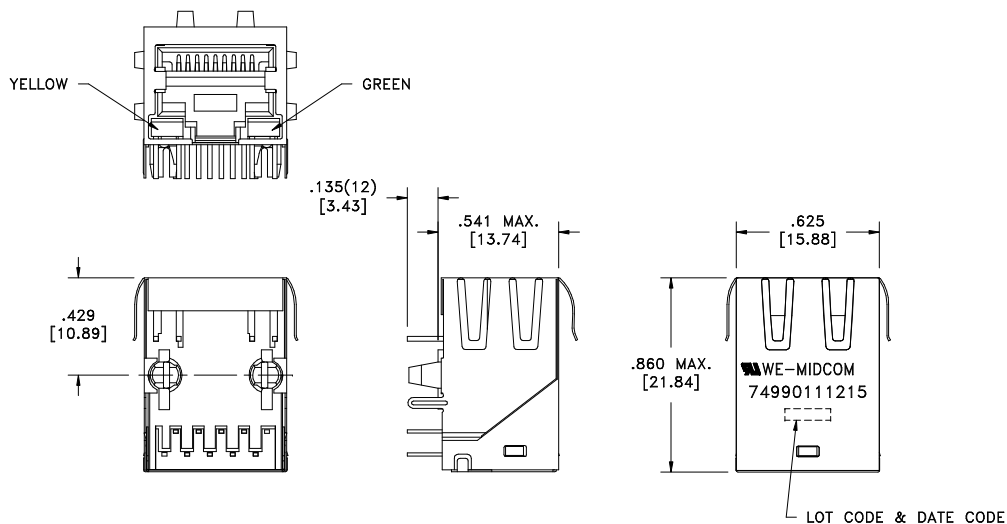


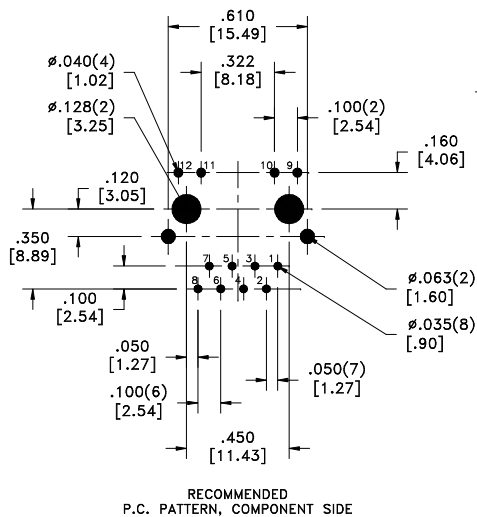
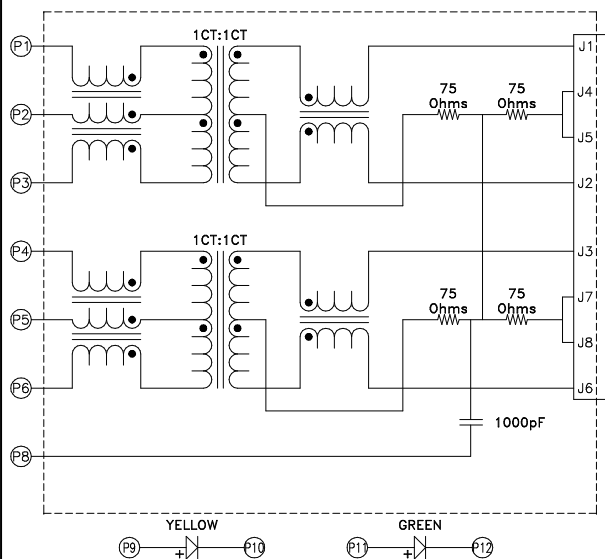
| | | |
|-------------------|------|---------------|
| CUSTOMER TERMINAL | RoHS | LEAD(Pb)-FREE |
| Sn100% | Yes | Yes |



ELECTRICAL SPECIFICATIONS @ 25°C unless otherwise noted:



| PARAMETER | TEST CONDITIONS | VALUE |
|-----------------------|----------------------------------|--------------------|
| INDUCTANCE | J1-J2 100kHz, 100mVAC, 8mADC, Lp | 350uH min. |
| INDUCTANCE | J3-J6 100kHz, 100mVAC, 8mADC, Lp | 350uH min. |
| DIELECTRIC | P1-J1 tie(P3+P4) | 1500Vrms, 1 minute |
| URNS RATIO | (P1-P3):(J1-J2) | 1:1, ±2% |
| URNS RATIO | (P4-P6):(J3-J6) | 1:1, ±2% |
| INSERTION LOSS | 1M - 100MHz | -1.0dB max. |
| RETURN LOSS | 1M - 30MHz | -18dB min. |
| RETURN LOSS | 30M - 45MHz | -16dB min. |
| RETURN LOSS | 45M - 60MHz | -14dB min. |
| RETURN LOSS | 60M - 80MHz | -12dB min. |
| CROSSTALK | 1M - 100MHz | -35dB min. |
| COMMON MODE REJECTION | 1M - 100MHz | -35dB min. |
| COMMON MODE REJECTION | 100M - 500MHz | -25dB min. |



GENERAL SPECIFICATIONS:
OPERATING TEMPERATURE RANGE: 0°C to +70°C.

| REV. | DATE |
|------|------|
| 6A | 9/08 |

Packaging Specifications
Method: Tube
PKG-0524
www.midcom-inc.com

Unless otherwise specified:
Tolerances: Fractions: ±1/64
Angles: ±1° Decimals: ±.010 [.25]
This drawing is dual dimensioned. Dimensions in brackets are in millimeters.

DRAWING TITLE
TRANSFORMER
RJ45-T8
eiSos p/n: 7499011215



DRAWING NO.
7499011215

AGENCY NUMBER
UL60950-1 E205930

REVISIONS: SEE SHEET 1

SCALE ---

SHEET 2 OF 6

Mouser Electronics

Authorized Distributor

Click to View Pricing, Inventory, Delivery & Lifecycle Information:

[Wurth Elektronik:](#)

[74990111215](#)