

PRODUCT NUMBER  
10075024-XXX-XXXLF

PLATING

S = 0.38µm GOLD ON CONTACT AREA  
2µm MIN MATTE TIN ON TAIL

G = 0.76µm GOLD ON CONTACT AREA  
2µm MIN MATTE TIN ON TAIL

F = GOLD FLASH ON CONTACT AREA  
2µm MIN MATTE TIN ON TAIL

LEAD FREE  
RoHS COMPATIBLE  
NOTE 6

PACKAGING  
NOTE 5

POSITIONS PER ROW  
02 TO 25

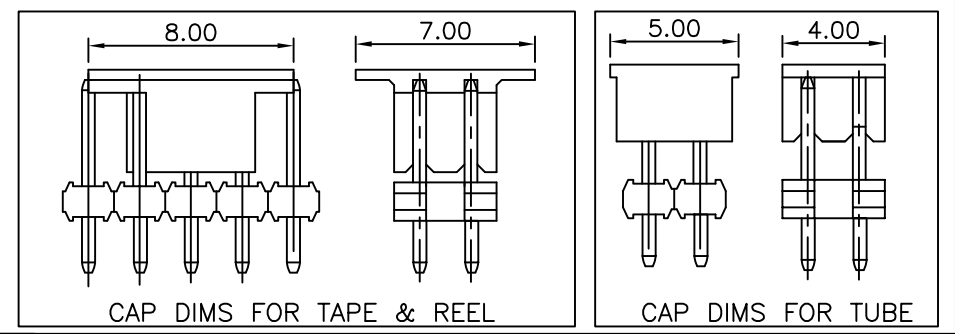
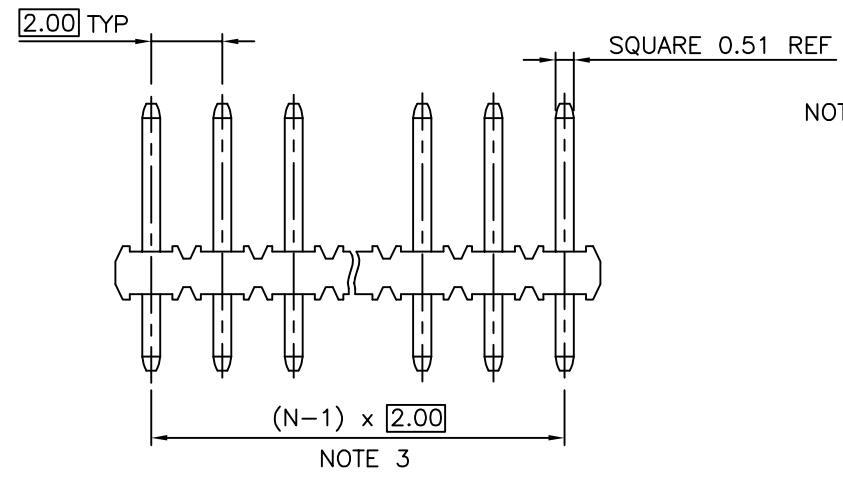
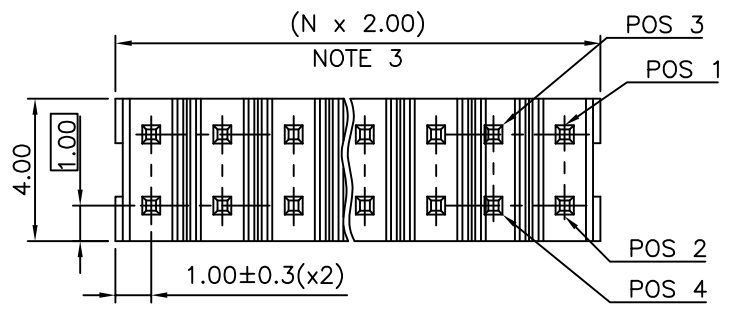
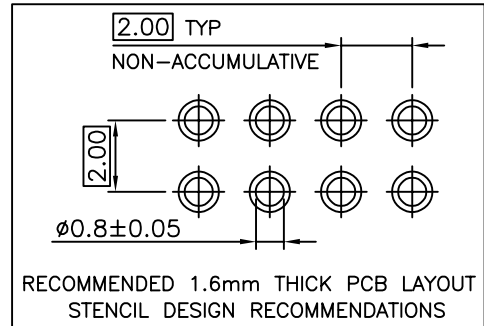
SEE NOTE 9

PIN STYLE	DIM "A" ±0.25	DIM "B" ±0.20
01	4.00	2.00
02	6.90	2.00
03	5.80	2.00
04	6.00	3.00
05	5.70	2.30
06	2.00	3.00
07	4.00	2.50

1.27µm MIN NICKEL UNDERPLATING

- NOTES:
- MATERIAL HOUSING: HIGH TEMP. THERMOPLASTIC UL 94V-0, COLOR BLACK
  - MATERIAL TERMINAL: COPPER ALLOY
  - TO DETERMINE DIMENSIONS:  
N = NUMBER OF POSITIONS PER ROW
  - 7N MIN. PIN RETENTION IN EITHER DIRECTION.
  - PACKAGING:  
= STANDARD PACKAGING IN POLYBAG  
U = TUBE WITHOUT PICK UP CAP  
AVAILABLE FROM 03 TO 25 POS PER ROW  
P = TUBE WITH PICK UP CAP  
AVAILABLE FROM 03 TO 25 POS PER ROW  
A = TAPE AND REEL WITH PICK UP CAP, AS AVAILABLE.
  - RoHS COMPATIBLE PRODUCT SPECIFICATIONS
    - PLATING:  
- "LF" MEANS THE PRODUCT IS LEAD-FREE,  
2µm MINIMUM MATTE TIN OVER 1.27µm  
MINIMUM NICKEL UNDERPLATE.
    - MANUFACTURING PROCESS COMPATIBILITY  
- THE HOUSING WILL WITHSTAND EXPOSURE TO  
260°C PEAK TEMPERATURE FOR 30 SECONDS MAX  
IN A CONVECTION, INFRA-RED, OR VAPOR PHASE  
OR REFLOW OVEN
    - LABELLING:  
- MEETS PACKAGING SPECS AS PER GS-14-920
    - LEGAL STATEMENT: SEE GS-47-0004
  - OPTIONAL LETTER:  
FOR FULL LOADED PRODUCT USE -  
FOR POLARIZED VERSIONS, SEE TABLE

OPTIONAL LETTER FOR POLARIZED VERSION	MISSING PIN POSITION
A	20
B	9



mat'l. code		surface	tolerance	projection	product family
ltr ecn no dr date		ISO 1302	ISO 406 ISO 1101		MINITEK
		tolerances unless otherwise specified		mm	title
		angles	linear	scale 5:1	UNSHR.HEADER
K	F-26013	DDE	17.02.02		2.00 mm VERTICAL PIP
L	F-27930	DDE	17.09.11	dr	dwg no
M	F-47179	DDE	23.02.02	engr	sheet 1 of 1
		chr	J.COMPAGNON	07.01.04	size
		appd	JM.C	07.01.04	10075024
				JM.C	A3
sheet index		revision sheet			type CUSTOMER Drawing