

MICRO SWITCH

A DIVISION OF MILWAUKEE VALVE & REGULATOR COMPANY
FREDERICK, WISCONSIN

FED. MFR. CODE 91929

SWITCH — ENCLOSED

CATALOG LISTING
51ML10-E1

THIS DRAWING COVERS A PROPRIETARY ITEM AND IS THE PROPERTY OF MICRO SWITCH, A DIVISION OF HONEYWELL. THIS DRAWING IS NOT TO BE COPIED OR USED WITHOUT THE APPROVAL OF MICRO SWITCH.



REPLACES: 51ML10-E1
RELEASE NO. SR 5069

DRAWING NUMBER: M 51ML10-E1

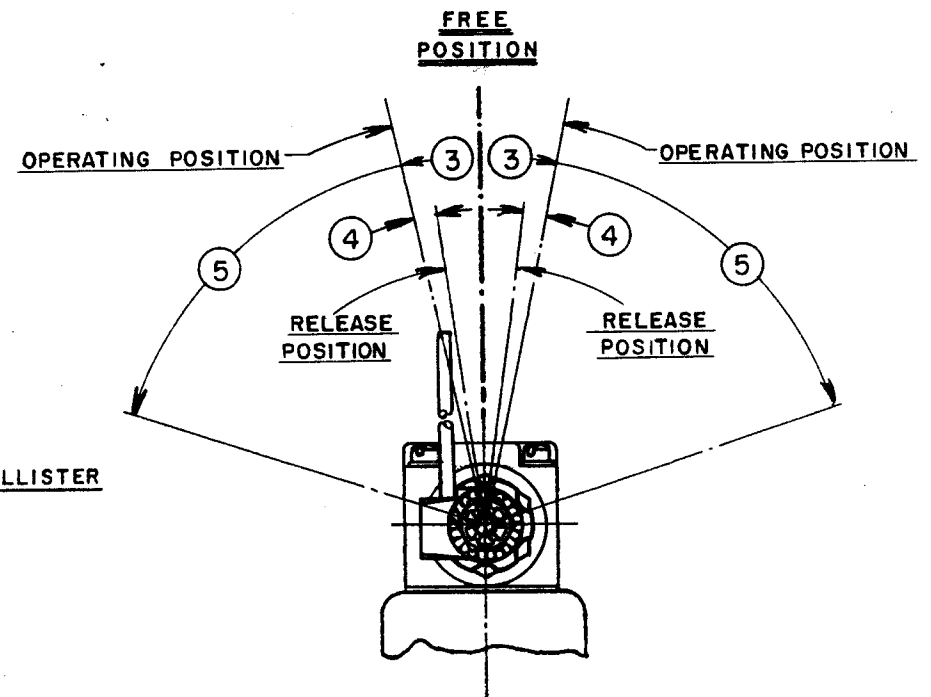
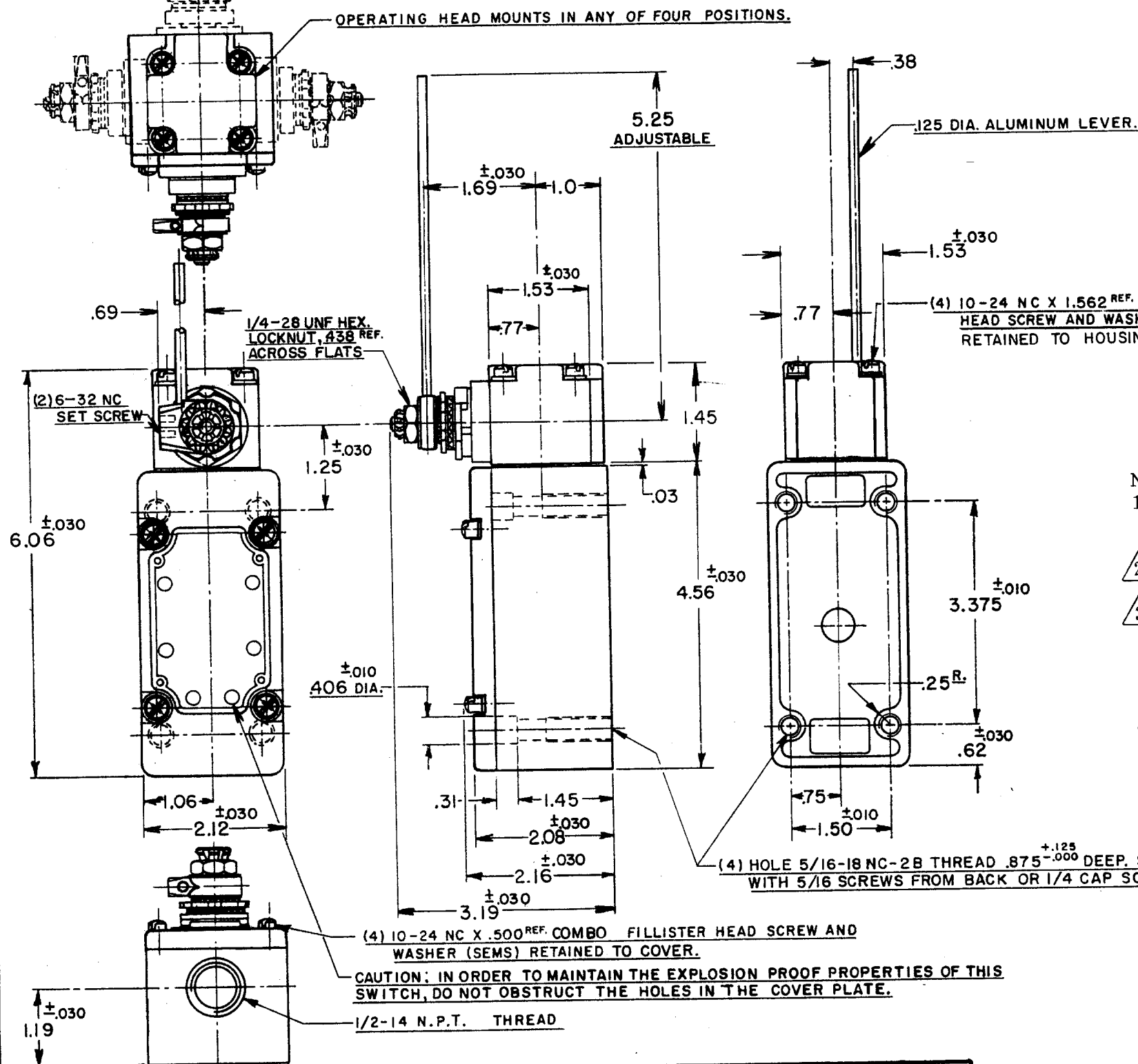
ISSUE: 12

REVISIONS:

A	C052194	J A P	26 SEPT 83
B	C058367	J A S	11 NOV 85
C	655051-C	T A D	6 JAN 86
D	CO 63739	D J S	15 JUN 88
E	CO 74287	G J W	17 APR 93

CHECK: 30 SEPT 83

74-963



- NOTES
- 1 - LISTED BY UNDERWRITERS LABORATORY, INC. FOR USE IN CLASS I, GROUPS C AND D VAPOR-AIR ATMOSPHERE, AND CLASS 2, GROUPS E, F AND G DUST-AIR ATMOSPHERE
 - 2 - SWITCH IS ASSEMBLED FOR ACTUATION IN CLOCKWISE DIRECTION ONLY
 - 3 - TO CONVERT SWITCH FOR ACTUATION IN THE COUNTER-CLOCKWISE DIRECTION ONLY, REMOVE THE HEAD AND SLIDE THE CAM TOWARD THE REAR OF THE HEAD SUFFICIENTLY TO DISENGAGE FROM THE FLATS ON THE SHAFT. ROTATE THE CAM 180° AND RE-ENGAGE THE CAM WITH THE FLATS ON THE SHAFT
 - 4 - LEVER MAY BE POSITIVELY LOCKED AT INTERVALS OF APPROX 0.4° (870 POSITIONS)
 - 5 - LEVER MAY BE ADJUSTED TO ACTUATE IN THE CLOCKWISE DIRECTION ONLY OR THE COUNTER-CLOCKWISE DIRECTION ONLY
 - 7 - IT IS ESSENTIAL THAT THE CONDUIT OPENING BE PROPERLY SEALED IN ORDER TO MAINTAIN THE EXPLOSION PROOF PROPERTIES

CHARACTERISTICS	ELECTRICAL DATA	SCALE 1/2 TO 1
OPERATING FORCE ——— 5 OZ. MAX.	CONTACT ARRANGEMENT	DO NOT SCALE PRINT
FULL OVERTRAVEL FORCE ——— 7 OZ. MAX.	S. P. D. T.	UNLESS OTHERWISE SPECIFIED
RELEASE FORCE ——— 3/4 OZ. MIN.		DIMENSIONS ARE IN INCHES
PRETRAVEL ——— ③ 12° MAX.	20 A-120, 240 OR 480 VAC; 3/4 H.P.-120 VAC	TOLERANCES ARE:
DIFFERENTIAL TRAVEL ——— ④ 4° MAX.	1 1/2 H.P.-240 VAC; 1/2 A-115 VDC; 1/4 A-230 VDC	ONE PLACE (.0) ±.030
OVERTRAVEL ——— ⑤ 60° MIN.	PILOT DUTY: 720VA-HEAVY DUTY	TWO PLACE (.00) ±.015
SWITCH-BASIC REPLACEMENT — IMK5	600 VAC MAX	THREE PLACE (.000) ±.005
		ANGLES ±
		WEIGHT

Mouser Electronics

Authorized Distributor

Click to View Pricing, Inventory, Delivery & Lifecycle Information:

[Honeywell:](#)

[51ML10-E1](#)