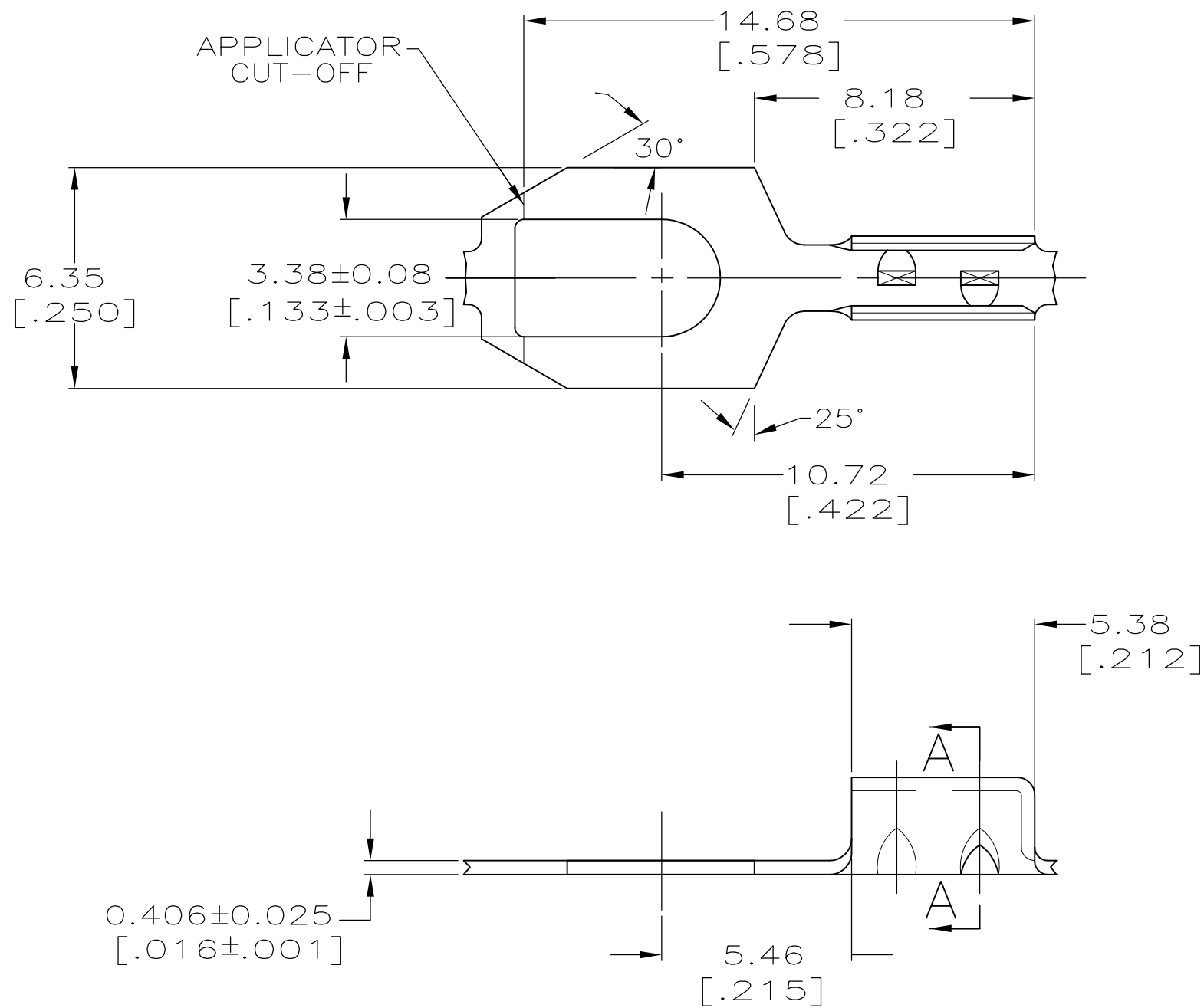
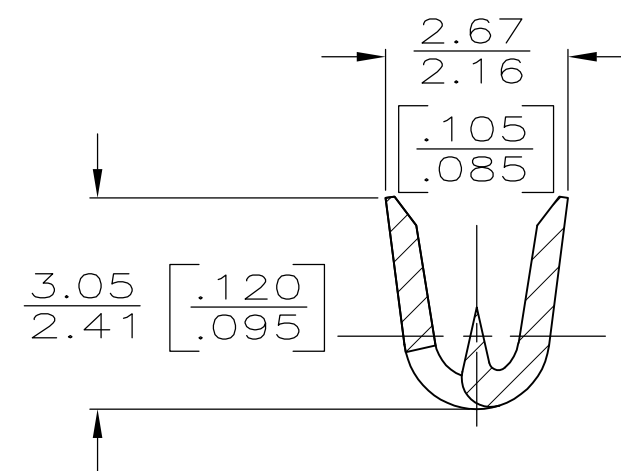


THIS DRAWING IS UNPUBLISHED. RELEASED FOR PUBLICATION
 © COPYRIGHT BY TYCO ELECTRONICS CORPORATION. ALL INTERNATIONAL RIGHTS RESERVED.

LOC	DIST	REVISIONS			
P	LTR	DESCRIPTION	DATE	DWN	APVD
AF	50	P	REVISD PER ECR-10-006099	07JUL10	HMR PD



1. CONTINUOUS STRIP ON REEL.



SECTION A-A
SCALE 10:1

1.14-1.27 DIA [.045-.050]	0.13 - 0.3mm ² [26-22] AWG	60234-2
INSULATION RANGE	WIRE RANGE	PART NO

THIS DRAWING IS A CONTROLLED DOCUMENT.		DWN P FORTNEY 5/13/91	Tyco Electronics Corporation Harrisburg, PA 17105-3608													
DIMENSIONS: mm [INCHES]		CHK JR RUTH 5/13/91	NAME													
TOLERANCES UNLESS OTHERWISE SPECIFIED:		APVD G YETTER 5/13/91	PRODUCT SPEC													
<table border="0"> <tr><td>0 PLC</td><td>± -</td></tr> <tr><td>1 PLC</td><td>± -</td></tr> <tr><td>2 PLC</td><td>± 0.38 [.015]</td></tr> <tr><td>3 PLC</td><td>± -</td></tr> <tr><td>4 PLC</td><td>± -</td></tr> <tr><td>ANGLES</td><td>± -</td></tr> </table>		0 PLC	± -	1 PLC	± -	2 PLC	± 0.38 [.015]	3 PLC	± -	4 PLC	± -	ANGLES	± -	APPLICATION SPEC		SPADE, INSULATION PIERCING
0 PLC	± -															
1 PLC	± -															
2 PLC	± 0.38 [.015]															
3 PLC	± -															
4 PLC	± -															
ANGLES	± -															
MATERIAL #1 HARD BRASS	FINISH TIN	WEIGHT -	SIZE A3	CAGE CODE 00779												
CUSTOMER DRAWING		DRAWING NO G-60234	RESTRICTED TO -													
		SCALE 6:1	SHEET 1 OF 1	REV P												

Mouser Electronics

Authorized Distributor

Click to View Pricing, Inventory, Delivery & Lifecycle Information:

[TE Connectivity:](#)

[60234-2](#)