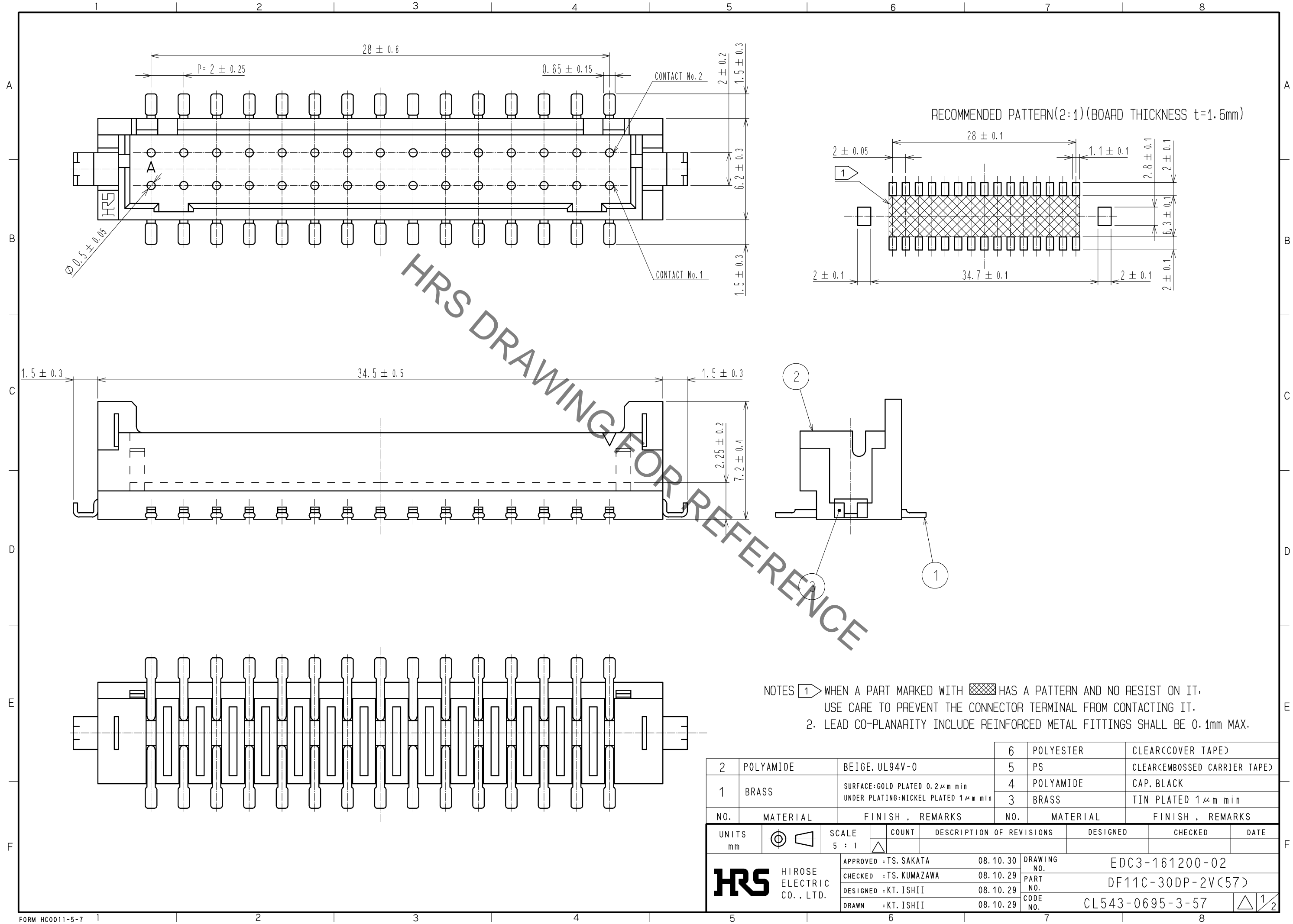


Oct.1.2020 Copyright 2020 HIROSE ELECTRIC CO., LTD. All Rights Reserved.
In case of consideration for using Automotive equipment / device which demand high reliability, kindly contact our sales window correspondents.



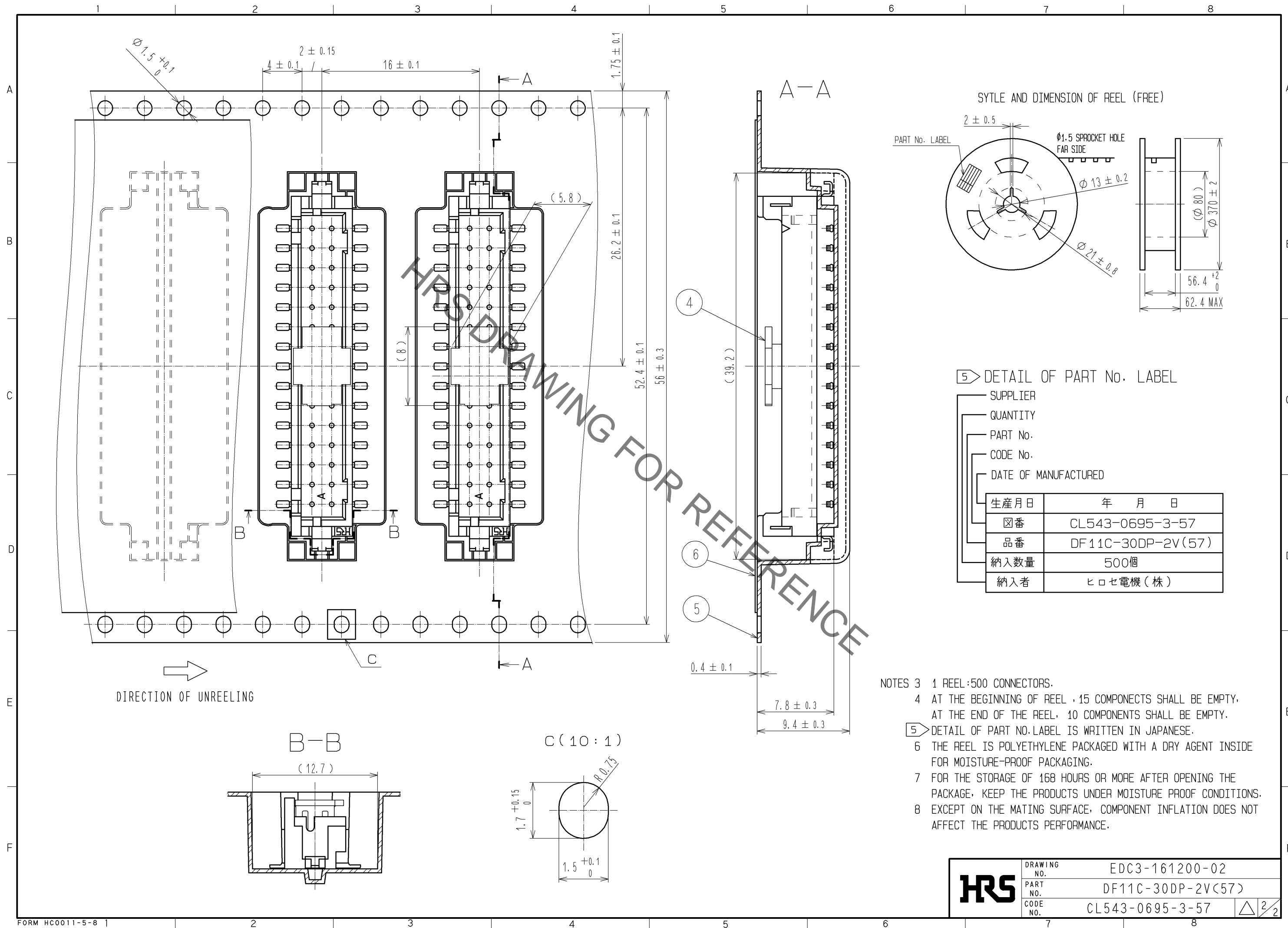
HRS DRAWING FOR REFERENCE

NOTES 1. WHEN A PART MARKED WITH HAS A PATTERN AND NO RESIST ON IT, USE CARE TO PREVENT THE CONNECTOR TERMINAL FROM CONTACTING IT.
2. LEAD CO-PLANARITY INCLUDE REINFORCED METAL FITTINGS SHALL BE 0.1mm MAX.

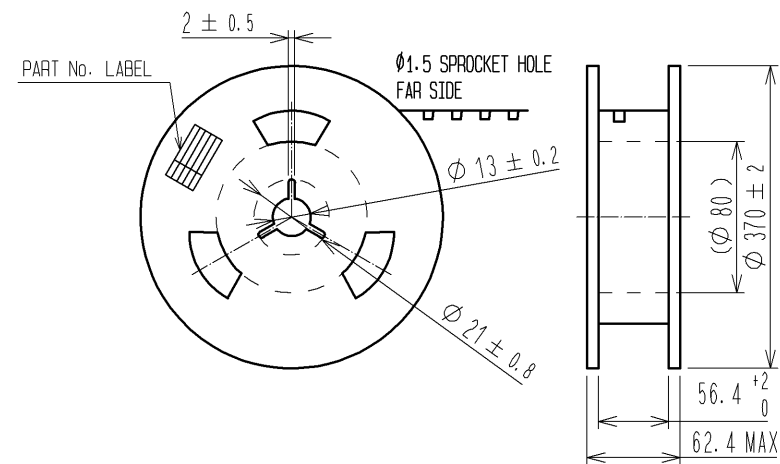
NO.	MATERIAL	FINISH . REMARKS	NO.	MATERIAL	FINISH . REMARKS
2	POLYAMIDE	BEIGE. UL94V-0	6	POLYESTER	CLEAR(COVER TAPE)
1	BRASS	SURFACE:GOLD PLATED 0.2μm min UNDER PLATING:NICKEL PLATED 1μm min	5	PS	CLEAR(EMBOSSED CARRIER TAPE)
			4	POLYAMIDE	CAP. BLACK
			3	BRASS	TIN PLATED 1μm min

UNITS	SCALE	COUNT	DESCRIPTION OF REVISIONS	DESIGNED	CHECKED	DATE
mm	5 : 1	△				
APPROVED : TS. SAKATA			08.10.30	DRAWING NO. EDC3-161200-02		
CHECKED : TS. KUMAZAWA			08.10.29	PART NO. DF11C-30DP-2V(57)		
DESIGNED : KT. ISHII			08.10.29	CODE NO. CL543-0695-3-57		
DRAWN : KT. ISHII			08.10.29	△ 1/2		

Oct.1.2020 Copyright 2020 HIROSE ELECTRIC CO., LTD. All Rights Reserved.
 In case of consideration for using Automotive equipment / device which demand high reliability, kindly contact our sales window correspondents.



STYLE AND DIMENSION OF REEL (FREE)



5) DETAIL OF PART No. LABEL

SUPPLIER	
QUANTITY	
PART No.	
CODE No.	
DATE OF MANUFACTURED	
生産月日	年 月 日
箱番	CL543-0695-3-57
品番	DF11C-30DP-2V(57)
納入数量	500個
納入者	ヒロセ電機(株)

- NOTES 3 1 REEL:500 CONNECTORS.
 4 AT THE BEGINNING OF REEL, 15 COMPONENTS SHALL BE EMPTY, AT THE END OF THE REEL, 10 COMPONENTS SHALL BE EMPTY.
 5) DETAIL OF PART No. LABEL IS WRITTEN IN JAPANESE.
 6 THE REEL IS POLYETHYLENE PACKAGED WITH A DRY AGENT INSIDE FOR MOISTURE-PROOF PACKAGING.
 7 FOR THE STORAGE OF 168 HOURS OR MORE AFTER OPENING THE PACKAGE, KEEP THE PRODUCTS UNDER MOISTURE PROOF CONDITIONS.
 8 EXCEPT ON THE MATING SURFACE, COMPONENT INFLATION DOES NOT AFFECT THE PRODUCTS PERFORMANCE.

HRS	DRAWING NO.	EDC3-161200-02
	PART NO.	DF11C-30DP-2V(57)
	CODE NO.	CL543-0695-3-57
		△ 2/2