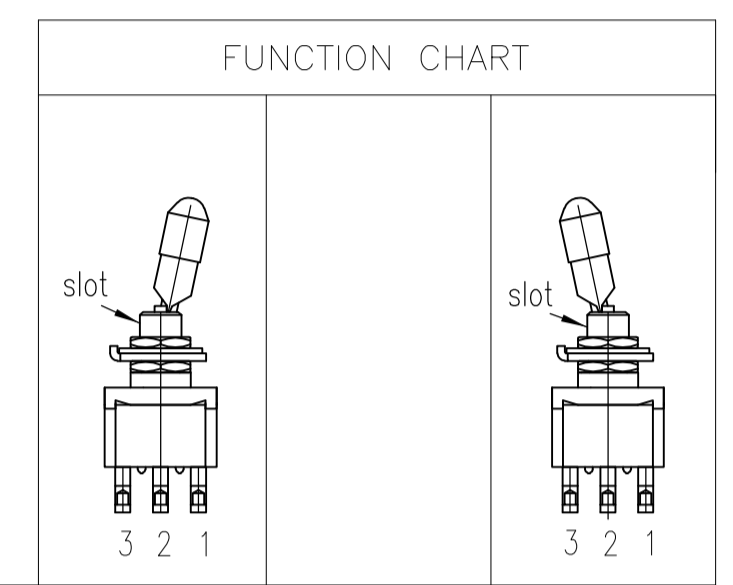
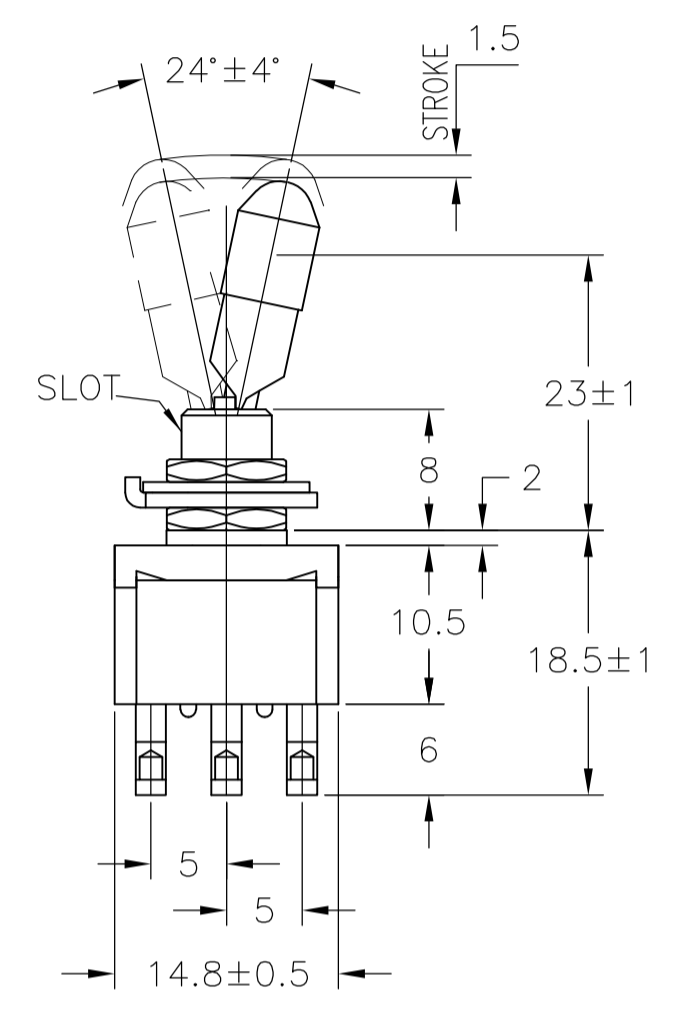
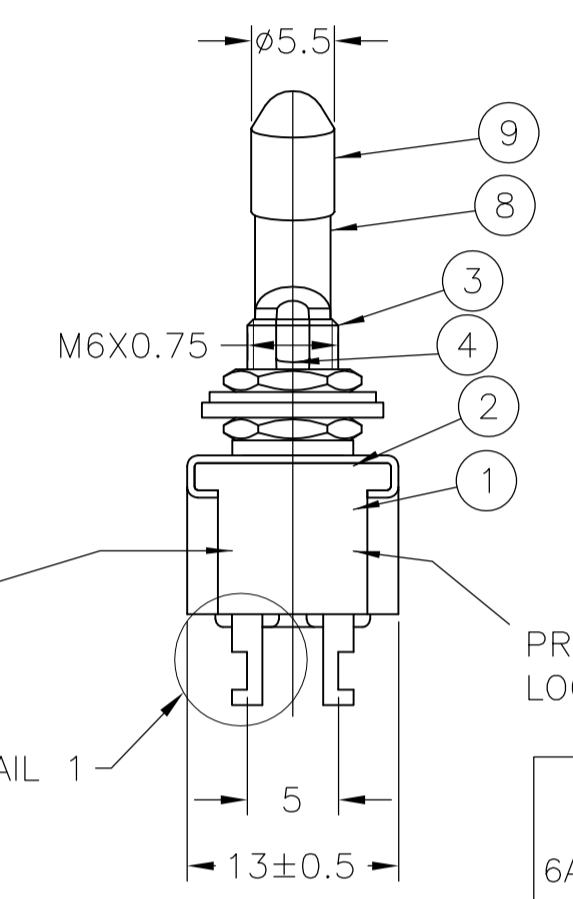
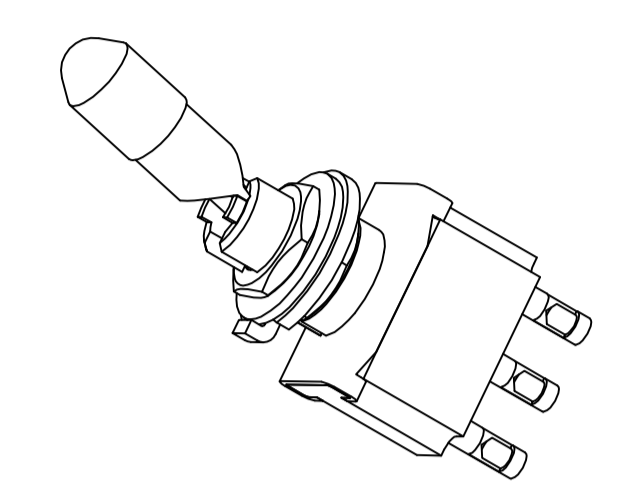
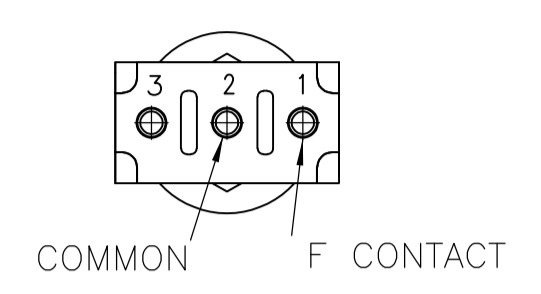
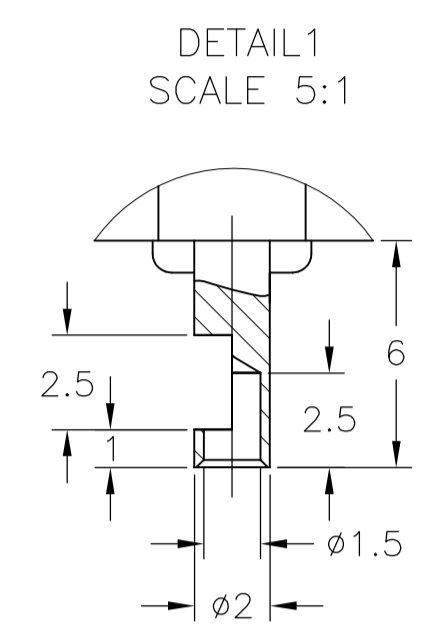


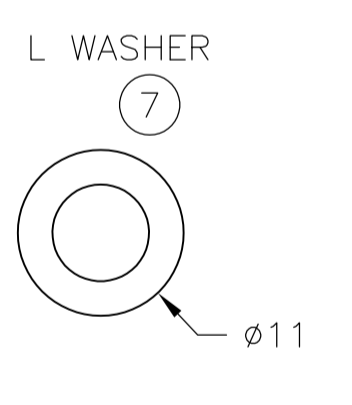
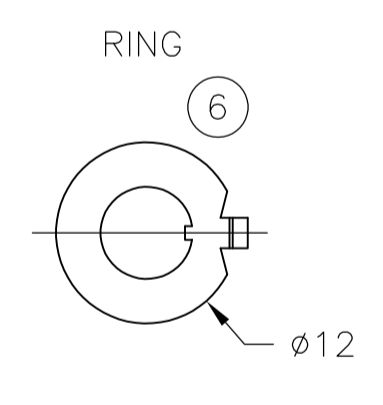
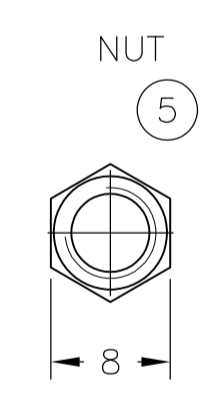
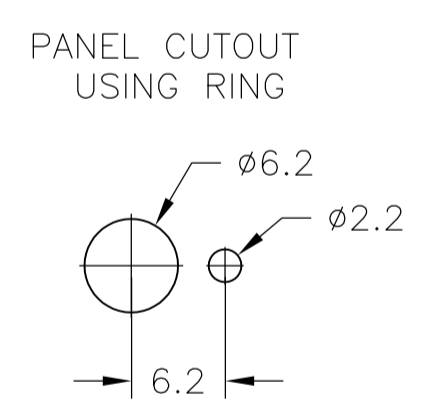
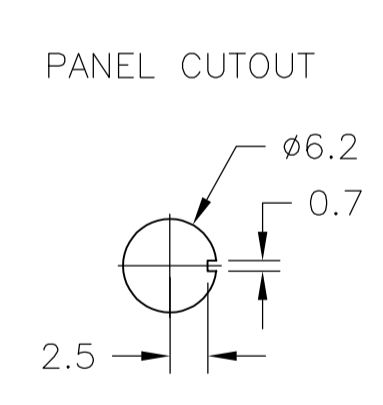
LOC		DIST		REVISIONS			
P	LTR	DESCRIPTION	DATE	DMN	APVD		
B1	REVISED PER	ECO-10-014168	02AUG10	HMR	MW		



TE PN	PART	TERMINALS 2 AND 3	TERMINALS 1 AND 2
3-6437630-9	FTN5904	ON	ON
6-6437630-1	FTN59G04	ON	ON

DATE CODE PRINTING LAST DIGIT OF YEAR
 A-L = JANUARY TO DECEMBER DAY

PRINTING OF LOGO AND RATING
 ALCO
 FTD0904
 6A AC 250V
 ON - ON
 MODEL NO.
 RATING
 SW. FUNCT. Δ



1.5 THICK 1 THICK 0.63 THICK

- Δ 0.5VA NO SWITCH FUNCTION WILL BE MARKED BUT WILL BE MARKED GOLD CON.
- 2 OPERATING TEMPERATURE -20°C TO +70°C
- 3 ALL MATERIALS AND FINISHES COMPLY WITH RoHS DIRECTIVE

MATERIALS CHART			
MATERIAL	PART	PART NAME	PART NO
Ep-Cu/Ni3b	C3602BD	CAP	9
Ep-Cu/Ni3b	C3602BD	HOLDER	8
Ep-Fe/Cu2,Ni4b	SK-5	L WASHER	7
Ep-Fe/Cu2,Ni3b	SPCC	RING	6
Ep-Cu/Ni3b	C3602BD	NUT	5
Ep-Cu/Ni3,Cr1b	C3602BD	ACTUATOR	4
Ep-Cu/Ni3b	C3602BD	BUSHING	3
	SUS	FRAME	2
	POLYESTER RESIN	CASE	1

6-6437630-1	FTN59G04	C3602BD Ep-Cu/Ni3,Au1b	C3602BD Ep-Cu/Ni3,Au1b	20V AC/DC 0.4VA MAX	MAX 10 MILLIOHMS AT DC 2 ~ 4V 0.1A	MIN 1000 M Ohms AT DC 500V	AC 1KV/1min (AC 1.2KV/1sec)	ELECTRICALLY 50,000 CYCLES AT 20 CYCLES/MIN (RATED LOAD RESISTIVE) MECHANICALLY 100,000 CYCLES AT 20 CYCLES/MIN
3-6437630-9	FTN5904	99.8% SILVER + C3602BD Ep-Cu/Ni3,AuFb	C3602BD Ep-Cu/Ni3,AuFb	AC 125V 6A AC 250V 6A	MAX 10 MILLIOHMS AT DC 2 ~ 4V 1A			
TE PN	PART	F CONTACT	COMMON	RATING	INITIAL CONTACT RESISTANCE	INSULATION RESISTANCE	DIELECTRIC STRENGTH	ENDURANCE
CONTACT MATERIAL				SPECIFICATIONS				

THIS DRAWING IS A CONTROLLED DOCUMENT.

DIMENSIONS: mm	TOLERANCES UNLESS OTHERWISE SPECIFIED:	0 PLC ± -	1 PLC ± -	2 PLC ± -	3 PLC ± -	4 PLC ± -	ANGLES ± -
----------------	--	-----------	-----------	-----------	-----------	-----------	------------

RAGHAVENDRA 02AUG10
 CHK MICHAEL WILBOURN 02AUG10
 APVD MICHAEL WILBOURN 02AUG10
 NAME Tyco Electronics Corporation
 Harrisburg, PA 17105-3608
 TOGGLE SWITCH F-SERIES DP
 LOCKING LEVER
 SIZE A1 CASE CODE DRAWING NO. 00779 ©=1968513
 WEIGHT --
 CUSTOMER DRAWING SCALE 1:1 SHEET 1 OF 1 REV B1

Mouser Electronics

Authorized Distributor

Click to View Pricing, Inventory, Delivery & Lifecycle Information:

[TE Connectivity:](#)

[FTN5904](#)