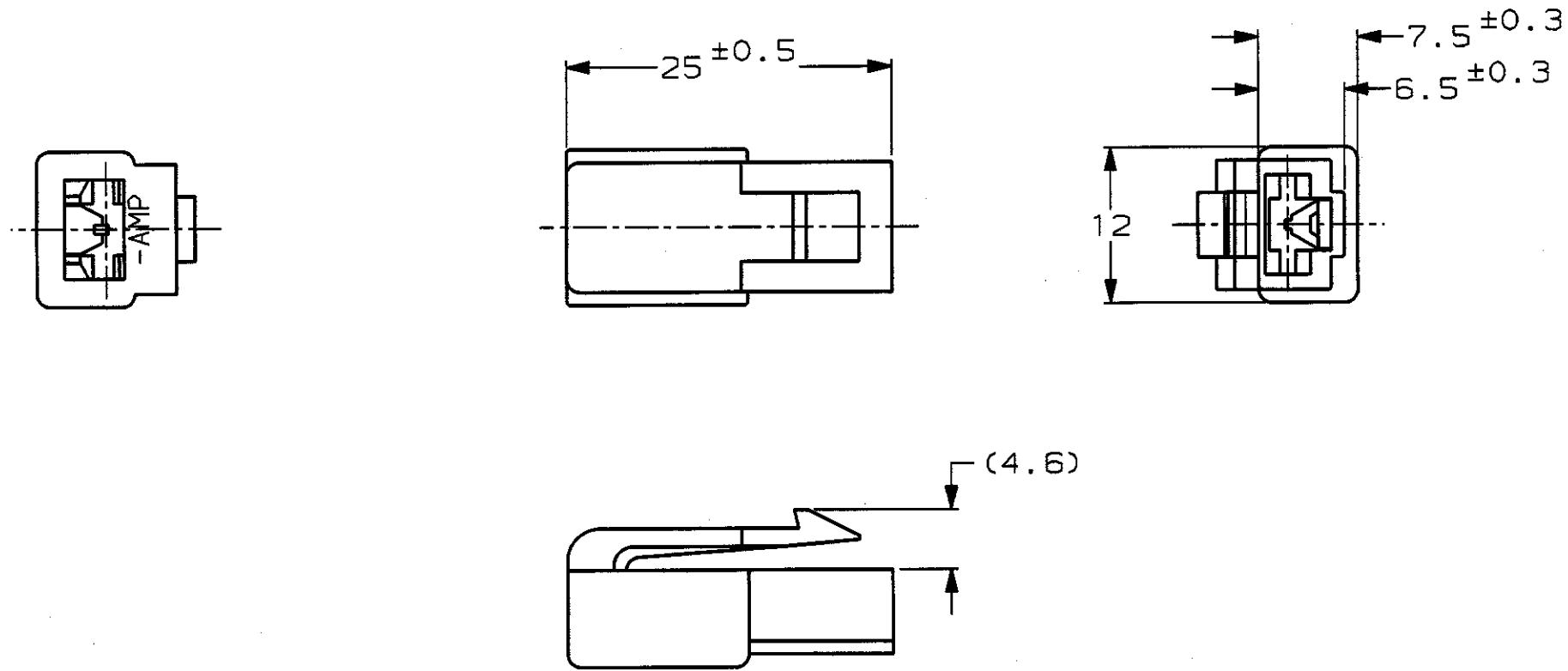


LOC	DIST	REVISIONS						
		P	LTR	DESCRIPTION	ECN	DATE	DWN	APVD
J		0		RELEASED	FJ00-0603-99	08APR99	TS	KB



1. 嵌合する相手ハウジングは型番 ; 174195
2. 使用端子は型番 ; 170032, 170258, 170384

1. THE MATING CAP HOUSING PART NUMBER ; 174195
2. APPLICABLE CONTACT PART NUMBER ; 170032, 170258, 170384

RED 赤	174196-9
ORANGE 橙	174196-8
YELLOW 黄	174196-7
GRAY 灰	174196-6
BLUE 青	174196-5
GREEN 緑	174196-4
BROWN 茶	174196-3
BLACK 黒	174196-2
NATURAL 自然色	174196-1
COLOR 色	PARTS NUMBER 型番

THIS DRAWING IS A CONTROLLED DOCUMENT FOR AMP INCORPORATED. IT IS SUBJECT TO CHANGE AND THE CONTROLLING ENGINEERING ORGANIZATION SHOULD BE CONTACTED FOR THE LATEST REVISION.		DWN T. SHINOHARA 08APR99	WIRE RANGE 包含電線断面積		INSULATION DIA 被覆外径	
DIMENSIONS: 単位: 概 mm		CHK K. BETSUI 08APR99	AMP 株式会社 Kawasaki, Japan 1Pos PLUG HOUSING 250 SERIES HOUSING LANCE CONNECTOR			
		APVD				
TOLERANCES UNLESS OTHERWISE SPECIFIED 一般公差 10mm : ±0.2 30mm : ±0.25 100mm : ±0.3 ANGLE : ±3°		PRODUCT SPEC 製品規格 108-5147-2	NAME 名称			
MATERIAL 材料 66 NYLON 66 ナイロン		APPLICATION SPEC 取付適用規格 —	SIZE CAGE CODE DRAWING NO 番号			
COLOR 色 SEE TABLE 表参照		WEIGHT 1g	A3 00779 C=174196		RESTRICTED TO —	
CUSTOMER DRAWING			SCALE 尺度 2:1		SHEET 1 OF 1	
			REV 0			

参考図面

Mouser Electronics

Authorized Distributor

Click to View Pricing, Inventory, Delivery & Lifecycle Information:

[TE Connectivity:](#)

[174196-1](#)