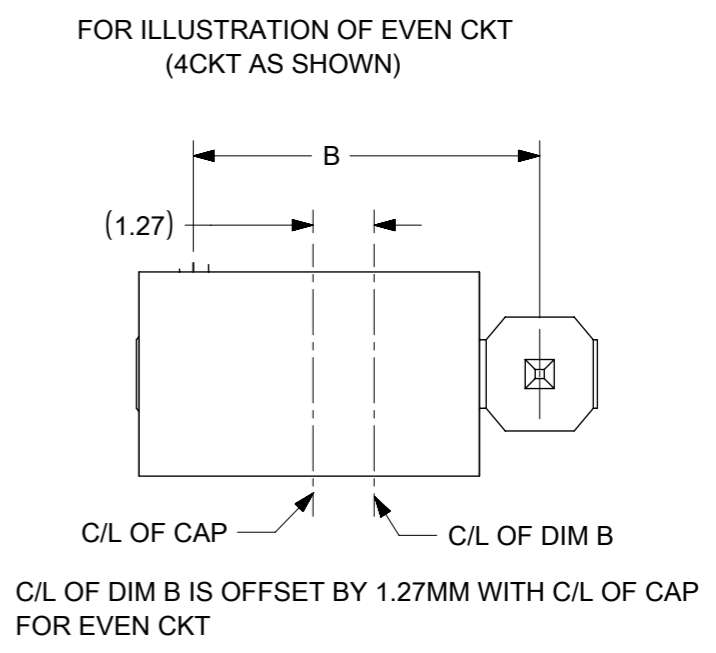
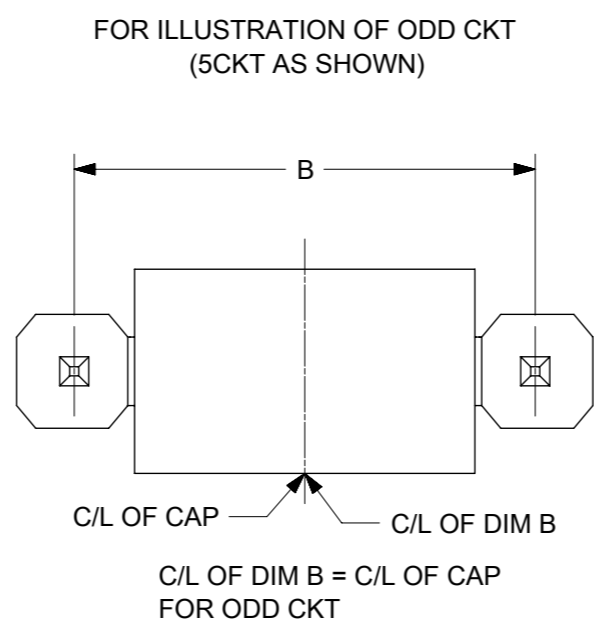
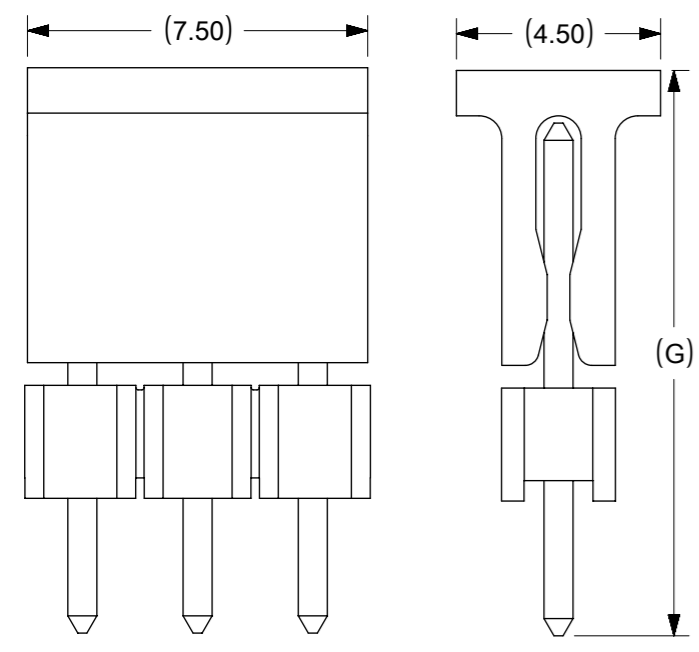


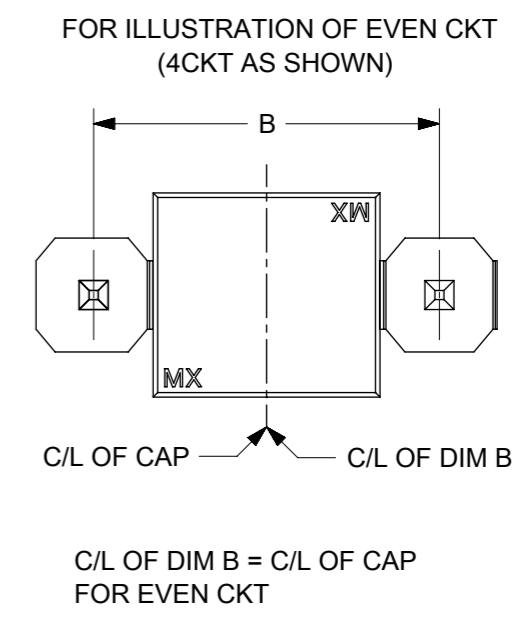
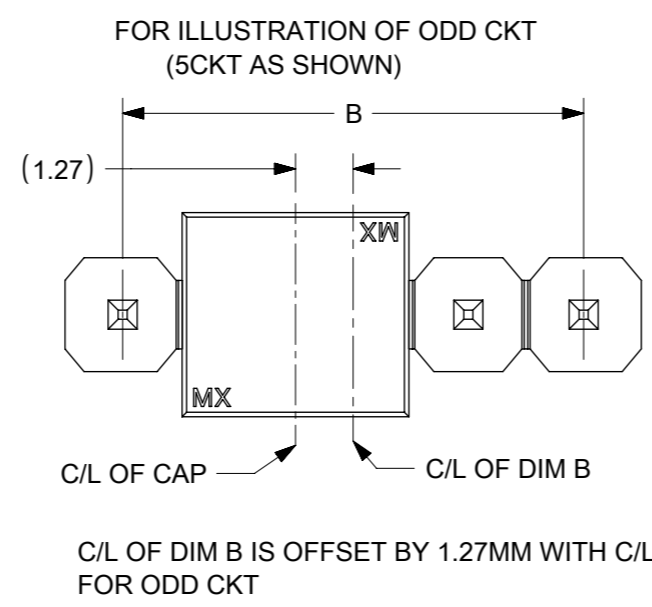
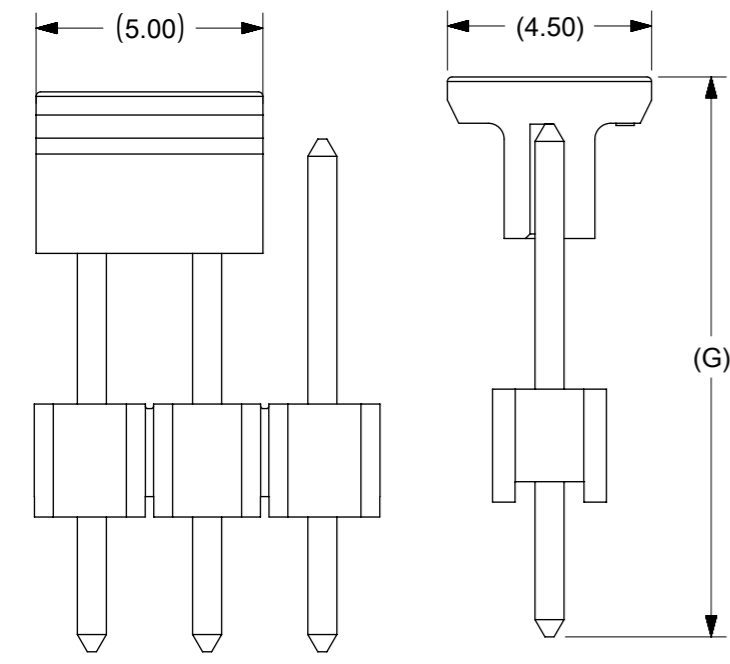
- NOTES**
- MATERIAL:**  
HSG: NYLON, GLASS-FILLED, UL94V-0 COLOR: BLACK  
PIN: 0.64MM SQ, COPPER ALLOY
  - PLATING TYPE:**
    - GOLD FLASH OVER  
1.25µm MIN. NICKEL OVERALL.
    - GOLD FLASH ON CONTACT AND  
2.50µm MIN. TIN ON SOLDER TAIL OVER  
1.25µm MIN. NICKEL OVERALL.
    - 0.38µm MIN. GOLD PLATE ON CONTACT AND  
2.00µm MIN. TIN ON SOLDER TAIL OVER  
1.25µm MIN. NICKEL OVERALL.
    - 0.75µm MIN. GOLD PLATE ON CONTACT AND  
2.00µm MIN. TIN ON SOLDER TAIL OVER  
1.25µm MIN. NICKEL OVERALL.
    - 2.50µm MIN TIN OVERALL  
1.25µm MIN NICKEL OVERALL
  - PRODUCT SPECIFICATION: PS-87920-019
  - PACKAGING TYPE: SEE TABLE
  - WAFER TO BE FLAT WITHIN 0.003 mm/mm
  - RECOMMENDED PCB THICKNESS IS 1.60mm±0.10
  - IRREGULAR CIRCUIT CUTOFF WITHIN BREAKAWAY SECTION IS PERMISSIBLE. CUTTING OR CHIPPING OF THE MAIN BODY IS NOT ACCEPTABLE
  - THE ABOVE CKT 6 IS FOR ILLUSTRATION PURPOSE ONLY
  - PACKAGING SPECIFICATION:  
TRAY: PK-89990-489  
BULK: PK-89990-491  
T&R : PK-87898-400  
TUBE: PK-89990-934
  - REFER SHEET 2 FOR CAP LOCATION.

SYMBOLS	THIS DRAWING CONTAINS INFORMATION THAT IS PROPRIETARY TO MOLEX ELECTRONIC TECHNOLOGIES, LLC AND SHOULD NOT BE USED WITHOUT WRITTEN PERMISSION		CURRENT REV DESC: 87891-0206&0306 ADD	
	DIMENSION UNITS	SCALE		
▽ = 0	mm	NTS		
▽ = 0	GENERAL TOLERANCES (UNLESS SPECIFIED)			
▽ = 0		MM	INCH	
▽ = 0	4 PLACES	±	±	
▽ = 0	3 PLACES	±	±	
▽ = 0	2 PLACES	±	0.2	±
▽ = 0	1 PLACE	±	±	
▽ = 0	0 PLACES	±	±	
⊠ = 0	ANGULAR TOL		± 3.0°	
■ = 0	DRAFT WHERE APPLICABLE MUST REMAIN WITHIN DIMENSIONS		THIRD ANGLE PROJECTION	DRAWING
▽ = 0			⊕	⊖
DOCUMENT STATUS		P1	RELEASE DATE	2019/09/24 13:15:51
FORMAT: Molx-ib-prod-A3		REVISION: D	DATE: 2018/01/11	
EC NO: 624545		DRWN: VNANDAM	2019/08/05	
CHK'D: MRAMAKRISHNA		2019/09/24		
APPR: MRAMAKRISHNA		2019/09/24		
INITIAL REVISION:		DRWN: KCHO	2004/03/24	
		APPR: SCLOW	2004/04/08	
DOCUMENT NUMBER		DOC TYPE	DOC PART	REVISION
SD-87891-001		PSD	000	D13
MATERIAL NUMBER		CUSTOMER	SHEET NUMBER	
SEE TABLE		GENERAL MARKET	1 OF 4	

### CAP INFORMATION- CAP OPTION A



### CAP INFORMATION- CAP OPTION B



SYMBOLS	THIS DRAWING CONTAINS INFORMATION THAT IS PROPRIETARY TO MOLEX ELECTRONIC TECHNOLOGIES, LLC AND SHOULD NOT BE USED WITHOUT WRITTEN PERMISSION			
	DIMENSION UNITS		SCALE	
	mm		NTS	
	CURRENT REV DESC: 87891-0206&0306 ADD			
GENERAL TOLERANCES (UNLESS SPECIFIED)				
		MM	INCH	<b>molex</b> CUSTOM HEADER 2.54MM PITCH, SINGLE ROW SINGLE WAFER, T/H HEADER PRODUCT CUSTOMER DRAWING
▽ = 0	4 PLACES	±	±	
▽ = 0	3 PLACES	±	±	
▽ = 0	2 PLACES	± 0.2	±	
▽ = 0	1 PLACE	±	±	
□ = 0	0 PLACES	±	±	EC NO: 624545 DRWN: VNANDAM 2019/08/05 CHK'D: MRAMAKRISHNA 2019/09/24 APPR: MRAMAKRISHNA 2019/09/24
■ = 0	ANGULAR TOL		± 3.0°	INITIAL REVISION: DRWN: KCHO 2004/03/24 APPR: SCLOW 2004/04/08
▽ = 0	DRAFT WHERE APPLICABLE MUST REMAIN WITHIN DIMENSIONS		THIRD ANGLE PROJECTION	DOCUMENT NUMBER: SD-87891-001 DOC TYPE: PSD DOC PART: 000 REVISION: D13
DRAWING		SERIES	MATERIAL NUMBER	CUSTOMER
A3-SIZE		87891	SEE TABLE	GENERAL MARKET
SHEET NUMBER		2 OF 4		


CKT SIZE	DIMENSION		ASSY W/CAP IN T&R	ASSY W/O CAP IN T&R	ASSY W/O CAP IN TUBE	ASSY W/CAP IN TUBE	PART NO. W/O CAP IN TRAY PACKAGING	PART NO. IN BULK PACKAGING	CKT SIZE	VOID PIN	KINK PIN	(G)	DIMENSION			PLATING TYPE	CAP OPTION	REMARKS
	A	B											OAL	MATING END	SOLDIER TAIL			
	(F)	M											P					
02	5.08	2.54					87891-0108	-	01	-	-	-	10.80	5.08	3.23	5	-	-
03	7.62	5.08					87891-1017	-	01	-	-	-	12.29	6.80	3.00	3	-	-
04	10.16	7.62					87891-0205	-	02	-	-	-	11.30	5.84	2.97	4	-	-
05	12.70	10.16					87891-0206	-	02	-	-	-	11.30	5.84	2.97	5	-	-
06	15.24	12.70					87891-0209	-	02	-	-	-	10.80	5.08	3.23	5	-	-
07	17.78	15.24					87891-0210	-	02	-	-	-	31.00	25.54	2.97	5	-	-
08	20.32	17.78					87891-0216	-	02	-	-	-	7.29	2.40	2.40	5	-	-
09	22.86	20.32					87891-0212	-	02	-	-	-	18.37	12.68	3.20	5	-	-
10	25.40	22.86					87891-0211	-	02	-	-	-	26.49	20.80	3.20	5	-	-
11	27.94	25.40					87891-0214	-	02	-	-	-	19.49	13.00	4.00	5	-	-
12	30.48	27.94					87891-0215	-	02	-	-	14.98	13.98	7.49	4.00	5	A	-
13	33.02	30.48					87891-0213	-	02	-	-	-	12.14	5.84	3.81	4	-	-
14	35.56	33.02					87891-0306	-	03	-	-	-	11.30	5.84	2.97	5	-	-
15	38.10	35.56					87891-0307	-	03	-	-	-	22.73	18.74	1.50	5	-	-
16	40.64	38.10					87891-0003	-	03	2	-	-	13.72	9.65	1.78	6	-	-
17	43.18	40.64					87891-0311	-	03	-	-	12.34	11.30	5.84	2.97	5	B	REFER RPK-87891-0311 (FOR 87891-0311)
18	45.72	43.18					-	-	03	-	-	-	6.49	2.00	2.00	5	-	-
19	48.26	45.72					87891-0402	-	04	2	-	-	10.80	5.89	2.41	5	-	-
20	50.80	48.26					87891-0004	-	04	-	-	-	35.10	29.71	3.10	6	-	-
21	53.34	50.80					87891-0408	-	04	-	-	-	31.00	25.54	2.97	5	-	-
22	55.88	53.34					87891-0409	-	04	-	-	-	12.14	6.75	2.90	5	-	REFER 878910418-RPK (FOR 87891-0418)
23	58.42	55.88					87891-0417	-	04	-	-	16.31	15.11	9.01	3.61	5	A	-
24	60.96	58.42					87891-0432	-	04	-	-	-	18.03	13.54	2.00	5	-	-
25	63.50	60.96					87891-0430	-	04	-	-	-	13.09	8.00	2.80	5	A	-
26	66.04	63.50					87891-0501	-	05	-	-	-	13.62	8.08	3.05	5	-	-
27	68.58	66.04					87891-0502	-	05	2	-	-	10.80	5.89	2.41	5	-	-
28	71.12	68.58					87891-0503	-	05	2	-	-	45.00	13.51	29.00	5	-	-
29	73.66	71.12					87891-0504	-	05	2	-	-	45.00	13.51	29.00	3	-	-
30	76.20	73.66					87891-0507	-	05	4	-	-	10.92	5.84	2.59	3	-	-
31	78.74	76.20					-	-	05	2,4	-	-	11.38	5.84	3.05	5	-	-
32	81.28	78.74					87891-0522	-	05	2&4	-	-	19.49	13.00	4.00	5	-	-
33	83.82	81.28					87891-0517	-	05	-	-	-	23.62	17.32	3.81	5	-	-
34	86.36	83.82					87891-0523	-	05	-	-	-	7.29	2.40	2.40	5	-	-
35	88.90	86.36					87891-0521	-	05	-	-	10.10	9.89	2.80	4.60	5	A	-
36	91.44	88.90																
37	93.98	91.44																
38	96.52	93.98																
39	99.06	96.52																
40	101.60	99.06																

DOCUMENT STATUS		P1	RELEASE DATE	2019/09/24	13:15:51
-----------------	--	----	--------------	------------	----------

SYMBOLS	THIS DRAWING CONTAINS INFORMATION THAT IS PROPRIETARY TO MOLEX ELECTRONIC TECHNOLOGIES, LLC AND SHOULD NOT BE USED WITHOUT WRITTEN PERMISSION																								
<table border="1"> <tr> <th>DIMENSION UNITS</th> <th>SCALE</th> </tr> <tr> <td>mm</td> <td>NTS</td> </tr> </table>	DIMENSION UNITS	SCALE	mm	NTS	CURRENT REV DESC: 87891-0206&0306 ADD																				
DIMENSION UNITS	SCALE																								
mm	NTS																								
<table border="1"> <tr> <th colspan="3">GENERAL TOLERANCES (UNLESS SPECIFIED)</th> </tr> <tr> <th></th> <th>MM</th> <th>INCH</th> </tr> <tr> <td>4 PLACES</td> <td>±</td> <td>±</td> </tr> <tr> <td>3 PLACES</td> <td>±</td> <td>±</td> </tr> <tr> <td>2 PLACES</td> <td>± 0.2</td> <td>±</td> </tr> <tr> <td>1 PLACE</td> <td>±</td> <td>±</td> </tr> <tr> <td>0 PLACES</td> <td>±</td> <td>±</td> </tr> <tr> <td>ANGULAR TOL</td> <td colspan="2">± 3.0°</td> </tr> </table>	GENERAL TOLERANCES (UNLESS SPECIFIED)				MM	INCH	4 PLACES	±	±	3 PLACES	±	±	2 PLACES	± 0.2	±	1 PLACE	±	±	0 PLACES	±	±	ANGULAR TOL	± 3.0°		EC NO: 624545 DRWN: VNANDAM 2019/08/05 CHK'D: MRAMAKRISHNA 2019/09/24 APPR: MRAMAKRISHNA 2019/09/24
GENERAL TOLERANCES (UNLESS SPECIFIED)																									
	MM	INCH																							
4 PLACES	±	±																							
3 PLACES	±	±																							
2 PLACES	± 0.2	±																							
1 PLACE	±	±																							
0 PLACES	±	±																							
ANGULAR TOL	± 3.0°																								
<table border="1"> <tr> <th colspan="4">INITIAL REVISION:</th> </tr> <tr> <td>DRWN:</td> <td>KCHO</td> <td>2004/03/24</td> <td></td> </tr> <tr> <td>APPR:</td> <td>SCLOW</td> <td>2004/04/08</td> <td></td> </tr> </table>	INITIAL REVISION:				DRWN:	KCHO	2004/03/24		APPR:	SCLOW	2004/04/08		<table border="1"> <tr> <th>DOCUMENT NUMBER</th> <th>DOC TYPE</th> <th>DOC PART</th> <th>REVISION</th> </tr> <tr> <td>SD-87891-001</td> <td>PSD</td> <td>000</td> <td>D13</td> </tr> </table>	DOCUMENT NUMBER	DOC TYPE	DOC PART	REVISION	SD-87891-001	PSD	000	D13				
INITIAL REVISION:																									
DRWN:	KCHO	2004/03/24																							
APPR:	SCLOW	2004/04/08																							
DOCUMENT NUMBER	DOC TYPE	DOC PART	REVISION																						
SD-87891-001	PSD	000	D13																						
<table border="1"> <tr> <th>DRAFT WHERE APPLICABLE MUST REMAIN WITHIN DIMENSIONS</th> <th>THIRD ANGLE PROJECTION</th> <th>DRAWING</th> <th>SERIES</th> <th>MATERIAL NUMBER</th> <th>CUSTOMER</th> <th>SHEET NUMBER</th> </tr> <tr> <td></td> <td></td> <td>A3-SIZE</td> <td>87891</td> <td>SEE TABLE</td> <td>GENERAL MARKET</td> <td>3 OF 4</td> </tr> </table>	DRAFT WHERE APPLICABLE MUST REMAIN WITHIN DIMENSIONS	THIRD ANGLE PROJECTION	DRAWING	SERIES	MATERIAL NUMBER	CUSTOMER	SHEET NUMBER			A3-SIZE	87891	SEE TABLE	GENERAL MARKET	3 OF 4											
DRAFT WHERE APPLICABLE MUST REMAIN WITHIN DIMENSIONS	THIRD ANGLE PROJECTION	DRAWING	SERIES	MATERIAL NUMBER	CUSTOMER	SHEET NUMBER																			
		A3-SIZE	87891	SEE TABLE	GENERAL MARKET	3 OF 4																			

ASSY WITHOUT CAP IN TUBE	ASSY WITHOUT W/CAP IN TUBE	ASSY W/CAP IN T&R	PART NO. IN TRAY PACKAGING	PART NO. IN BULK PACKAGING	CKT SIZE	VOID PIN	KINK PIN	(G)	DIMENSION			PLATING TYPE	CAP OPTION
									OAL	MATING END	SOLDIER TAIL		
									(F)	M	P		
-	-	-	87891-0601	-	06	-	-	-	11.30	5.84	2.97	1	-
-	-	-	87891-0602	-	06	-	-	-	12.80	8.00	2.31	5	-
-	-	-	87891-0606	-	06	-	-	-	11.30	5.84	2.97	5	-
-	-	-	87891-0607	-	06	-	-	-	13.75	8.08	3.18	5	-
-	-	-	87891-0608	-	06	-	-	-	18.03	13.54	2.00	5	-
-	-	-	87891-0609	-	06	-	-	-	28.30	22.16	3.65	5	-
-	-	87891-0613	-	-	06	-	-	22.99	21.99	16.00	3.50	5	A
-	-	-	87891-0615	-	06	-	-	-	14.49	10.00	2.00	1	-
-	-	-	87891-0751	-	07	-	-	-	13.74	8.00	3.25	5	-
-	-	87891-0007	-	-	07	-	-	-	13.72	9.65	1.78	6	-
-	-	-	87891-0851	-	08	-	-	-	13.74	8.00	3.25	5	-
-	-	87891-0807	-	-	08	-	-	13.59	12.59	7.90	2.20	5	A
-	-	-	-	87891-2601	26	4,7,17	-	-	11.13	5.59	3.05	3	-
-	-	87891-1817	-	-	18	-	-	18.36	17.20	13.21	1.50	5	A
-	-	87891-1818	-	-	18	-	-	18.36	17.20	13.21	1.50	3	A
-	-	-	87891-2007	-	20	-	-	-	21.49	9.50	9.50	1	-
-	-	87891-2817	-	-	28	-	-	18.36	17.20	13.21	1.50	5	A
-	-	87891-2818	-	-	28	-	-	18.36	17.20	13.21	1.50	3	A
-	-	-	-	87891-3600	36	-	-	-	11.56	6.09	3.18	2	-
87891-4007	-	-	-	-	40	-	-	-	12.14	5.84	3.81	3	-

DOCUMENT STATUS		P1	RELEASE DATE	2019/09/24	13:15:51														
-----------------	--	----	--------------	------------	----------	--	--	--	--	--	--	--	--	--	--	--	--	--	--

SYMBOLS	THIS DRAWING CONTAINS INFORMATION THAT IS PROPRIETARY TO MOLEX ELECTRONIC TECHNOLOGIES, LLC AND SHOULD NOT BE USED WITHOUT WRITTEN PERMISSION																		
	DIMENSION UNITS		SCALE		CURRENT REV DESC: 87891-0206&0306 ADD						 <p>CUSTOM HEADER 2.54MM PITCH, SINGLE ROW SINGLE WAFER, T/H HEADER</p>								
	mm		NTS																
	GENERAL TOLERANCES (UNLESS SPECIFIED)				EC NO: 624545														
				MM		INCH		DRWN: VNANDAM 2019/08/05											
				4 PLACES ±		±		CHK'D: MRAMAKRISHNA 2019/09/24											
				3 PLACES ±		±		APPR: MRAMAKRISHNA 2019/09/24											
				2 PLACES ±		0.2 ±		INITIAL REVISION:											
				1 PLACE ±		±		DRWN: KCHO 2004/03/24											
				0 PLACES ±		±		APPR: SCLOW 2004/04/08											
				ANGULAR TOL ±		3.0°		DRAFT WHERE APPLICABLE MUST REMAIN WITHIN DIMENSIONS											
				THIRD ANGLE PROJECTION		DRAWING		SERIES		MATERIAL NUMBER		CUSTOMER		SHEET NUMBER					
				A3-SIZE		87891		SEE TABLE		GENERAL MARKET		4 OF 4							