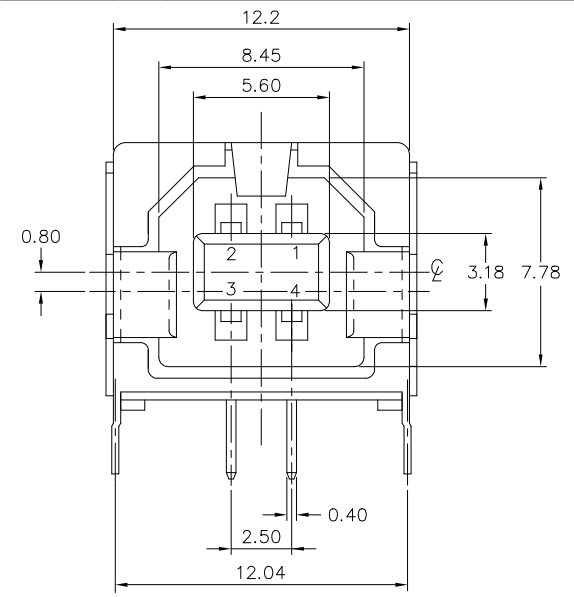
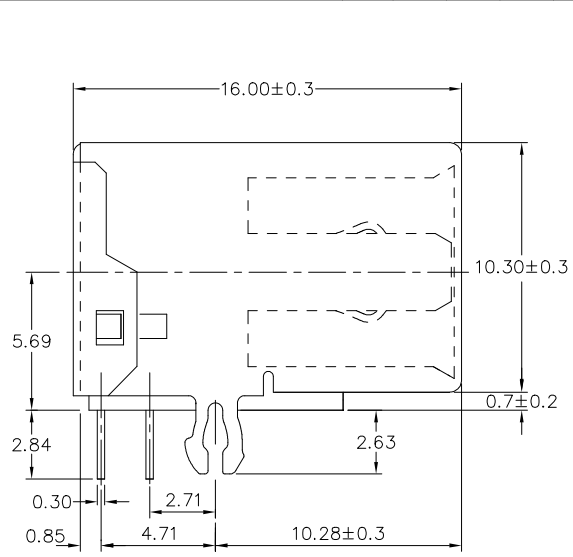
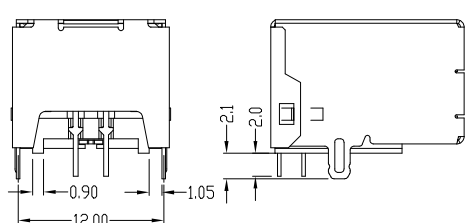
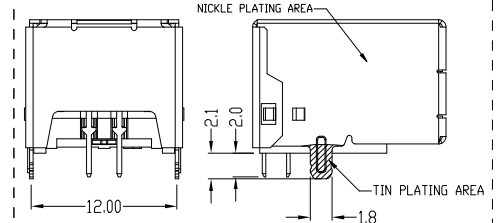
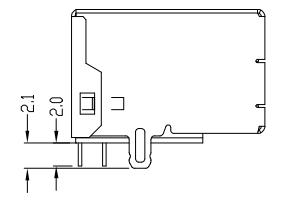
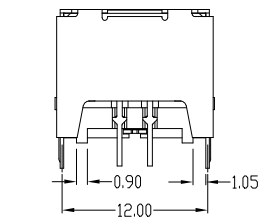


PRODUCT NO.  
61729-\*



Amphenol FCI

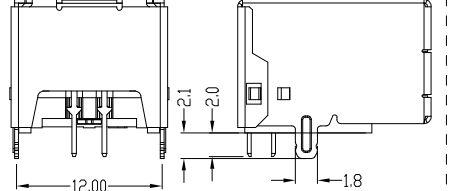
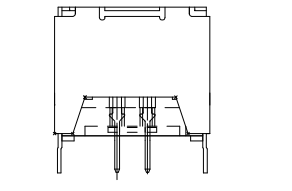
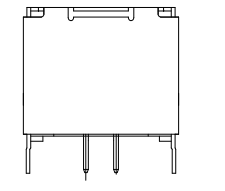


TYPE "4" PARTIAL BACK WITH SHORT SOLDER TAIL, SHELL TAIL AND SPECIAL HOUSING FOR PIP PROCESS 61729-XXWXLF

TYPE "5" PARTIAL BACK WITH SHORT SOLDER TAIL, SHORT SHELL TAIL AND SELECTED MATTE TIN SHELL FOR PIP PROCESS 61729-XXTXLF

TYPE "6" PARTIAL BACK WITH SHORT SOLDER TAIL, SHORT SHELL TAIL, SPECIAL HOUSING, AND FULL MATTE TIN SHELL FOR PIP PROCESS 61729-XXVXLF

© 2016 AFCI



TYPE "1" FULL BACK

TYPE "2" PARTIAL BACK

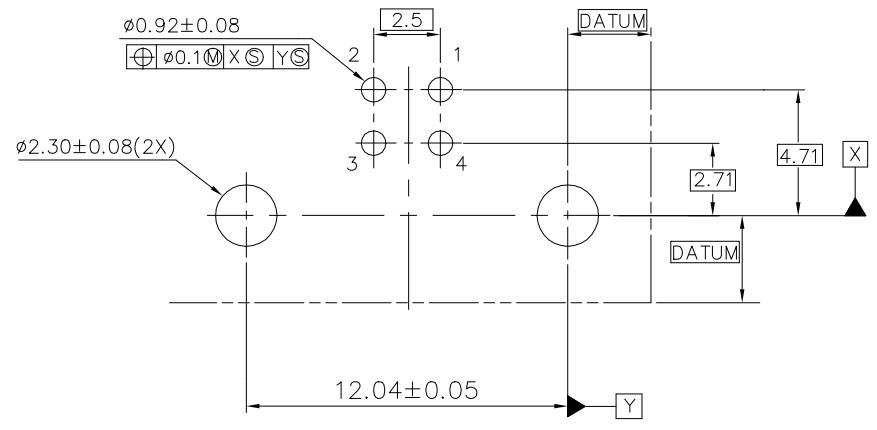
TYPE "3" PARTIAL BACK WITH SHORT SOLDER TAIL AND SHELL TAIL FOR PIP PROCESS 61729-XXQXLF

|             |               |         |           |                                       |                       |
|-------------|---------------|---------|-----------|---------------------------------------|-----------------------|
| mat'l. code |               | surface | tolerance | projection                            | product family        |
| ISO 1302 ✓  |               | ISO 406 | ISO 1101  | HPL 511 USB2.0                        |                       |
| ltr         | ecn no        | dr      | date      | tolerances unless otherwise specified | title                 |
| AA          | ELX-N-34768-1 | YY      | 09/19/19  | 0.0±0.30                              | USB RECEPTACLE B TYPE |
| AB          | ELX-N-37746-1 | YY      | 03/09/21  | 0.00±0.20                             |                       |
| AC          | ELX-N-40307-1 | YY      | 03/09/21  | 0.000±0.10                            |                       |
|             |               |         | 0±2'      | scale 1:1                             |                       |
| W           | EGR-N-16533   | LQ      | 12/17/13  | engr Yuan-Yuan Bao                    | 03/09/21              |
| X           | ELX-N-29556   | LZ      | 03/09/18  | chr Li-Qing Lei                       | 03/09/21              |
| Y           | ELX-N-32780   | YY      | 02/26/19  | appd Tim.Yao                          | 03/09/21              |
| sheet       | revision      |         |           |                                       |                       |
| index       | sheet         |         |           |                                       |                       |

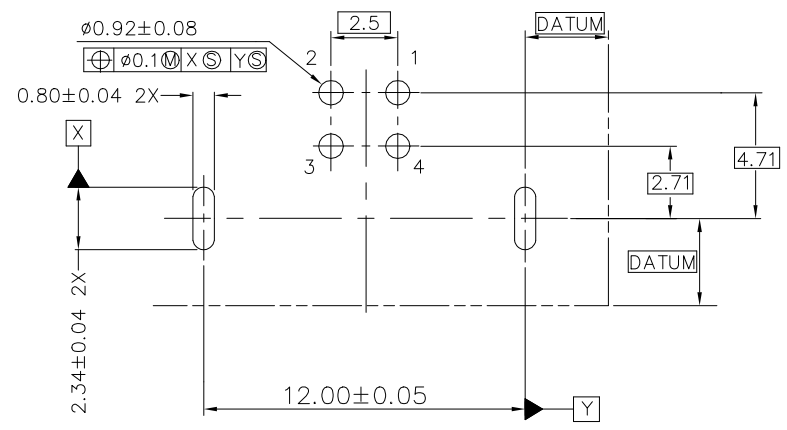
Amphenol FCI

dwg no 61729 sheet 1 of 3 size A3

type Product Customer Drawing



P.C. BOARD LAYOUT  
STYLE 1 APPLY FOR TYPE 1 & 2




P.C. BOARD LAYOUT  
STYLE 2 APPLY FOR TYPE 3

NOTES:

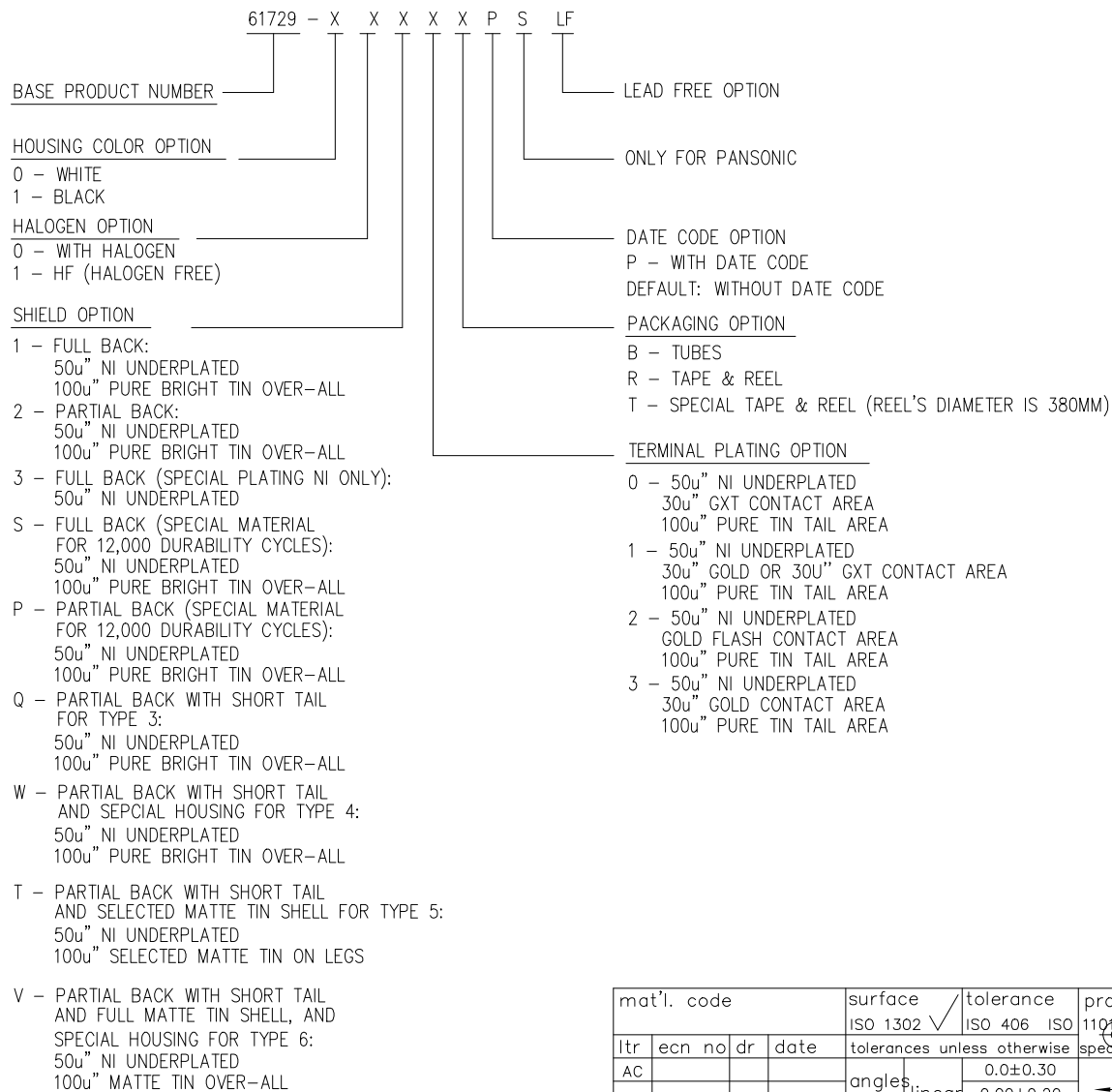
1. MATERIAL:  
SHIELD & CONTACTS: COPPER ALLOY  
HOUSING: UL 94V-0 ,HIGH TEMPERATURE THERMOPLASTIC.  
COLOR: SEE PRODUCT NUMBER CODE.
2. PLATING: SEE PRODUCT NUMBER CODE.  
SHIELD: BRIGHT TIN, NICKEL UNDERPLATE(USED FOR WAVE SOLDER PROCESS),  
PLATING NICKEL ONLY(USED FOR PIP PROCESS).
3. DATUMS & BASIC DIMENSIONS TO BE DETERMINED BY CUSTOMER
4. RECOMMENDED BOARD THICKNESS IS 1.57 mm (.062)
5. PACKING STANDARD GS-14-920 WILL BE APPLIED FOR LEAD FREE P/N'S
6. FOR LEAD FREE P/N, THE PRODUCT MEET EUROPEAN UNION DIRECTIVES AND OTHER COUNTRY REGULATION AS DESCRIBED IN GS-22-008
7. FOR LEAD FREE P/N'S, THE HOUSING WILL WITHSTAND EXPOSURE TO 260°C PEAK TEMPERATURE FOR 10 SECONDS IN A CONVECTION, INFRO-RED OR VAPOR PHASE REFLOW OVEN.
8. THE PART CAN BE USED FOR PIP PROCESS.

Amphenol FCI

© 2016 AFCI

|             |                |                       |                               |                                       |   |
|-------------|----------------|-----------------------|-------------------------------|---------------------------------------|---|
| mat'l. code |                | surface<br>ISO 1302 ✓ | tolerance<br>ISO 406 ISO 1101 | projection<br>1101                    | product family<br>HPL 511 USB2.0  |
| ltr         | ecn no         | dr                    | date                          | tolerances unless otherwise specified | title   |
| AC          |                |                       |                               | 0.0±0.30<br>0.00±0.20<br>0.000±0.10   | USB RECEPTACLE B TYPE   |
|             |                |                       |                               | linear<br>0°±2'                       | mm<br>scale 1:1   |
|             |                | dr                    | Yuan-Yuan Bao                 | 03/09/21                              |  dwg no 61729 sheet 2 of 3 size A3 |
|             |                | eng                   | Yuan-Yuan Bao                 | 03/09/21                              |   |
|             |                | chr                   | Li-Qing Lei                   | 03/09/21                              |   |
|             |                | appd                  | Tim Yao                       | 03/09/21                              |   |
| sheet index | revision sheet |                       |                               |                                       | type Product Customer Drawing   |

PRODUCT NUMBER CODE:



© 2016 AFCI

|             |                |            |                  |                                       |                                   |
|-------------|----------------|------------|------------------|---------------------------------------|-----------------------------------|
| mat'l. code |                | surface    | tolerance        | projection                            | product family                    |
|             |                | ISO 1302 ✓ | ISO 406 ISO 1101 |                                       | HPL 511 USB2.0                    |
| ltr         | ecn no         | dr         | date             | tolerances unless otherwise specified | title                             |
| AC          |                |            |                  | 0.0±0.30<br>0.00±0.20<br>0.000±0.10   | USB RECEPTACLE B TYPE             |
|             |                |            |                  | angles linear<br>0°±2'                | mm                                |
|             |                |            |                  | dr Yuan-Yuan Bao 03/09/21             | scale 1:1                         |
|             |                |            |                  | eng Yuan-Yuan Bao 03/09/21            | Amphenol FCI                      |
|             |                |            |                  | chr Li-Qing Lei 03/09/21              | dwg no 61729 sheet 3 of 3 size A3 |
|             |                |            |                  | appd Tim.Yao 03/09/21                 | type Product Customer Drawing     |
| sheet index | revision sheet |            |                  |                                       |                                   |

# Mouser Electronics

Authorized Distributor

Click to View Pricing, Inventory, Delivery & Lifecycle Information:

[FCI / Amphenol:](#)

[61729-1020RLF](#) [61729-1010B](#) [61729-0010B](#) [61729-11Q0RPLF](#) [61729-1111BLF](#) [61729-01Q2RLF](#) [61729-11W0TPLF](#) [61729-1012BLF](#) [61729-0010TLF](#)