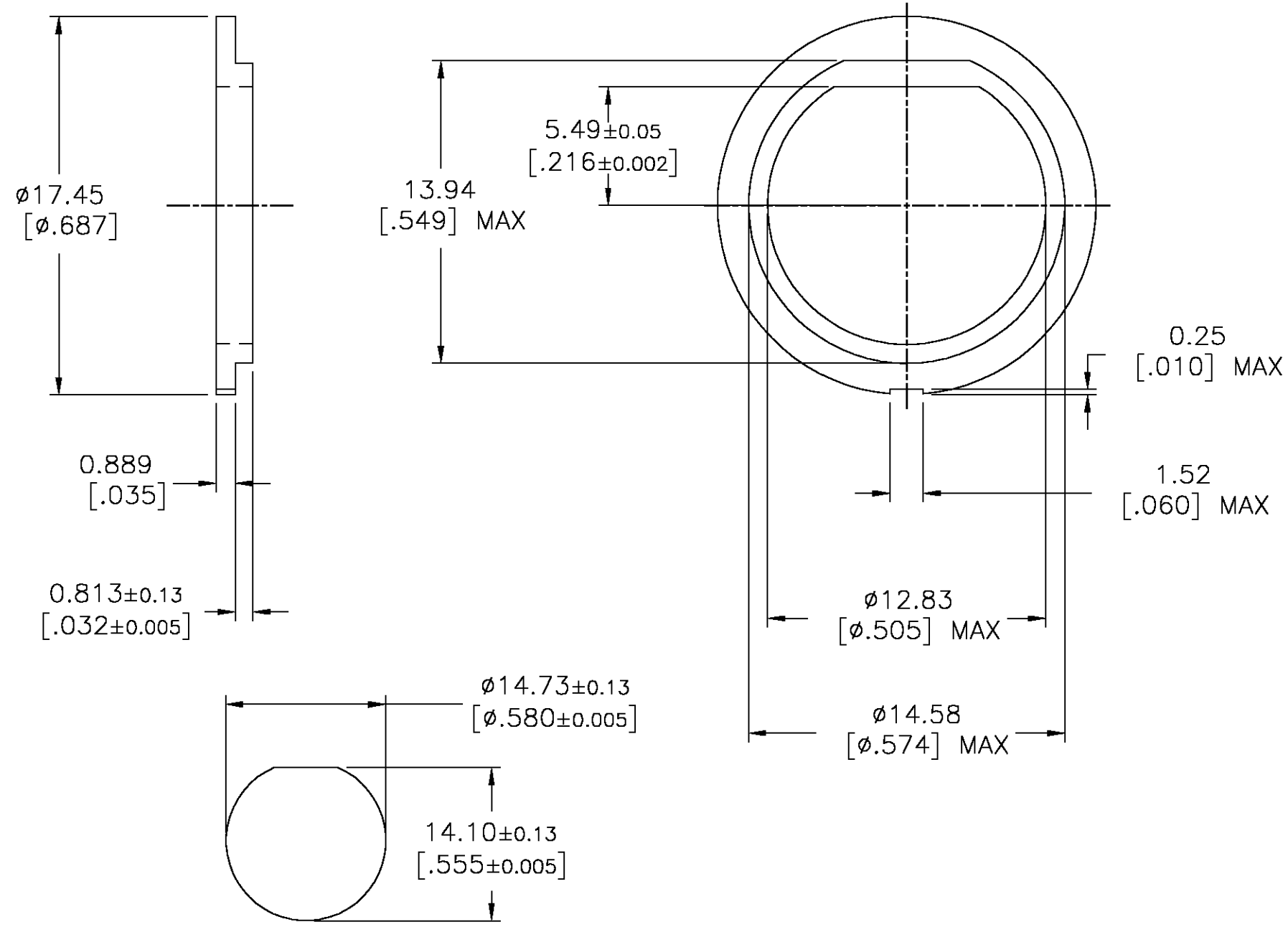


THIS DRAWING IS UNPUBLISHED. RELEASED FOR PUBLICATION
 © COPYRIGHT BY TYCO ELECTRONICS CORPORATION. ALL RIGHTS RESERVED.

LOC	DIST	REVISIONS					
AJ	16	P	LTR	DESCRIPTION	DATE	DWN	APVD
		J		REV PER OS14-0255-04	05/25/04	KW	KW



NOTES:
 1. SEE INSTRUCTION SHEET 408-1576

RECOMMENDED PANEL CUT-OUT
 SCALE 2 : 1

330620
 PART NO.

THIS DRAWING IS A CONTROLLED DOCUMENT.		DWN G. VIERA 01MAY2002	Tyco Electronics Corporation Middletown, PA 17057	
DIMENSIONS: mm		CHK K. WEIDNER 05/01/02		
TOLERANCES UNLESS OTHERWISE SPECIFIED:		APVD K. WEIDNER 05/01/02	NAME COAXICON CONNECTOR INSULATING BUSHING	
		PRODUCT SPEC -	APPLICATION SPEC -	
MATERIAL NYLON MIL-M-20693 (TYPE 1)		FINISH -	WEIGHT .005 OZ.	RESTRICTED TO -
CUSTOMER DRAWING			SIZE A3	CAGE CODE 00779
			DRAWING NO C-330620	SCALE 4:1
			SHEET 1 OF 1	REV J

Mouser Electronics

Authorized Distributor

Click to View Pricing, Inventory, Delivery & Lifecycle Information:

[TE Connectivity:](#)

[330620](#)