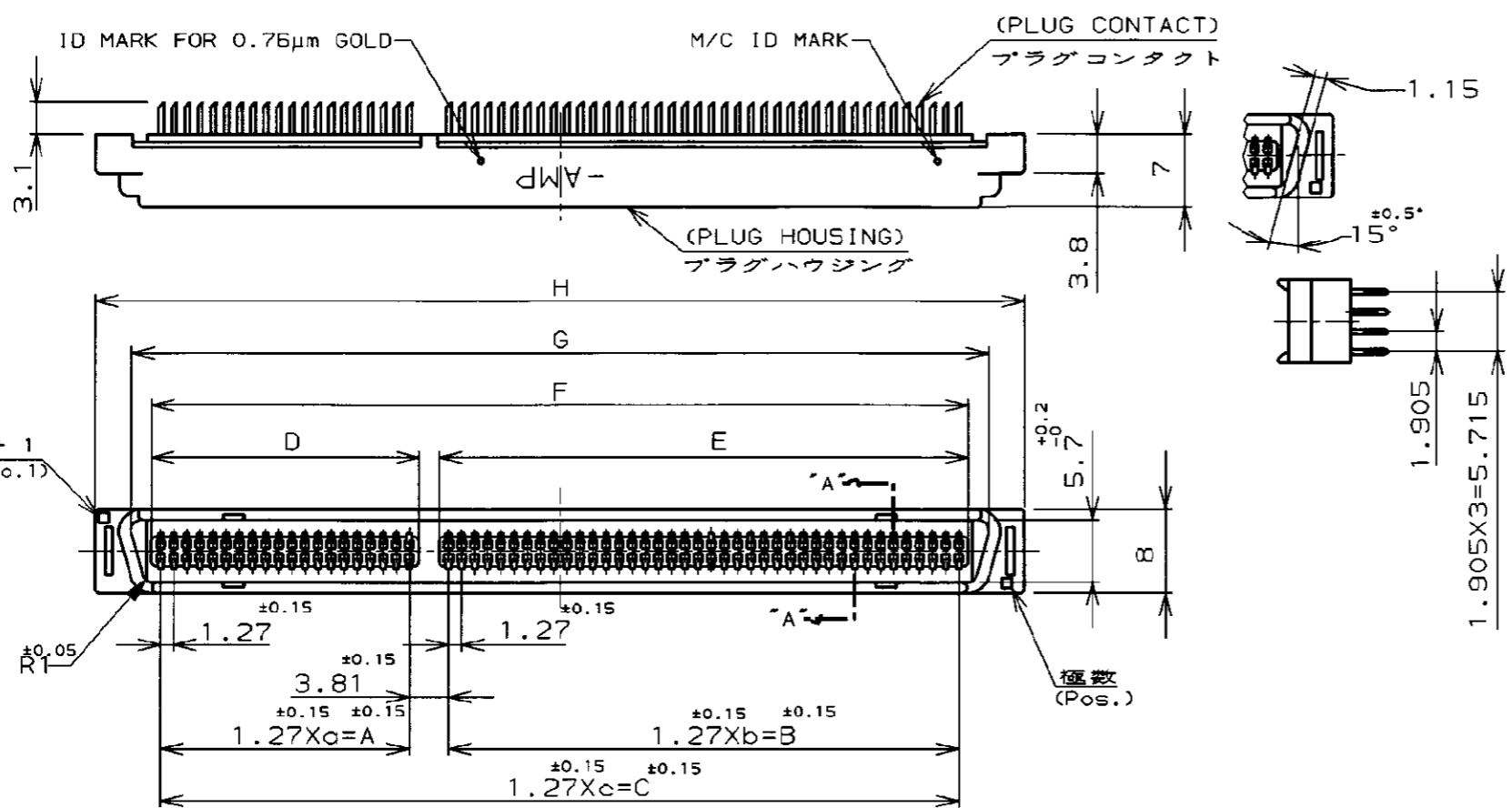


NUMBER C-5917631
 METRIC
 3rd ANGLE PROJECTION

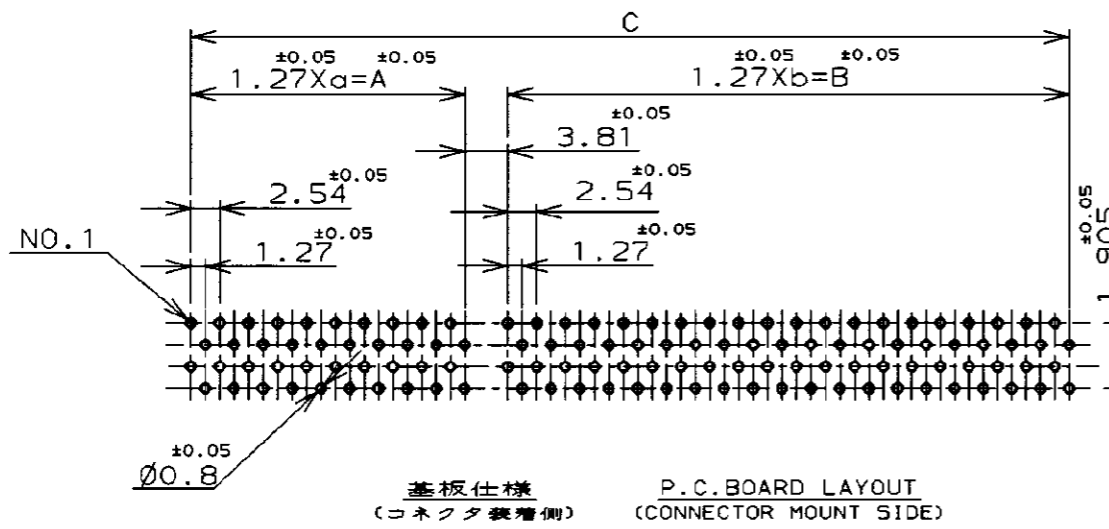
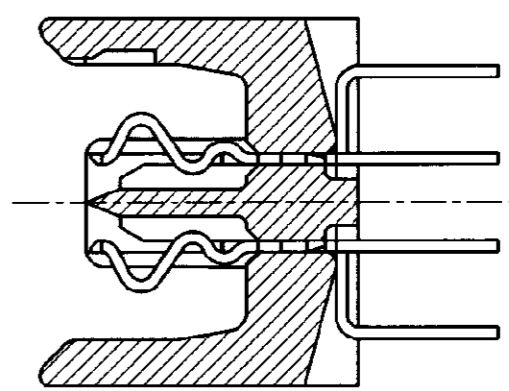


NOTE:
 1 MATERIAL: HOUSING; THERMOPLASTICS (UL 94V-0) BLACK
 CONTACT: COPPER ALLOY

2 FINISH: CONTACT: Au AT CONTACT AREA
 TIN AT TINE, OVER Ni

3. THESE PRODUCTS WERE COATED BY ANTI-FLUX MIGRATION AGENT.

4 OBSOLETE



④	29	36.83	49	62.23	—	102.87	38.63	64.03	104.67	108.11	115.49	0.76µm	160	2	7
④	19	24.13	39	49.53	—	77.47	25.93	51.33	79.27	82.71	90.09	0.76µm	120	2	5
④	—	—	—	—	49	62.23	—	—	64.03	67.47	74.85	0.76µm	100	2	4
④	—	—	—	—	39	49.53	—	—	51.33	54.77	62.15	0.76µm	80	2	3
④	39	49.53	49	62.23	—	115.57	51.33	64.03	117.37	120.81	128.19	0.3µm	180	—	8
④	29	36.83	49	62.23	—	102.87	38.63	64.03	104.67	108.11	115.49	0.3µm	160	—	7
④	29	36.83	39	49.53	—	90.17	38.63	51.33	91.97	95.41	102.79	0.3µm	140	—	6
④	19	24.13	39	49.53	—	77.47	25.93	51.33	79.27	82.71	90.09	0.3µm	120	—	5
④	—	—	—	—	49	62.23	—	—	64.03	67.47	74.85	0.3µm	100	—	4
④	—	—	—	—	39	49.53	—	—	51.33	54.77	62.15	0.3µm	80	—	3
④	—	—	—	—	29	36.83	—	—	38.63	42.07	49.45	0.3µm	60	—	2
④	—	—	—	—	19	24.13	—	—	25.93	29.37	36.75	0.3µm	40	—	1
a	A	b	B	c	C	D	E	F	G	H	GOLD PLATING	Pos.	P/N		

注記:
 1 材料:ハウジング;熱可塑性樹脂 (UL 94V-0) 色:黒
 コンタクト:銅合金

鉛フリー
LEAD FREE

2 表面仕上げ;
 コンタクト:全面ニッケル下地めっき
 接触部金めっき、脚部すずめっき

3. 本製品はフラックス上がり防止処理済み

A	O	LTR	DESCRIPTION	DATE	DWN	APVD
			REVISED PER ECR-12-013341	28MAR2013	K.M.	E.T.
			RELEASED (FJB0-0582-04)	09JUN04	T.K.	I.E.
			CHK. IENOMOTO	09JUN04		

TE TE Connectivity					
WIRE RANGE mm ² (AWG -)			INSULATION DIA mmφ		NAME AMP FH CONNECTOR PLUG (VERTICAL)
MATERIAL			FINISH		GENERAL TOLERANCE
					SIZE LOC NUMBER
			DE. T.KAWAMAE		B J C-5917631
			APP. IENOMOTO		SCALE NTS REV. A SHEET 1 OF 1

PRINT DIST

Mouser Electronics

Authorized Distributor

Click to View Pricing, Inventory, Delivery & Lifecycle Information:

[TE Connectivity:](#)

[5917631-1](#)