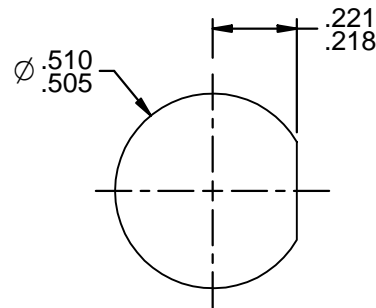


NOTES: UNLESS OTHERWISE SPECIFIED.

1. FINISH: PASSIVATED STAINLESS STEEL.
2. MAX PANEL THICKNESS: .160
3. CONCENTRIC TWINAX/TRIAX BULKHEAD MOUNT RECEPTACLE.
4. DIMPLE INDICATES CENTER CONTACT TAB.
5. LEAKAGE RATE: 1×10^{-8} ATM CC/SEC MAXIMUM OF INERT GAS (HELIUM) IAW MIL-STD-1344, REV A, METHOD 1008, TEMP. RANGE -45.6°C TO +71°C.



RECOMMENDED
PANEL CUTOUT

		Trompeter	
	RoHS 2002/95/EC	Title: BJ376HS	
<small>This PROPRIETARY Document is property of Cinch Connectivity Solutions. It is confidential in nature, non-transferable, and issued with the clear understanding that it is not traced or copied without permission and is returnable upon demand.</small>	<small>UNLESS OTHERWISE SPECIFIED</small> UNITS: INCH .XX ±.03 .XXX ±.005 ANGLES ±1°	Model No. BJ376HS	
<small>INTERPRET DRAWING IN ACCORDANCE WITH ASME Y14.5-2009</small>	Size A	DO NOT SCALE DRAWING	Date: 1/31/2013 Sheet 1 of 1

Mouser Electronics

Authorized Distributor

Click to View Pricing, Inventory, Delivery & Lifecycle Information:

[Cinch Connectivity Solutions:](#)

[BJ376HS](#)