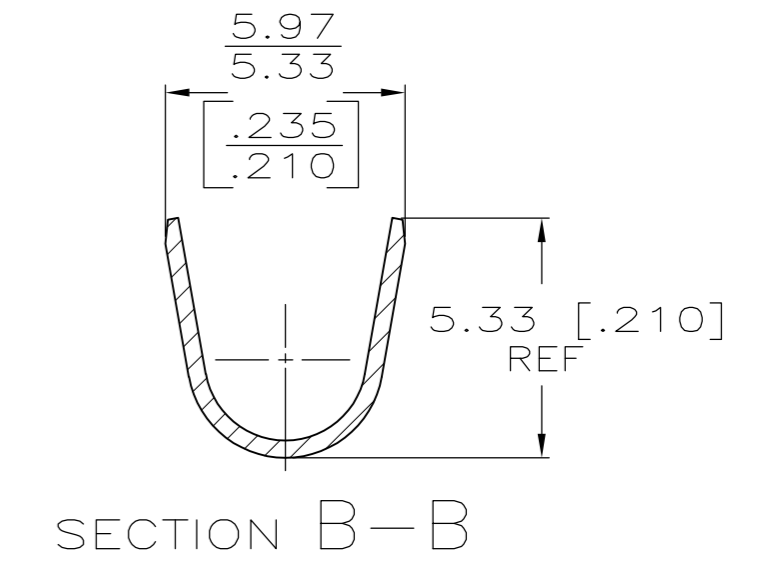
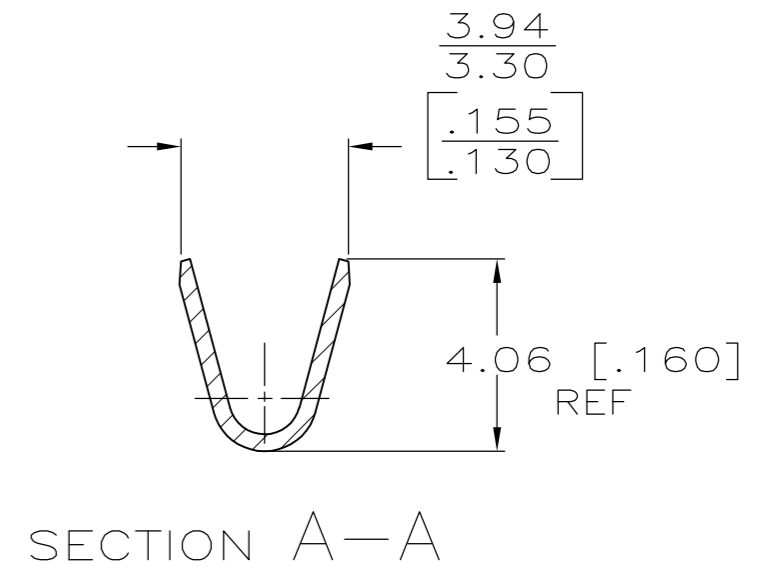
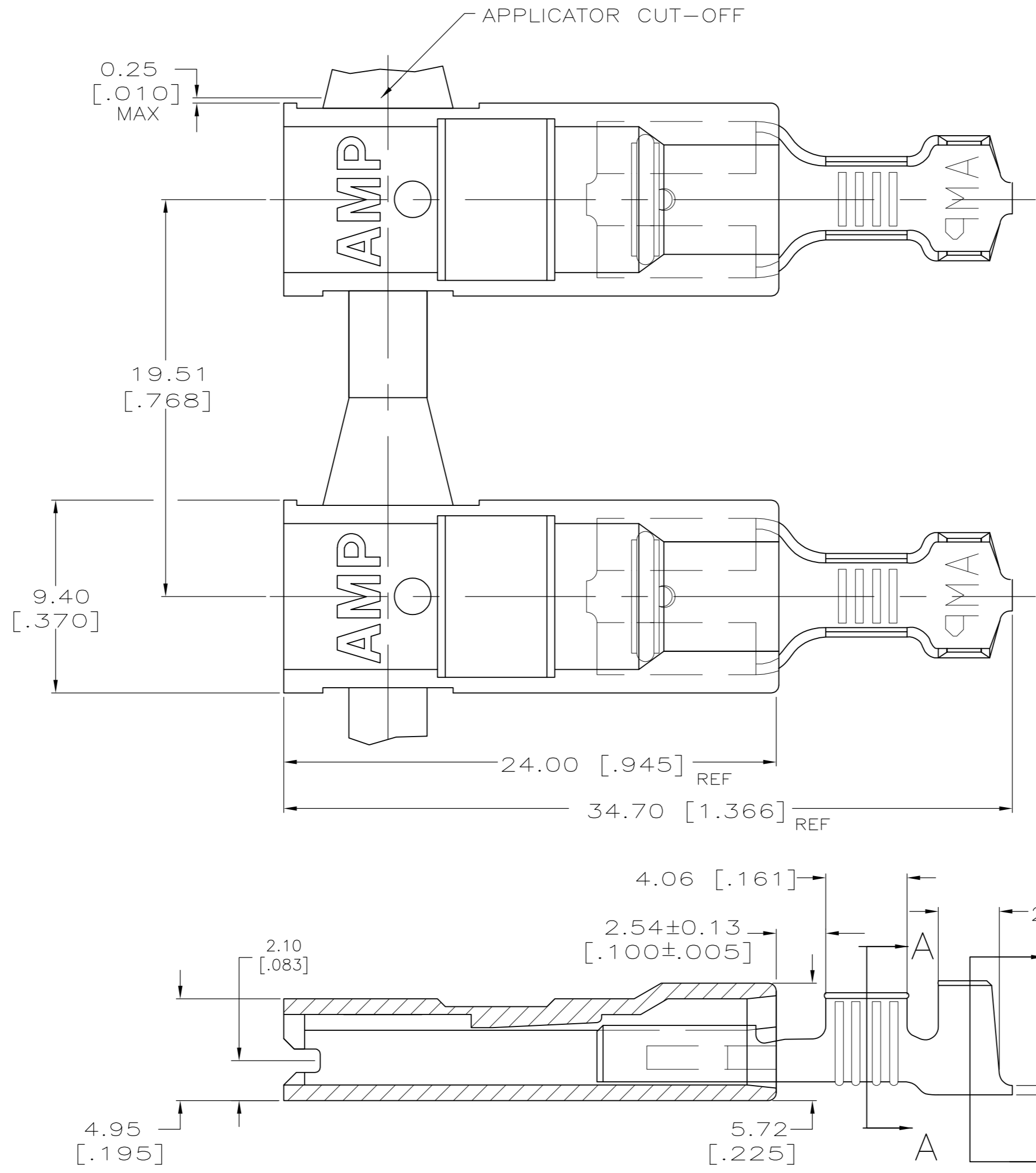


THIS DRAWING IS UNPUBLISHED. RELEASED FOR PUBLICATION  
 © COPYRIGHT BY TYCO ELECTRONICS CORPORATION. ALL INTERNATIONAL RIGHTS RESERVED.

LOC	DIST	REVISIONS			
P	LTR	DESCRIPTION	DATE	DWN	APVD
AF	50	B2	REVISED PER ECR-10-001444	22FEB10	HMR GP



- BUDGET FASTON TERMINALS, BASE P/N 63884, ARE USED IN THIS PRODUCT.
- WIRE SIZE 0.8-2.0mm [18-14] AWG
- INSULATION RANGE IS 2.79-4.32 [.110-.170] DIA.
- MATING TAB THK IS 0.813 ± 0.025 [.032 ± .001].
- OFFERED FOR CONSIDERATION IN APPLICATIONS REQUIRING "NON-DRIP" HOUSING MATERIAL.

STANDARD	MATERIAL: 4M BRASS FINISH: 0.002032 [.000080] MIN TIN	VO, NYLON 66, NATURAL (WHITE)	521848-2
STANDARD	MATERIAL: 4M BRASS FINISH: PLAIN		521848-1
PACKAGING	TERMINAL	HOUSING	PART NO.
THIS DRAWING IS A CONTROLLED DOCUMENT.		DWN JR RUTH 15SEP05 CHK G PORTA 15SEP05 APVD G PORTA 15SEP05 Tyco Electronics Corporation Harrisburg, PA 17105-3608	
DIMENSIONS:	TOLERANCES UNLESS OTHERWISE SPECIFIED:	NAME	
mm [INCHES]	0 PLC ± - 1 PLC ± - 2 PLC ± - 3 PLC ± 0.25 [.010] 4 PLC ± - ANGLES ± -	PRODUCT SPEC 108-1285 APPLICATION SPEC 114-2124	
MATERIAL	FINISH	SIZE	RESTRICTED TO
SEE TABLE	SEE TABLE	A2 00779	-
CUSTOMER DRAWING		SCALE	SHEET
		5:1	1 of 1
		REV	B2

# Mouser Electronics

Authorized Distributor

Click to View Pricing, Inventory, Delivery & Lifecycle Information:

[TE Connectivity:](#)

[521848-1](#)