

4

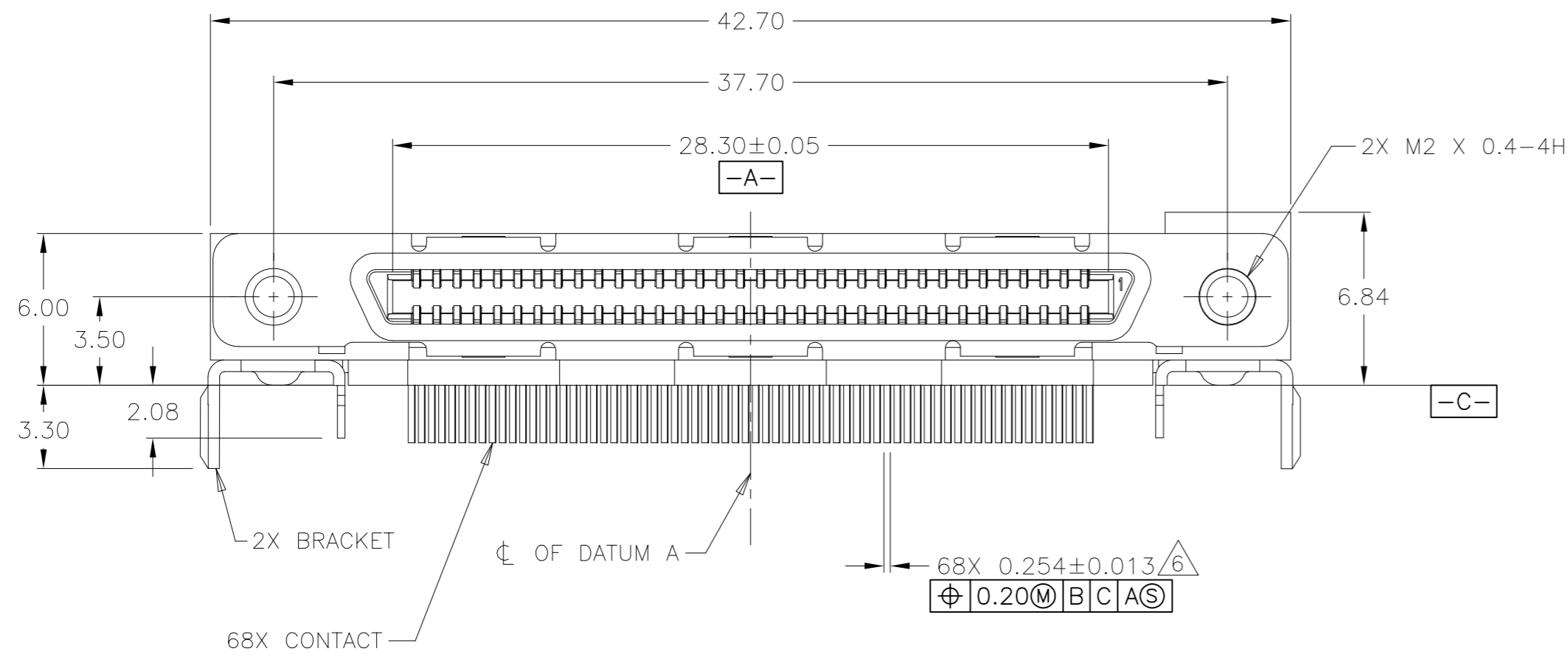
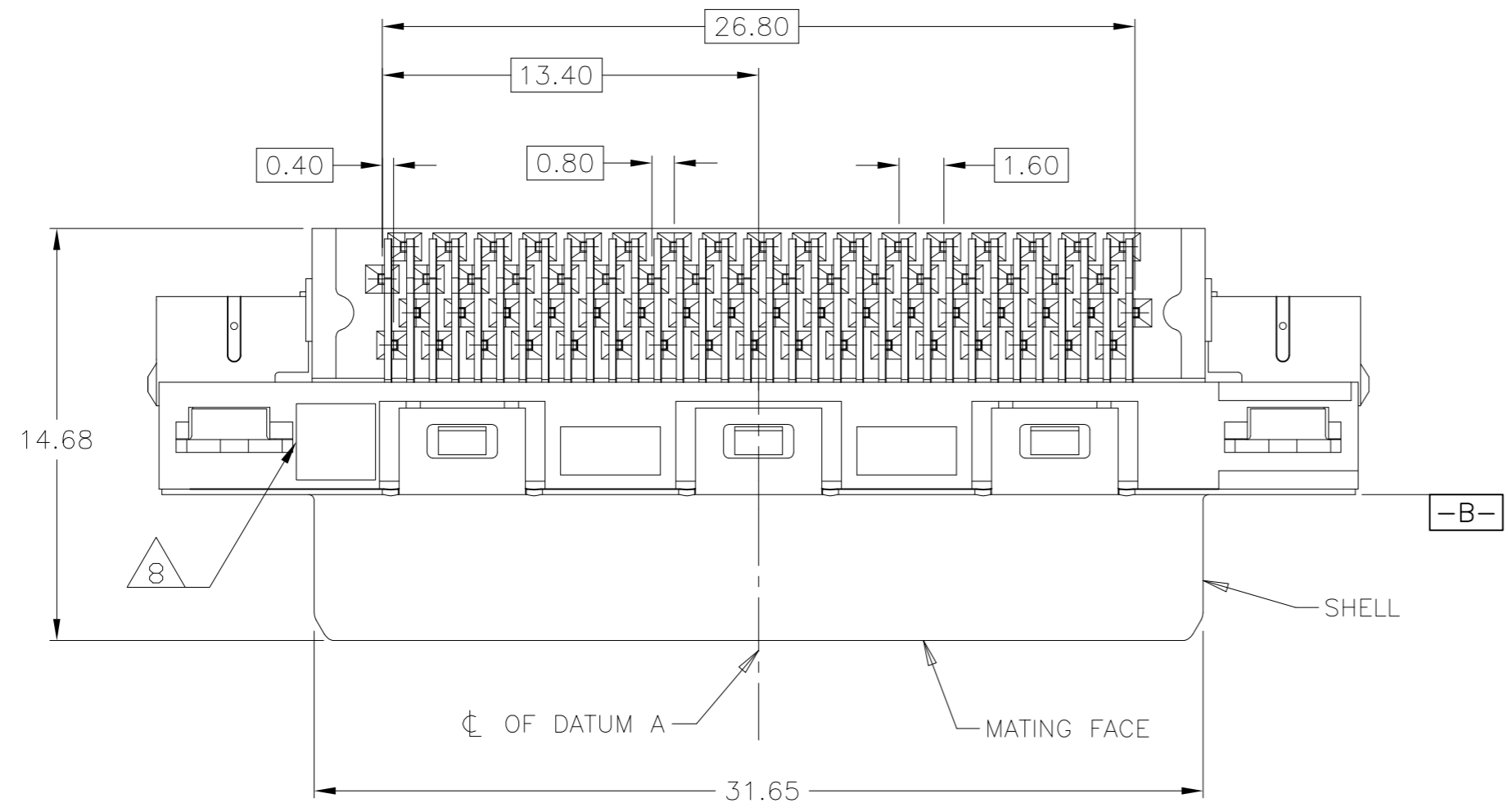
3

2

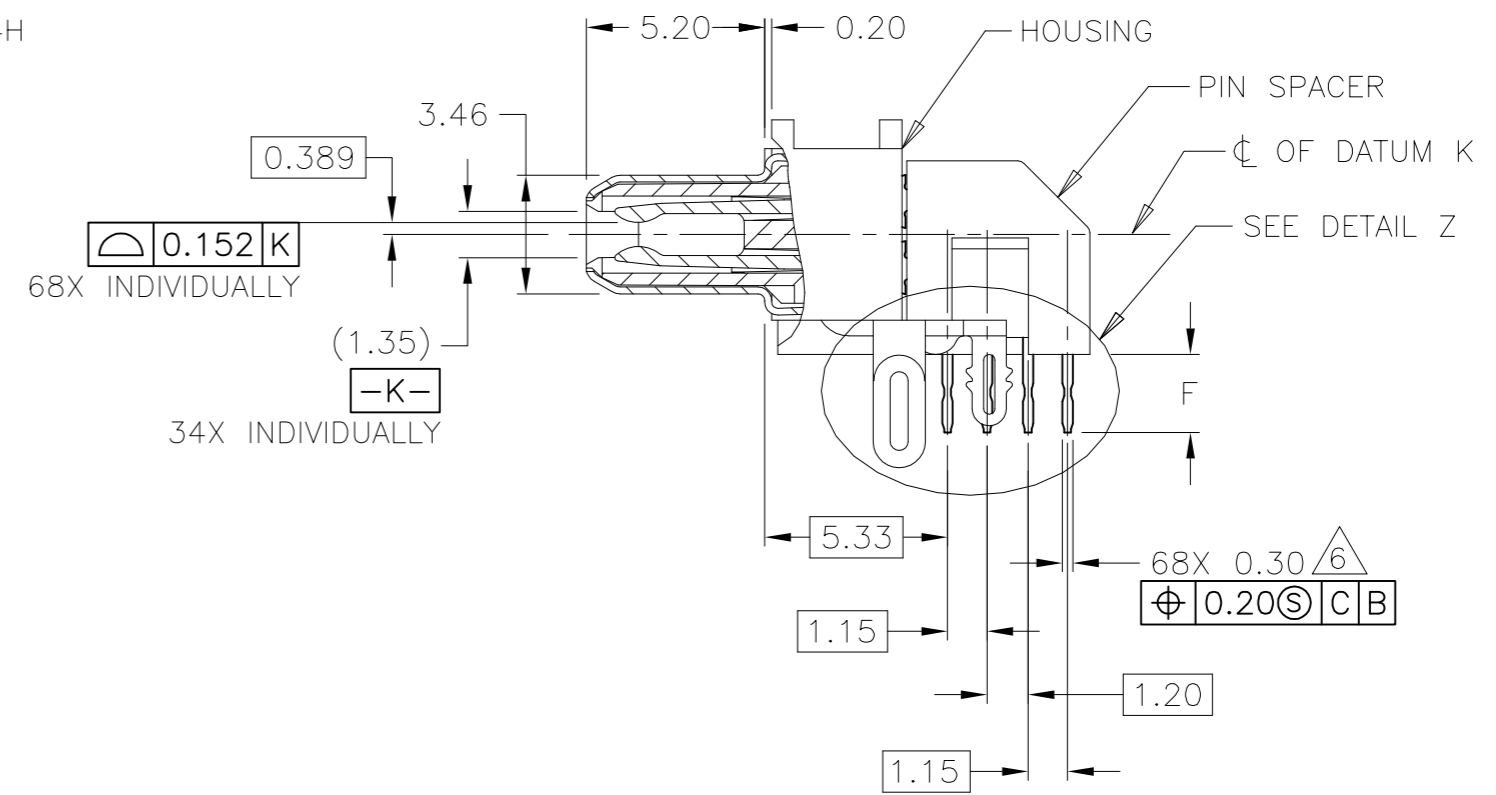
1

THIS DRAWING IS UNPUBLISHED. RELEASED FOR PUBLICATION. ALL RIGHTS RESERVED.

REVISIONS				
P	LTR	DESCRIPTION	DATE	DWN / APVD
D		REVISE PER ECO-17-008757	16JUN2017	RG / SH



- ① HOUSING & PIN SPACER: THERMOPLASTIC, BLACK, UL 94V-0 RATED. SHELL: CARBON STEEL. CONTACTS: PHOSPHOR BRONZE. BRACKETS: STEEL.
- ② SHELL: 5.08µm MIN NICKEL OVER 2.54µm MIN COPPER. CONTACTS: 0.76µm MIN GOLD ON MATING END, 3.75µm MIN TIN ON SOLDER TAILS, BOTH OVER 1.27µm MIN NICKEL ON ENTIRE CONTACT. BRACKETS: TIN PLATED.
- ③ CONTACTS DESIGNED FOR USE ON 1.60±0.15 THICK PC BOARD WITH PLATED THRU MOUNTING HOLES.
- ④ RECEPTACLE ASSEMBLY DESIGNED FOR USE WITH 1.12±0.08 THICK PANEL.
- ⑤ DATUMS AND DIMENSIONS ESTABLISHED BY CUSTOMER.
- ⑥ POSITION TOLERANCE APPLIES AT CONTACT TIP ONLY.
- ⑦ CONTACTS DESIGNED FOR USE ON 2.35±0.15 THICK PC BOARD WITH PLATED THRU MOUNTING HOLES.
- ⑧ DATE CODE MARKED IN APPROXIMATE AREA SHOWN.
- ⑨ CONTACTS DESIGNED FOR USE ON 4.34±0.15 THICK PC BOARD WITH PLATED THRU MOUNTING HOLES.



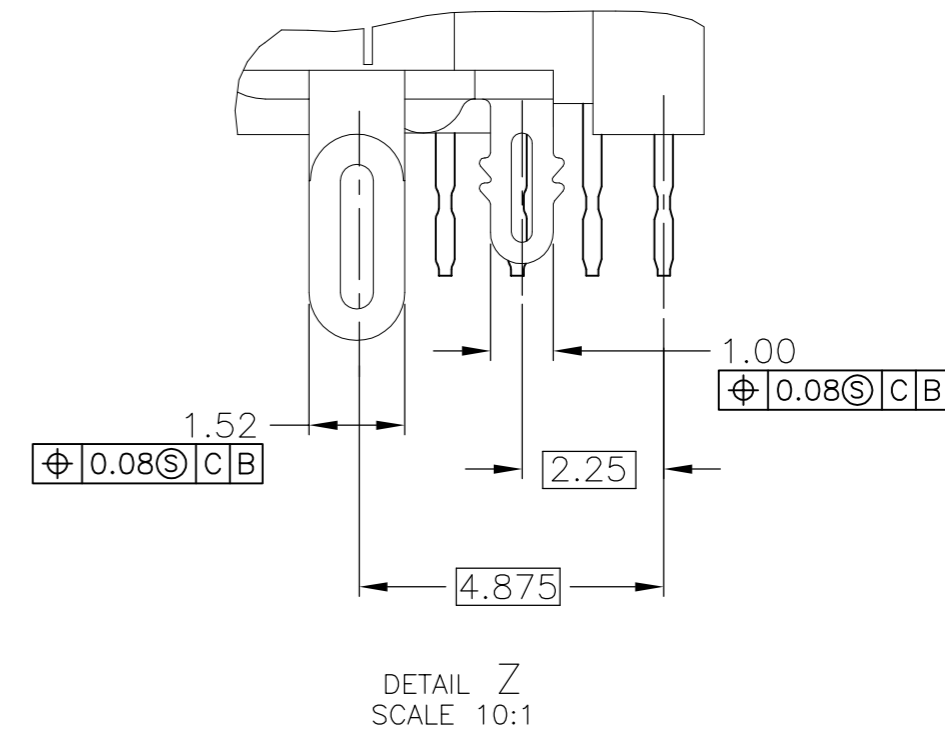
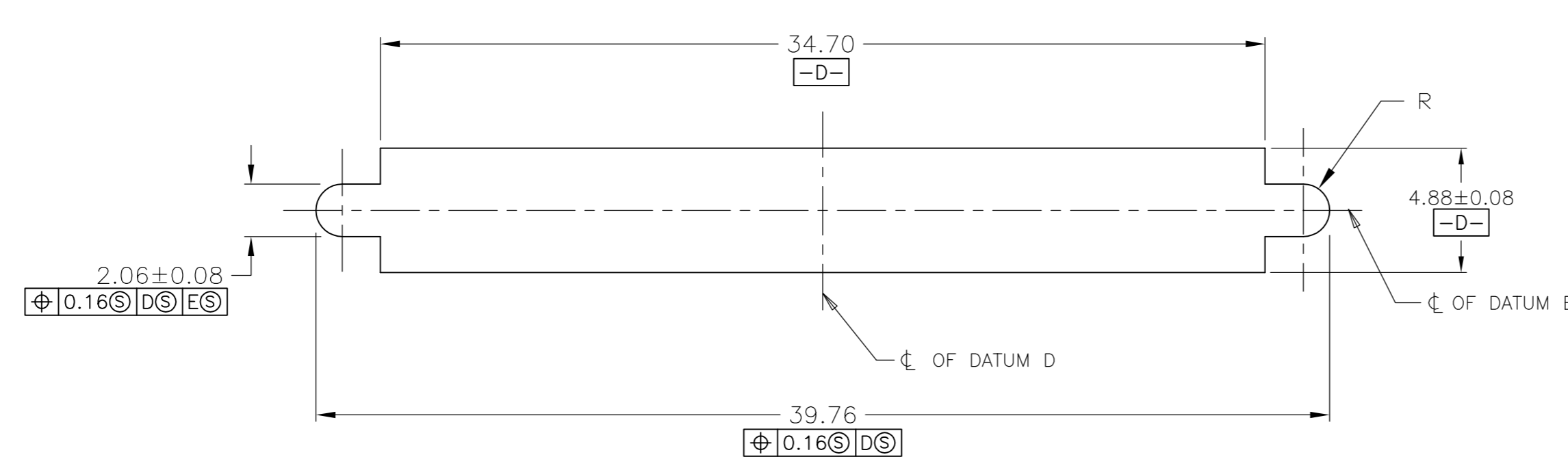
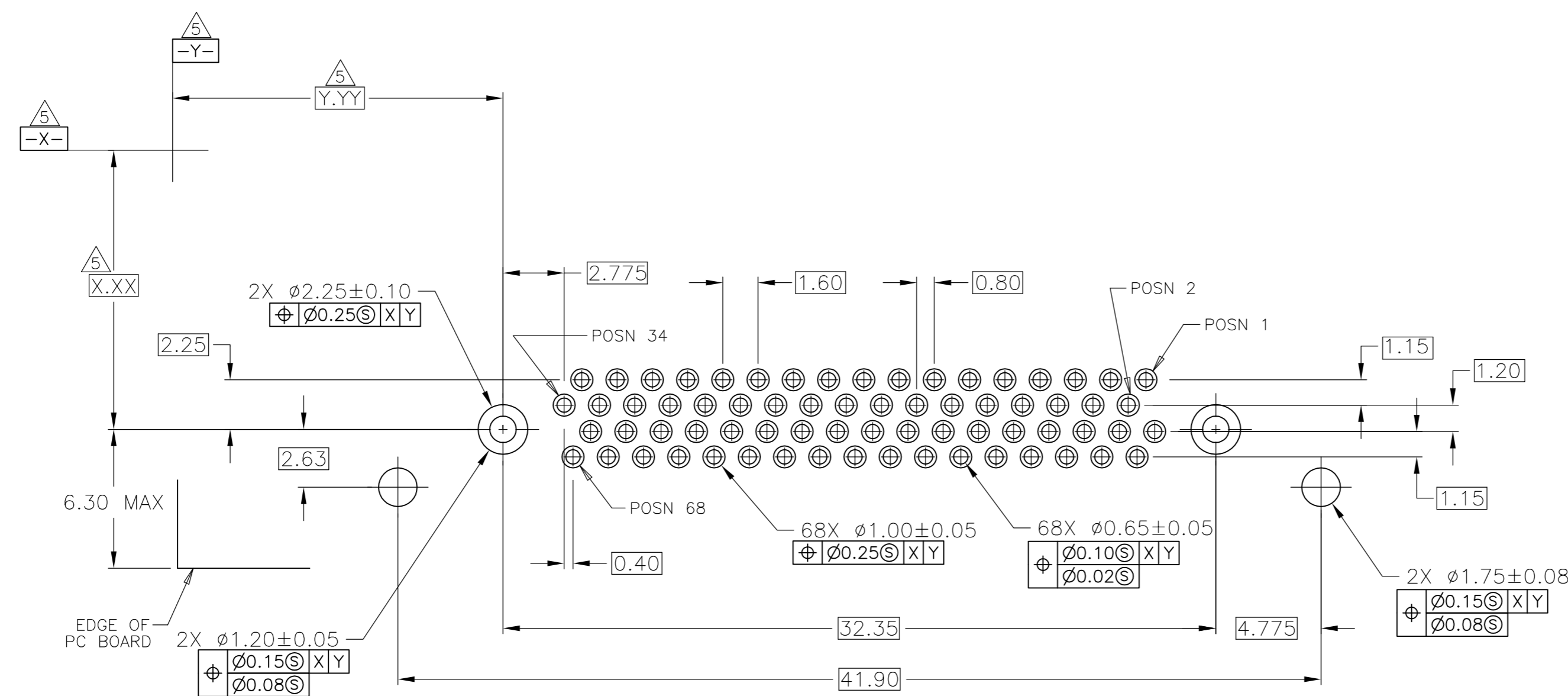
SOFT TRAY	⑨	5.59	5796055-4
HARD TRAY	⑦	3.55	5796055-3
SOFT TRAY	⑦	3.55	5796055-2
SOFT TRAY	③	2.27	5796055-1
TRAY	REMARKS	F	PART NUMBER

THIS DRAWING IS A CONTROLLED DOCUMENT.		DWN: J.GERACE 31JAN05	TE TE Connectivity	
DIMENSIONS: mm		CHK: S.SHUEY 31JAN05		
TOLERANCES UNLESS OTHERWISE SPECIFIED:		APVD: M.WALMSLEY 31JAN05	NAME: RECEPTACLE ASSEMBLY, RIGHT ANGLE, 68 POS, SHIELDED, CHAMP 0.8mm	
0 PLC ± -		PRODUCT SPEC: 108-1471	SIZE: A2	
1 PLC ± -		APPLICATION SPEC: 114-6057	CAGE CODE: 00779	
2 PLC ± 0.13		WEIGHT: 0	DRAWING NO: 5796055	
3 PLC ± -		CUSTOMER DRAWING	SCALE: 5:1	
4 PLC ± -			SHEET: 1 OF 2	
ANGLES ± -			REV: D	
FINISH: ②				

5796055

THIS DRAWING IS UNPUBLISHED. RELEASED FOR PUBLICATION
 © COPYRIGHT - By - ALL RIGHTS RESERVED.

REVISIONS					
P	LTR	DESCRIPTION	DATE	DWN	APVD
-	-	SEE SHEET 1	-	-	-



THIS DRAWING IS A CONTROLLED DOCUMENT.		DWN J.GERACE 31JAN05			TE Connectivity	
DIMENSIONS: mm		CHK S.SHUEY 31JAN05			NAME RECEPTACLE ASSEMBLY, RIGHT ANGLE, 68 POS, SHIELDED, CHAMP 0.8mm	
TOLERANCES UNLESS OTHERWISE SPECIFIED:		APVD M.WALMSLEY 31JAN05	PRODUCT SPEC 108-1471		SIZE A2	CAGE CODE 00779
0 PLC ± -		APPLICATION SPEC 114-6057		DRAWING NO C-5796055	RESTRICTED TO -	
1 PLC ± -		WEIGHT 0		SCALE 5:1	SHEET 2 of 2	
2 PLC ± 0.13		CUSTOMER DRAWING		REV D		
3 PLC ± -						
4 PLC ± -						
ANGLES ± -						
FINISH						