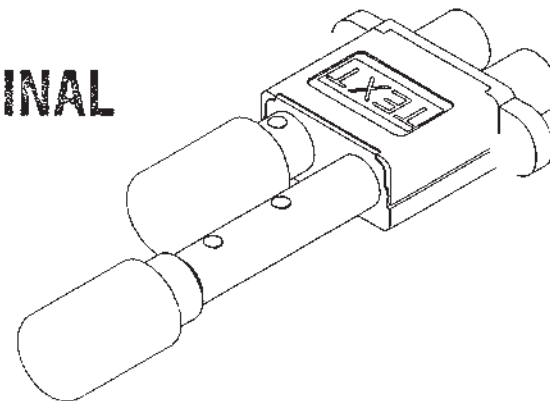


DASH NUMBER	MODEL NUMBER	VERSION
-1	HDVDPM	UNTERMINATED
-2	HDVDPMT	TERMINATED
-3	HDVDPMN	UNTERMINATED, NO ACTUATOR

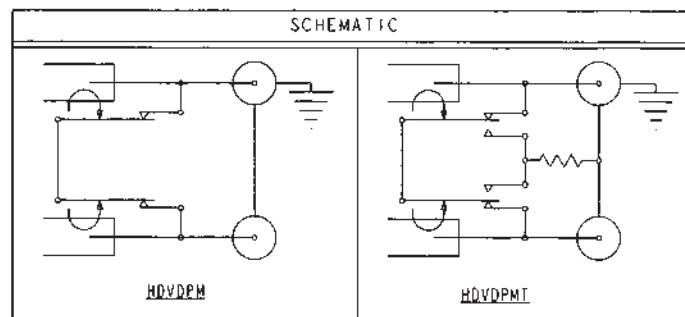
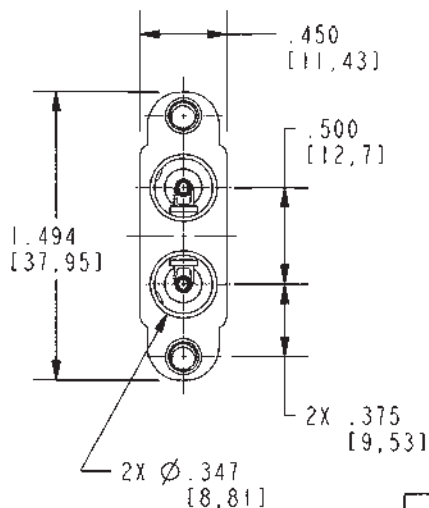
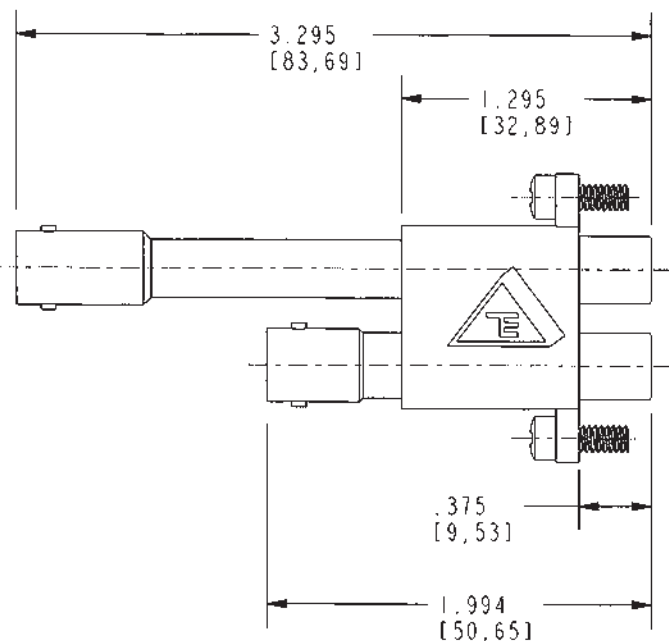
DATA CONTAINED IN THIS DOCUMENT IS PROPRIETARY TO TROMPETER ELECTRONICS INC. AND SHALL NOT BE DISCLOSED, COPIED OR USED FOR PROCUREMENT OR MANUFACTURE WITHOUT EXPRESS WRITTEN PERMISSION.

REVISIONS			
REV	DESCRIPTIONS	DATE	APPROVED
A	REVISED PER ECO 16641	6/27/08	AMC

RED INDICATES ORIGINAL



SCALE 1/1



- 75Ω HIGH DEFINITION VIDEO DUAL COAXIAL NORMAL-THROUGH MINIATURE-WEC₀ PATCH JACK. TERMINATED AND UN-TERMINATED WITH BNC RECEPTACLES
- THIS UNIT PERFORMS UP TO 2.5 GHz WITH RETURN LOSS (S11) BETTER THAN -20 dB IN NORMAL-THROUGH MODE AND BETTER THAN -15 dB IN PATCH-THROUGH MODE
- FINISH: HOUSING, TFS-1AA Ni PLATING CONTACTS: TFS-1B Au PLATING
- TERMINATED VERSION (HDVDPMT) IS SUPPLIED WITH A 75Ω 1/4 W, 1% RESISTOR
- UNIT SUPPLIED WITH TWO 6-32 MOUNTING SCREWS (LOOSE)

NOTES: UNLESS OTHERWISE SPECIFIED.

INTERPRET DRAWING PER MIL-STD-100. DIMENSIONS ARE IN INCHES AND INCLUDE FINISH THICKNESS UNLESS OTHERWISE SPECIFIED.

TOL: UNLESS SPECIFIED.
 .XX ± .02 (.51)
 .XXX ± .01 (.25)
 ANGLE ± 1°

TROMPETER
 RF connectivity
 a cinch connectivity solutions brand

DRN M JOHNSON	6-4-08	MATERIAL:	TITLE: HIGH DEFINITION VIDEO DUAL PATCH MINIATURE
CHK JRM	6-27-08	FINISH:	SIZE A
QUALITY			CAGE CODE 14949
MANUF			DRAWING NO. 1-0665
APPROVED JRM	6/27/08		REV. A
PROJ FILE NO. 1-0665		DO NOT SCALE DWG	SCALE 1/1
			DATE 4-22-08
			SHEET 1C

DATE 4-22-08

Mouser Electronics

Authorized Distributor

Click to View Pricing, Inventory, Delivery & Lifecycle Information:

[Cinch Connectivity Solutions:](#)

[HDVDPM](#)