



DC axial fans

Series 6200 NU Ø172 x 51 mm



Highlights:

- Motor protection against reverse polarity and locking.
- Air exhaust over struts
- Connection via leads 310 mm AWG 22, TR 64, bared and tin-plated
- Ingress protection rating of IP68

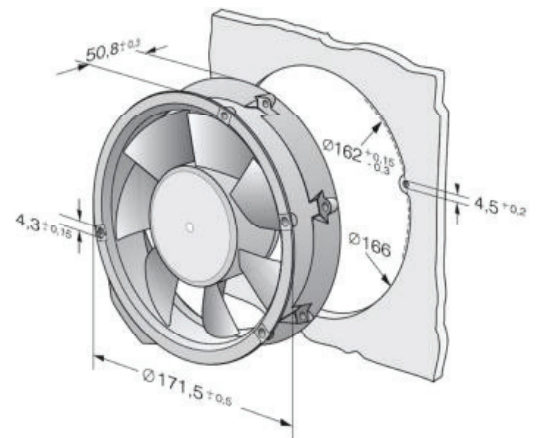
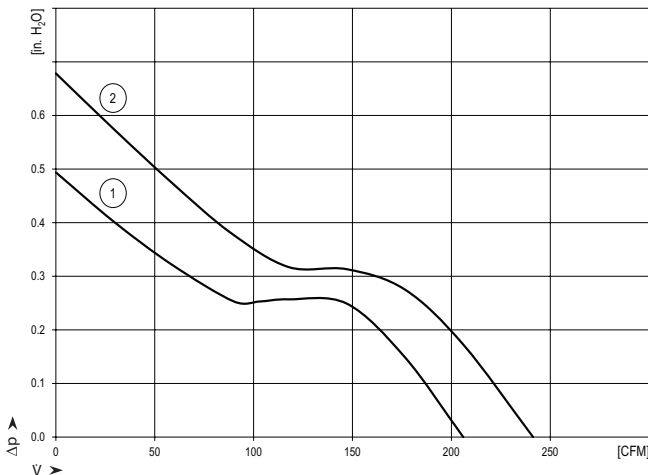
Material: Housing: Die-cast aluminum

Impeller: Fiberglass-reinforced PA composite

Direction of rotation: Counterclockwise, seen on rotor

Nominal Data		Air flow	Nominal voltage	Voltage range	Sound pressure level	Sound power level	Ball bearings	Power input	Speed	Temperature range	Mass	Ingress Protection Rating	UL Approval	Curves
Type		CFM	VDC	VDC	dB(A)	Bel(A)		Watts	RPM	°C	g			
6224 NMU		206.0	24	12...32	50	5.7	Yes	11.6	2950	-20...60	840	IP68	Yes	1
6224 NU		241.3	24	12...28	55	6.1	Yes	15.6	3400	-20...72	840	IP68	Yes	2

Curves



Mouser Electronics

Authorized Distributor

Click to View Pricing, Inventory, Delivery & Lifecycle Information:

[ebm-papst:](#)

[6224NU](#) [6224NMU](#)