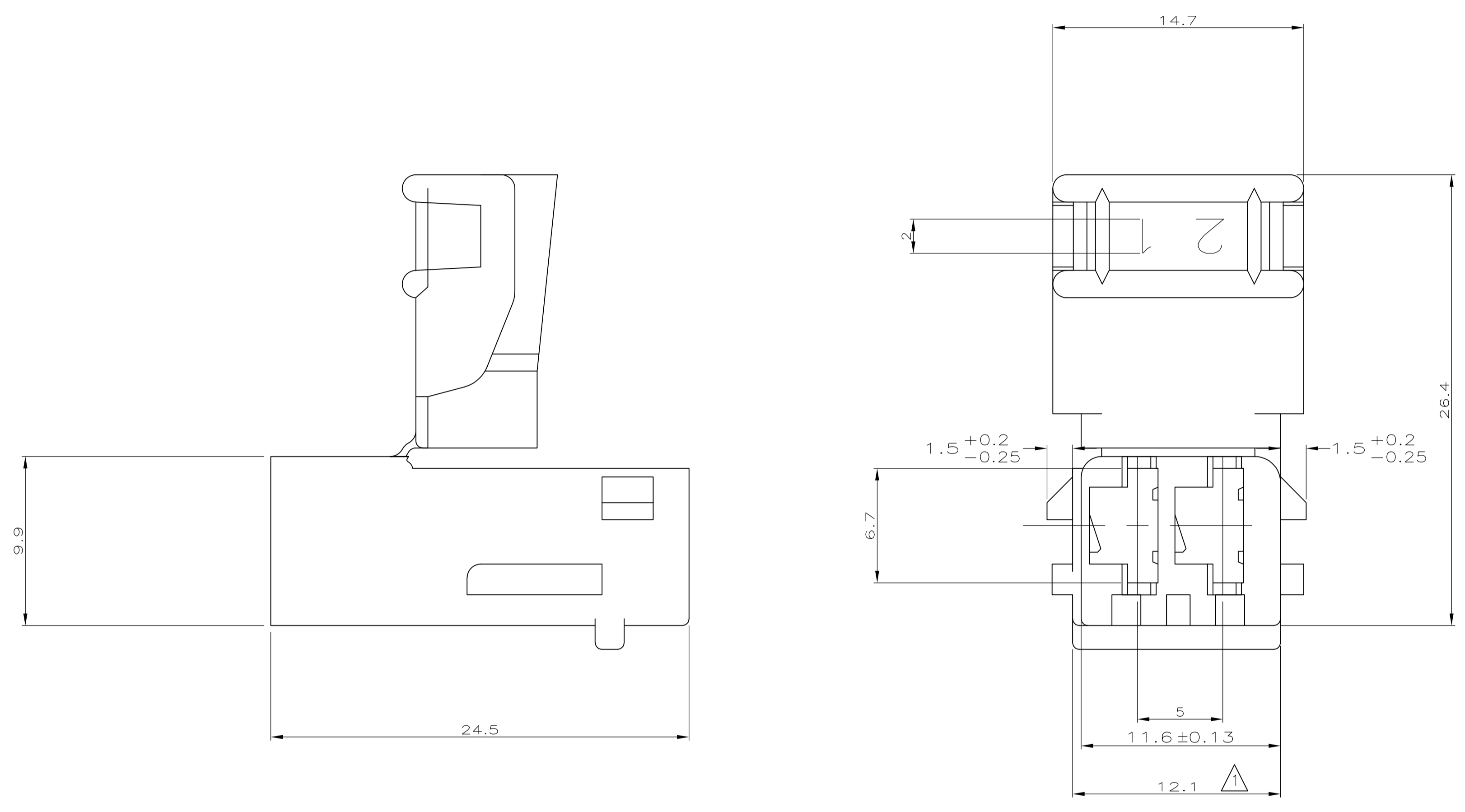
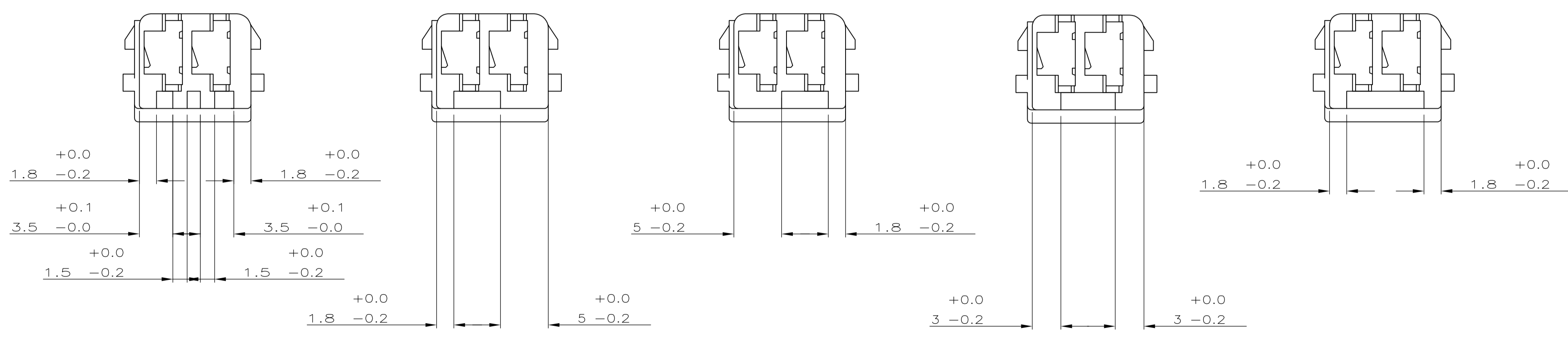


LOC		DIST		REVISIONS			
F	7	P	LTR	DESCRIPTION	DATE	DWN	APVO
		REV		MODIFICATIONS		DESS	APP
		H1		REVISED PER ECO-11-005150	21MAR11	RK	HMR



NOTE  $\triangle$ : 11.6 MINI ADMIS AVEC DEFORMATION



142680-4	142680-9	142680-1	142680-2	142680-0	1 SAC: 3200 PIECES 1 BAG: 3200 PARTS
142680-7	142680-8	1-142680-1	142680-6	1-142680-0	8 SACS: 400 PIECES PAR SAC (8 BAGS: 400 PARTS BY BAG)
JAUNE (YELLOW)	BLANC (WHITE)	MARRON (BROWN)	ROUGE (RED)	NOIR (BLACK)	COULEUR (COLOR)

THIS DRAWING IS A CONTROLLED DOCUMENT.  
 CE PLAN EST UN DOCUMENT CONTROLE

DIN/DESSINE 29-APR-97  
 Remi FATIN  
 CHK/VERIFIE 05-OCT-98  
 JP PICAUD  
 APVO/APPROUVE 05-OCT-98  
 JL REVIL

MME TITRE BOITIER POSTIVE LOCK 2 VOIES

PRODUCT SPEC. S'PLIC PROCDIT 108-15036  
 APPLICATION SPEC. S'PLIC APPLICATION 114-15008

WEIGHT MASSE APPROX 1.640g  
 CUSTOMER DRAWING/PLAN CLIENT POUR REFERENCE

UNIFORMENT SCALE ECHELLE 5:1  
 SHEET FEUILLE 1 DE 1

RESTRICTED TO RESERVE A

SIZE FORMAT A1  
 CASE CODE 00779  
 DRAWING NO N° PLAN 142680

REVISIONS

CONDITIONNEMENT (PACKAGING)

MATERIAL MATIERE PA 6.6  
 FINISH FINITION -

# Mouser Electronics

Authorized Distributor

Click to View Pricing, Inventory, Delivery & Lifecycle Information:

[TE Connectivity:](#)

[142680-9](#)