

THIS DRAWING IS UNPUBLISHED. RELEASED FOR PUBLICATION
 © COPYRIGHT - By - ALL RIGHTS RESERVED.

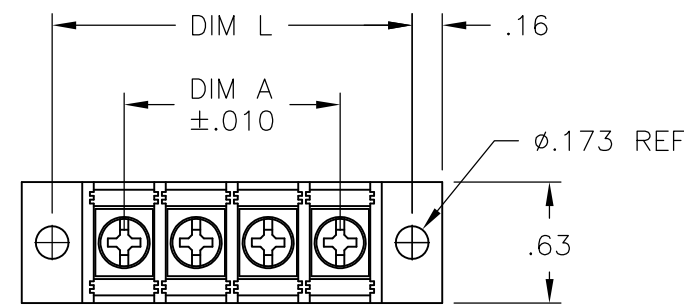
LOC	DIST	REVISIONS			
P	LTR	DESCRIPTION	DATE	DWN	APVD
	G4	REVISED PER ECO-11-004917	11MAR11	RK	HMR

MATERIAL:
 HOUSING: THERMOPLASTIC, UL94V-0, BLACK.
 TERMINALS: BRIGHT TIN OVER COPPER ALLOY.
 SCREWS: #6-32 STEEL, ZINC PLATING W/ CLEAR CHROMATE.(UNLESS OTHERWISE STATED.)
 PITCH (TERMINAL SPACING): .375"

ELECTRICAL:
 RATED CURRENT UL/CSA:
 CLASS C: 20A, 300V
 CLASS D: 5A, 600V
 WIRE RANGE: 12-22 AWG

MECHANICAL:
 RECOMMENDED TORQUE: 7 IN-LB
 OPERATING TEMP.: 105°C MAX

- ① SCREWS ARE STAINLESS STEEL.
- ② SEE FIGURE.
- ③ SCREWS ARE NICKEL PLATED BRASS.
- ④ OBSOLETE PARTS: OBSOLETE CIS STREAMLINING PER D.RENAUD/D.SINISI



	DIM. L	DIM. A	NO. OF POS.	CATALOG NUMBER	PART NO.
	9.000	8.250	23	JC6-Q307-23	1546700-9
①	8.625	7.875	22	JC6-Q307-22-226	1776007-8
	8.625	7.875	22	JC6-Q307-22	1546700-8
	8.250	7.500	21	JC6-Q307-21	1546700-7
	7.875	7.125	20	JC6-Q307-20	1546700-6
	7.500	6.750	19	JC6-Q307-19	1546700-5
①	7.125	6.375	18	JC6-Q307-18-225	1776007-7
	7.125	6.375	18	JC6-Q307-18	2-796985-1
	6.750	6.000	17	JC6-Q307-17	1546700-4
①④ OBSOLETE	6.375	5.625	16	JC6-Q307-16-197	1776007-4
	6.375	5.625	16	JC6-Q307-16	6-1437666-1
	6.000	5.250	15	JC6-Q307-15	6-1437665-1
①④ OBSOLETE	5.625	4.875	14	JC6-Q307-14-195	1776007-2
	5.625	4.875	14	JC6-Q307-14	1546700-3
	5.250	4.500	13	JC6-Q307-13	1546700-2
	4.875	4.125	12	JC6-Q305-12	4-796985-0
	4.875	4.125	12	JC6-Q307-12	6-1437665-0
	4.500	3.750	11	JC6-Q307-11	1546700-1
	4.125	3.375	10	JC6-Q307-10	5-1437665-9
	3.750	3.000	9	JC6-Q307-09	5-1437665-8
①④ OBSOLETE	3.375	2.625	8	JC6-Q307-08-196	1776007-3
	3.375	2.625	8	JC6-Q307-08	5-1437665-7
	3.000	2.250	7	JC6-Q307-07	5-1437665-6
	2.625	1.875	6	JC6-Q307-06-269	1-1776007-0
②④ OBSOLETE	2.625	1.875	6	JC6-Q307-06-206	1776007-6
	2.625	1.875	6	JC6-Q307-06-203	1776007-5
	2.625	1.875	6	JC6-Q307-06	5-1437665-5
①④ OBSOLETE	2.250	1.500	5	JC6-Q307-05-194	1776007-4
	2.250	1.500	5	JC6-Q307-05	5-1437665-4
③	1.875	1.125	4	JC6-Q305-04	1776007-9
	1.875	1.125	4	JC6-Q307-04	5-1437665-3
	1.500	.750	3	JC6-Q307-03	5-1437665-2
	1.125	.375	2	JC6-Q307-02	5-1437665-1

THIS DRAWING IS A CONTROLLED DOCUMENT.		DWN S SCHLEGEL 5/27/03	STE TE Connectivity	
DIMENSIONS: INCHES		CHK S YODER 5/27/03		
TOLERANCES UNLESS OTHERWISE SPECIFIED:		APVD S YODER 5/27/03	NAME	
0 PLC ± -		PRODUCT SPEC	JC6-Q307-XX ASSEMBLY	
1 PLC ± -		APPLICATION SPEC	RESTRICTED TO	
2 PLC ± .01		WEIGHT -	SIZE A3	CAGE CODE 00779
3 PLC ± .005		CUSTOMER DRAWING	DRAWING NO C-5-1437665-1	SCALE NTS
4 PLC ± -			SHEET 1 OF 2	REV G4
ANGLES ± -				
FINISH -				

THIS DRAWING IS UNPUBLISHED.

RELEASED FOR PUBLICATION

-. -. .

© COPYRIGHT - By -

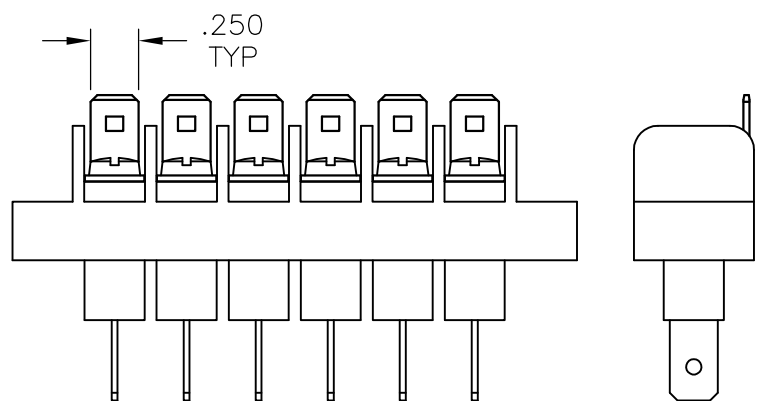
ALL RIGHTS RESERVED.

LOC
FT

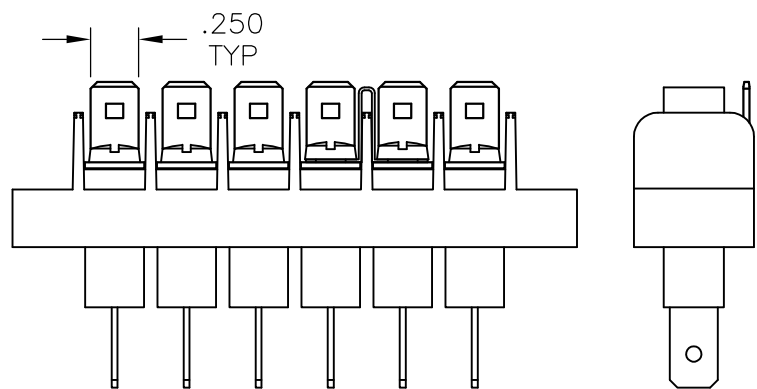
DIST
0

REVISIONS

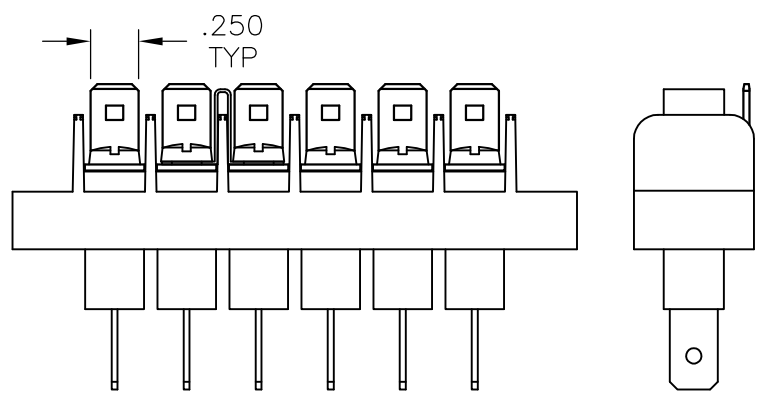
P	LTR	DESCRIPTION	DATE	DWN	APVD
-	-	SEE SHEET 1	-	-	-



~~1776007-5~~ Δ 4 OBSOLETE



~~1776007-6~~ Δ 4 OBSOLETE



1-1776007-0

THIS DRAWING IS A CONTROLLED DOCUMENT.

DWN S SCHLEGEL 5/27/03

CHK S YODER 5/27/03

APVD S YODER 5/27/03

PRODUCT SPEC

APPLICATION SPEC

WEIGHT -

CUSTOMER DRAWING



NAME

JC6-Q307-XX ASSEMBLY

SIZE

CAGE CODE

DRAWING NO

A3 00779 C-5-1437665-1

RESTRICTED TO

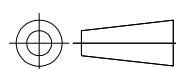
-

SCALE NTS

SHEET 2 OF 2

REV G4

DIMENSIONS:
INCHES



TOLERANCES UNLESS OTHERWISE SPECIFIED:

- 0 PLC ± -
- 1 PLC ± -
- 2 PLC ± .01
- 3 PLC ± .005
- 4 PLC ± -
- ANGLES ± -

MATERIAL

-

FINISH

-

Mouser Electronics

Authorized Distributor

Click to View Pricing, Inventory, Delivery & Lifecycle Information:

[TE Connectivity:](#)

[JC6-Q305-12](#)