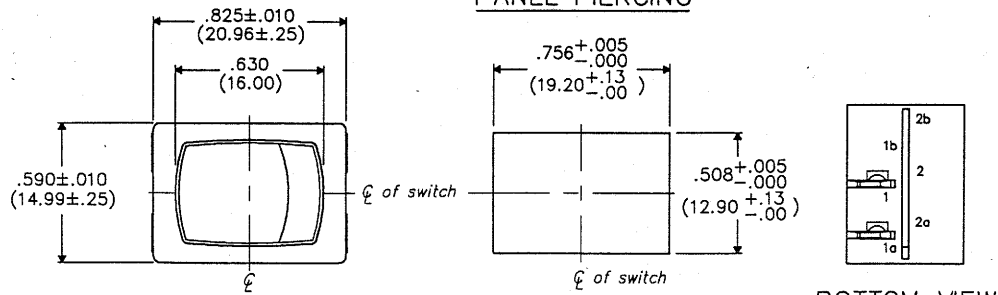


DIMENSIONS IN INCHES (MILLIMETERS)
DO NOT SCALE DRAWING

Dwg. No.

GRS-4011-0000

PANEL PIERCING



MATERIAL:

- ROCKER KNOB- Nylon 94V-2
- HOUSING- Nylon 94V-2
- TERMINAL/STATIONARY/MOVING CONTACT- Copper alloy, and/or copper alloy clear chromate plated.
- SPRING- music wire
- PLUNGER- plated steel

PERFORMANCE STANDARDS-

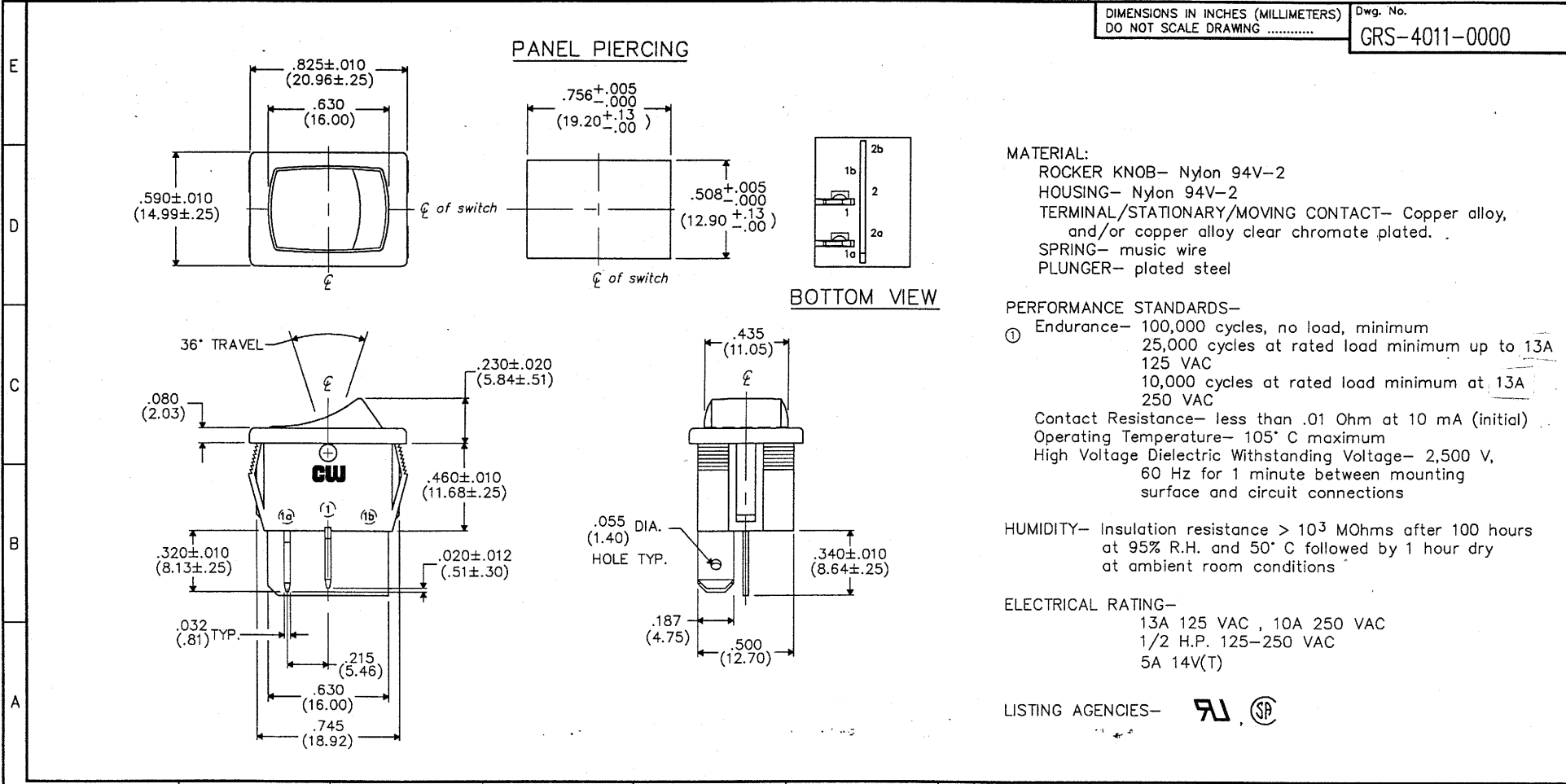
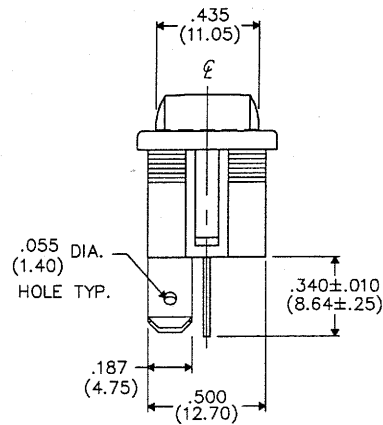
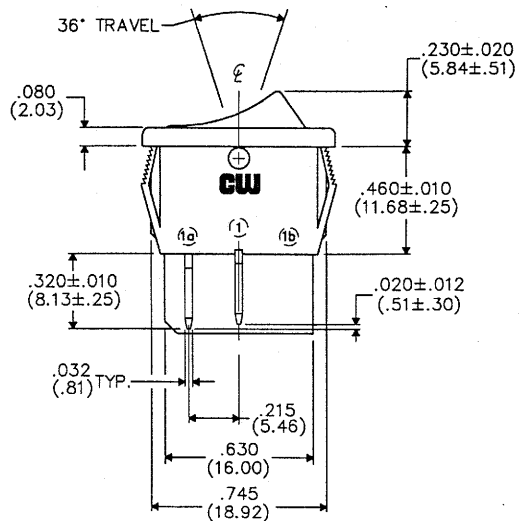
- ① Endurance- 100,000 cycles, no load, minimum 25,000 cycles at rated load minimum up to 13A 125 VAC, 10,000 cycles at rated load minimum at 13A 250 VAC
- Contact Resistance- less than .01 Ohm at 10 mA (initial)
- Operating Temperature- 105° C maximum
- High Voltage Dielectric Withstanding Voltage- 2,500 V, 60 Hz for 1 minute between mounting surface and circuit connections

HUMIDITY- Insulation resistance > 10³ MOhms after 100 hours at 95% R.H. and 50° C followed by 1 hour dry at ambient room conditions

ELECTRICAL RATING-

- 13A 125 VAC , 10A 250 VAC
- 1/2 H.P. 125-250 VAC
- 5A 14V(T)

LISTING AGENCIES-



FORM-B4	REVISIONS	0
	RELEASED	DGW 7-26-00
	AUG 26 2000	1
	13A WAS 16A IN TWO PLACES IN ENDURANCE NOTES.	
	DGW 10-31-2000	
	AW 11-1-00	

CW INDUSTRIES
Southampton, Pa. 18966

TOLERANCES UNLESS OTHERWISE SPECIFIED

2 Place Decimal ±.010	METRIC
3 Place Decimal ±.005	1 Place Dec. ±.25mm
Angles ±1°	2 Place Dec. ±.13mm

Made for: CW IND.

Drawn by: DGW 7-26-00

Checked by: G. Guls 7-26-00

Approval: *[Signature]* 7-26-00

Title: **ROCKER SWIDGET ASSEMBLY (POP IN) S.P.- S.T.**

Division: **SWITCH**

Dwg. No. **GRS-4011-0000**

MASTER

Mouser Electronics

Authorized Distributor

Click to View Pricing, Inventory, Delivery & Lifecycle Information:

[CW Industries:](#)

[GRS-4011-0000](#)