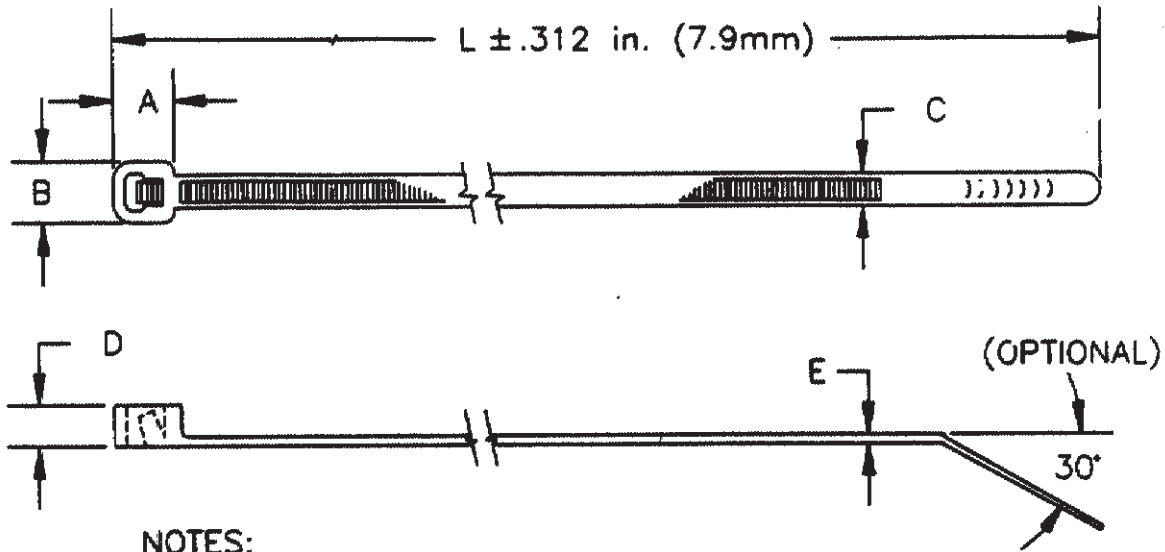


DRAWING MADE IN THIRD ANGLE PROJECTION

DWG NO. 603222

UNIT OF MEASURE	A	B	C	D	E	L		MAX. BUNDLE DIA.	MIN. TENSILE STRENGTH
INCHES	.389	.502	.298	.326	.075	29.78		8.75	120 lbs.
MM	9.88	12.75	7.57	8.28	1.91	756.		222.	54.43 kg.

THIS INFORMATION IS CONFIDENTIAL AND IS DISCLOSED TO YOU ON CONDITION THAT NO FURTHER DISCLOSURE IS MADE BY YOU TO OTHER THAN AMP PERSONNEL WITHOUT WRITTEN AUTHORIZATION FROM AMP INCORPORATED, HARRISBURG, PA.



NOTES:

1. MOISTURIZED 1 TO 2.5% WATER.
2. PACKAGED IN HEAT SEALED 3 MIL POLYBAG WITH LABEL PER DWG 404707.
3. MIL No. MS3367-6.

AFC ENGINEERING

JUL 13 1997

ISSUED BY *acc*

CUSTOMER DRAWING UNPUBLISHED

LOC	DWG SIZE	PART No.	DESCRIPTION	ITEM NO
D		4-603222-9	NATURAL 50 TY9HS	
		4-603222-0	BLACK 50 TY9HSB	
QTY. REQ'D. PER ASSY.	REVISION OF EACH ASSY NO. (WHEN BLANK, USE DWG REVISION)			
1	PARTS LIST			
	MATERIAL	HEAT TREAT	FINISH	
	NYLON 6/6			
	DIMENSIONS ARE IN INCHES	DRAWN BY:	DATE:	APPROVED BY:
	TOLERANCES UNLESS OTHERWISE SPECIFIED:	AD-TEK/VL	6/25/90	
	2 PL DEC ±	CHECK BY:	RELEASE:	
	3 PL DEC ± .039	BTM 6/90	J. Harner 6/90	
	4 PL DEC ±	AMP AMP INCORPORATED Harrisburg, Pa.		
	ANGLES ±	NAME: HEAVY DUTY		
	SURF TEXTURE: J	CABLE TIE 29--3/4 INCH		
	REMOVE BURRS. BREAK SHARP EDGES. .015 R. MAX.	SCALE:	DRAWING No.:	SHEET :
		A	603222	1 OF 1
				REV.:
				B
P	F	LTR	REVISION RECORD	APP
				DATE
				6/90