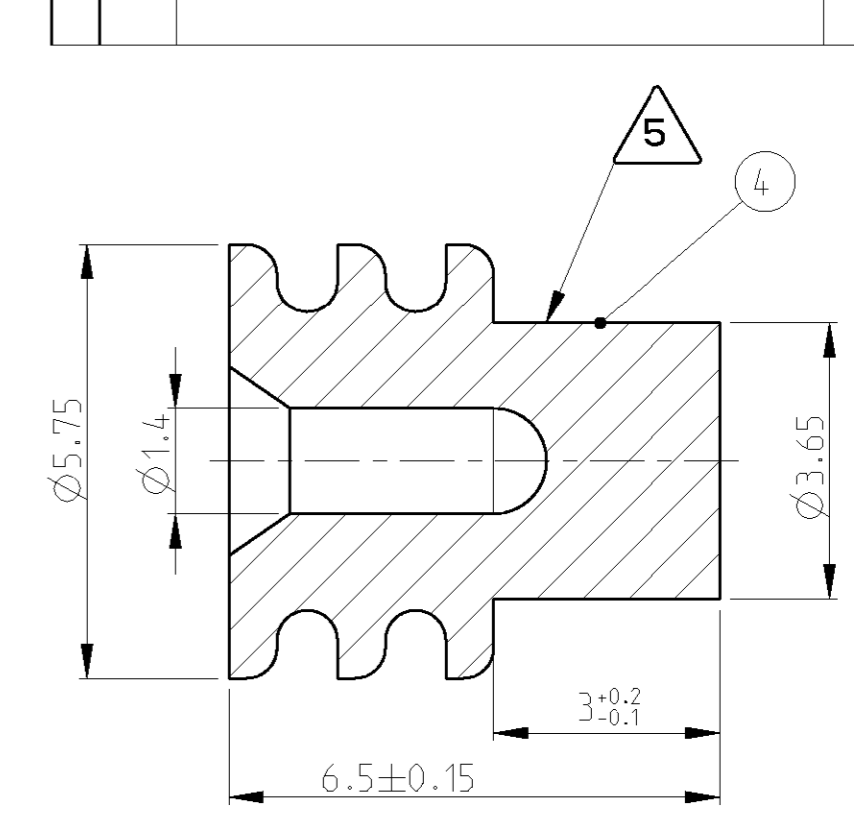
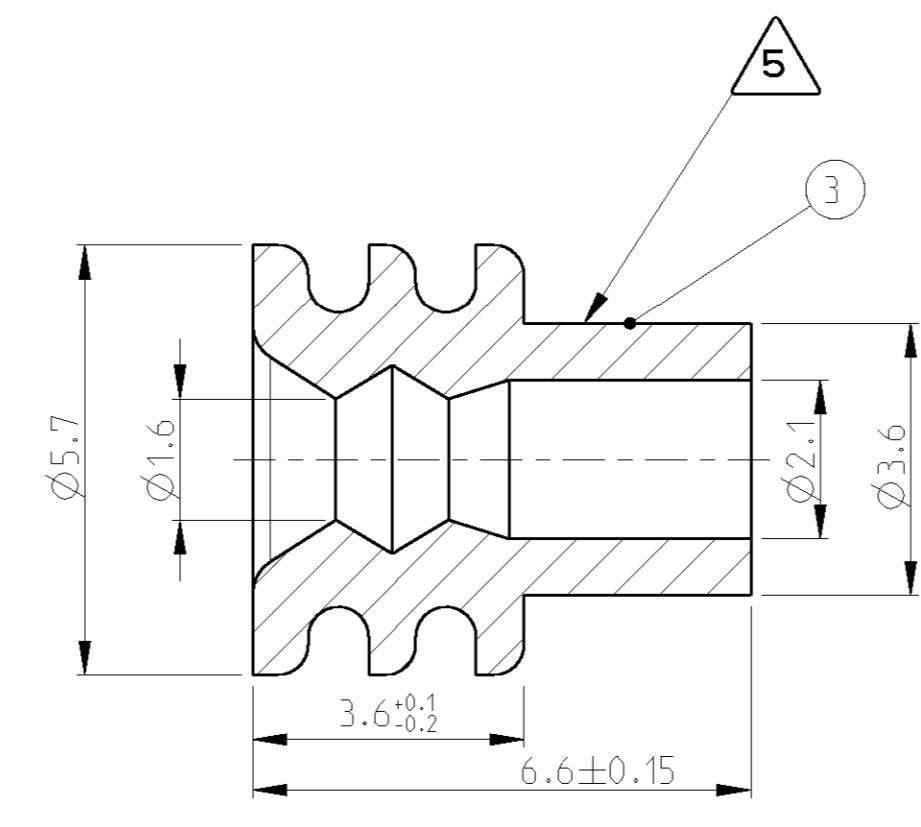
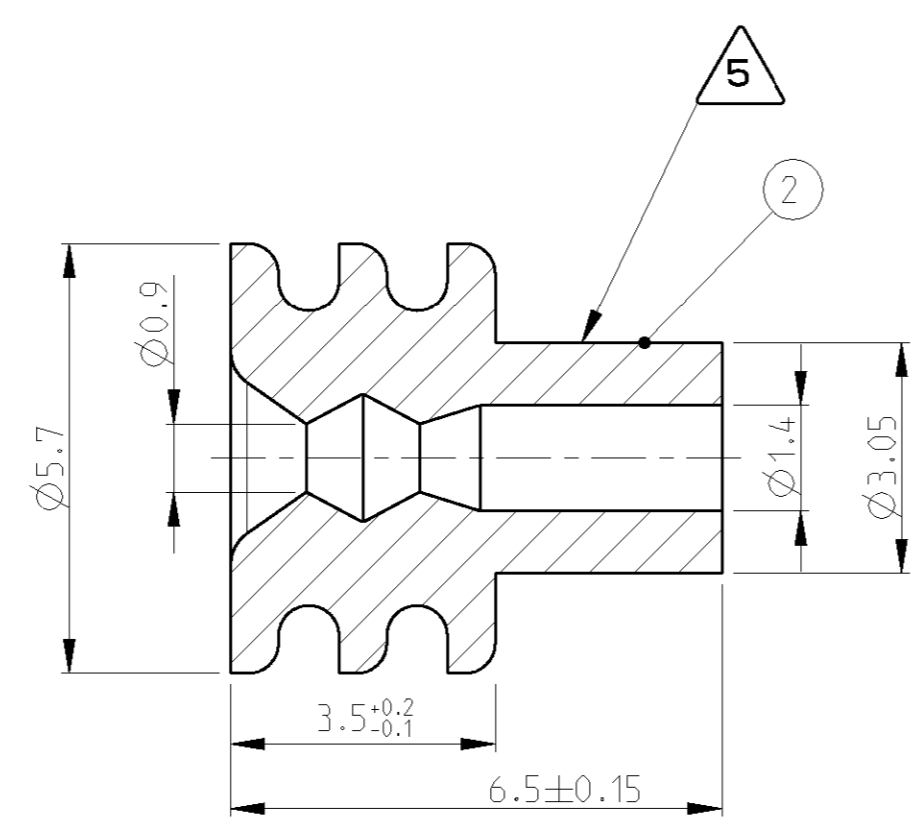
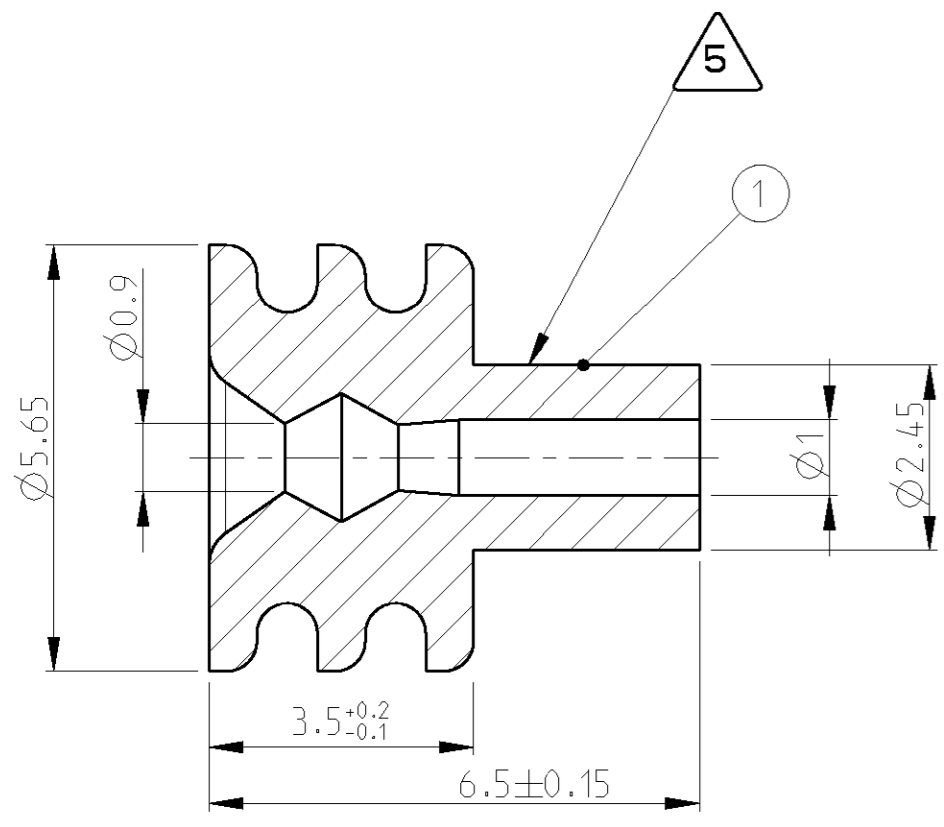


THIS DRAWING IS UNPUBLISHED. RELEASED FOR PUBLICATION 2000
 © COPYRIGHT 2000 BY TYCO ELECTRONICS CORPORATION. ALL RIGHTS RESERVED.

LOC	DIST	REVISIONS					
		P	LTR	DESCRIPTION	DATE	DWN	APVD
A1	-	A		EG00-2668-01	10SEP2001	SS	JE
		A1		EG00-2859-01	20SEP2001	SS	JE



GROMMET, BLACK, 0.22 - 0.35mm²
 USED FOR INSULATION DIAMETER 1.2-1.4mm

T&B UNIVERSAL PART No	106099
TYCO PART No	1-1437713-1
T&B FORD PART No	-
FORD PART No	91AG-10C930-AA
TYCO PART No	1 9-1437714-1

GROMMET, RED, 0.5 - 1.0mm²
 USED FOR INSULATION DIAMETER 1.4 - 2.1mm

T&B UNIVERSAL PART No	106100
TYCO PART No	1-1437713-2
T&B FORD PART No	-
FORD PART No	89FG-10C930-AA
TYCO PART No	2 1-1437708-5

MATERIAL: SILICON, SELFGREASING/
 Werkstoff: Silikon, selbsschmierend

TENSILE STRENGTH: MIN. 6.0N/mm²/DIN 53504 S-2
 Zugfestigkeit: min. 6.0 N/mm² /DIN 53504 S-2

ELONGATION: MIN. 375% /DIN 53504 S-2
 Reissdehnung: min. 375% /DIN 53504 S-2

HARDNESS: 50+/-5 SHORE A /DIN 53505 MEASURED AT PROOF PLANES
 Haerte: 50+/-5 Shore A /DIN 53505 gemessen an Pruefplatten

SEALING RIBS WITHOUT SINK MARKS AND NOTCHES
 Dichtrippen ohne Einfallstellen und Kerben

5 INJECTION POINT PERMITTED
 Anspritzung zulaessig

(A1) **1** OBSOLETE, SUPERSEDED BY 1-1437713-1

(A1) **2** OBSOLETE, SUPERSEDED BY 1-1437713-2

GROMMET, BLUE, 1.5mm²
 USED FOR INSULATION DIAMETER 2.2 - 2.4mm

T&B UNIVERSAL PART No	106101
TYCO PART No	1-1437713-3
T&B FORD PART No	-
FORD PART No	89FG-10C930-BA
TYCO PART No	3 1-1437708-7

BLIND PLUG, WHITE

T&B UNIVERSAL PART No	106102
TYCO PART No	1-1437713-4
T&B FORD PART No	-
FORD PART No	89FG-10C930-AAA
TYCO PART No	4 1-1437708-8

(A1) **3** OBSOLETE, SUPERSEDED BY 1-1437713-3

(A1) **4** OBSOLETE, SUPERSEDED BY 1-1437713-4

TYCO PART NO/ TYCO Teile Nr	WEIGHT/ Gewicht	COLOUR/ Farbe	DESCRIPTION/ Beschreibung	POS/ Pos
1-1437713-1	0.0815g	BLACK/schwarz	GROMMET/ Dichtung 0.22-0.35mm ²	1
1-1437713-2	0.0894g	RED/rot	GROMMET/ Dichtung 0.50-1.00mm ²	2
1-1437713-3	0.0854g	BLUE/blau	GROMMET/ Dichtung 1.5mm ²	3
1-1437713-4	0.1044g	WHITE/weiss	BLIND PLUG/ Blindstopfen	4

(A1)

THIS DRAWING IS A CONTROLLED DOCUMENT FOR TYCO ELECTRONICS CORPORATION IT IS SUBJECT TO CHANGE AND THE CONTROLLING ENGINEERING ORGANIZATION SHOULD BE CONTACTED FOR THE LATEST REVISION.		DWN S.Storch 10SEP2001 CHK J.Evans 20SEP2001 APVD J.Evans 20SEP2001	tyco Electronics tyco Electronics AMP GmbH D - 64625 Bensheim
DIMENSIONS: mm 		NAME: GROMMET Einzeldrahtdichtung SIZE: A2 CAGE CODE: 00779 DRAWING NO: 1418068 RESTRICTED TO: - SCALE: 5:1 SHEET 1 OF 1 REV: A1	
TOLERANCES UNLESS OTHERWISE SPECIFIED: 0 PLC ± 1 PLC ±0.1 2 PLC ±0.1 3 PLC ± 4 PLC ± ANGLES ±° MATERIAL: - FINISH: -		PRODUCT SPEC: - APPLICATION SPEC: - WEIGHT: - CUSTOMER DRAWING	

Mouser Electronics

Authorized Distributor

Click to View Pricing, Inventory, Delivery & Lifecycle Information:

[TE Connectivity:](#)

[1-1437713-2](#)