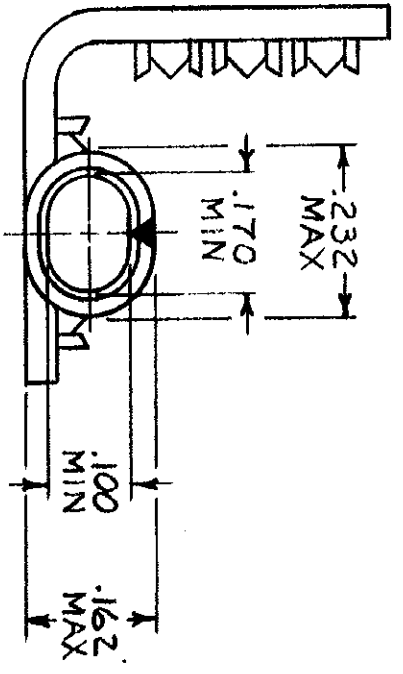
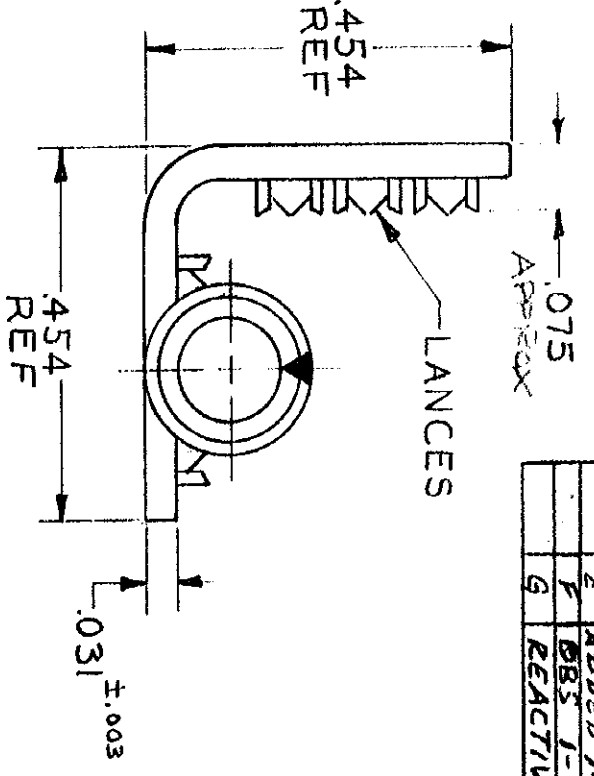
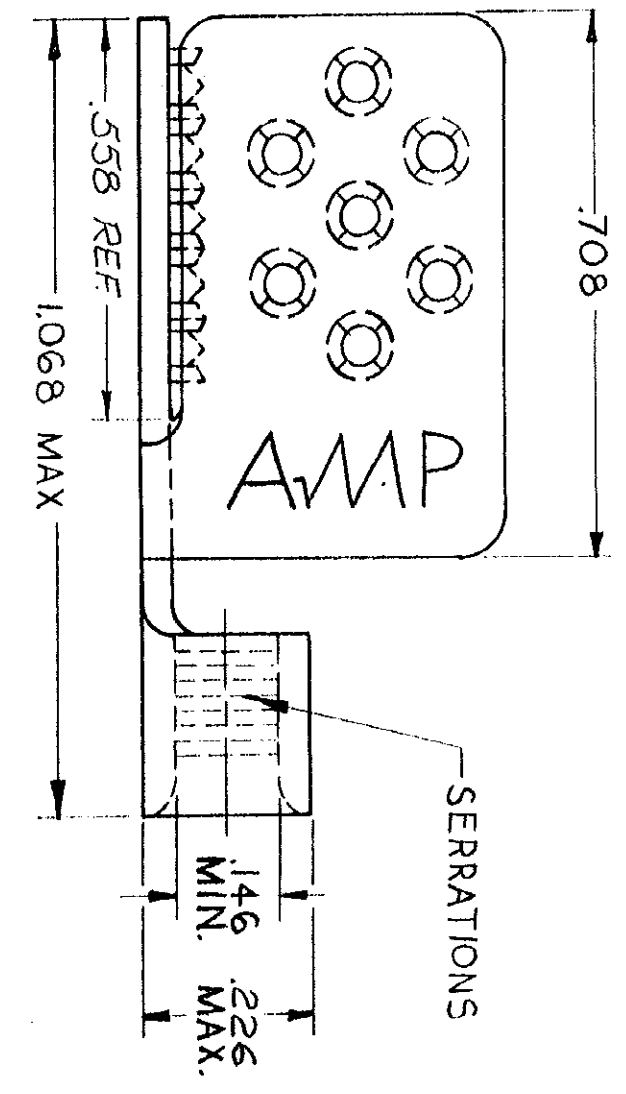


©1963 BY AMP INCORPORATED. ALL RIGHTS RESERVED. AMP PRODUCTS COVERED BY PATENTS AND/OR PATENTS PENDING.



FORMED VIEW (BARREL)  
STYLE II

FORMED VIEW (BARREL)  
STYLE I

| ZONE | LTR        | REVISIONS                  | DESCRIPTION | DATE     | APPROVED       |
|------|------------|----------------------------|-------------|----------|----------------|
| O    | NPS        | G2-145G                    |             | 3/27/67  | RHM            |
| A    | ADDED REF  | 70.454 DIM ECN E-334       |             | 7/9/67   | RHM            |
| B    | REV PER    | D.S. 2.1.2                 |             | 9-1-71   | FCY            |
| C    | ADDED      | 1-330716-2 NPS 74-1806     |             | 12-16-74 | R.M. [unclear] |
| D    | ADDED      | .558 REF DIM. - ECN PC7536 |             | 7/28/75  | JM/102         |
| E    | ADDED      | 1--3 P84-0031              |             | 5-7-74   | QUANIER        |
| F    | BBS        | 1--3 G-2841                |             | 8/15/82  | 182/m          |
| G    | REACTIVATE | 1--3 G 4877                |             | 11-9-88  | DKS/ [unclear] |

|            |   |       |
|------------|---|-------|
| 1-330716-3 | N/ PL (QQ-N-290)<br>.0002 MIN EXT THK     | II    |
| 1-330716-2 | TIN PL (MIL-T-10727)                      | I     |
| 330716     | NICKEL PL (QQ-N-290)<br>.0002 MIN EXT THK |       |
| PART NO.   | FINISH                                    | STYLE |

AMP INFO  
LOC PRINT DIST  
G 86  
FINISH SEE TABLE

UNLESS OTHERWISE SPECIFIED DIM. ARE IN INCHES. TOLERANCES ON: DECIMALS ±.008 ANGLES ±.5°  
MATERIAL: COPPER (QQ-C-576)  
HEAT TREAT: ANNEALED

CONTRACT NO. 4  
3-27-67  
DR. Wm. Young  
CHK. S. [unclear] 7/27/67  
APPR. Barabara 3-31-67  
DESIGNER: [unclear] 12/16/74  
OTHER APPR. [unclear]

AMP INCORPORATED  
HARRISBURG, PENNSYLVANIA  
NAME: WIRE TERMINAL  
TERMI-FOIL SOLISTRAND  
WIRE SIZE: 12-10  
CODE IDENT NO. B100779  
NUMBER: 330716  
SCALE: 4-1  
WT. CALC ACTUAL  
SHEET 1 OF 1

# Mouser Electronics

Authorized Distributor

Click to View Pricing, Inventory, Delivery & Lifecycle Information:

[TE Connectivity:](#)

[1-330716-3](#)