



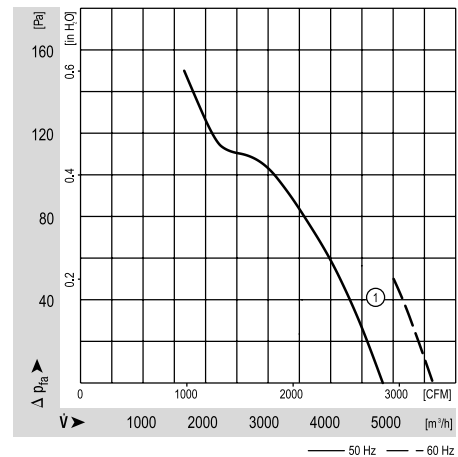
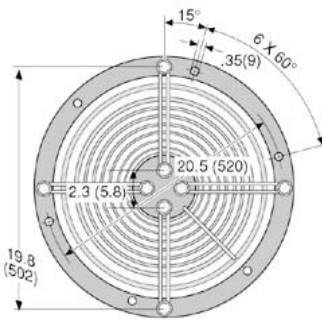
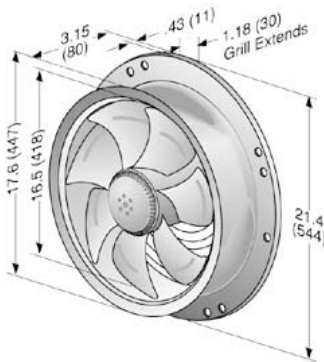
W4E420A Series

Axial

Ø 420mm S-Range

- ebm-papst offers a wide range of AC axial fans to optimally fit any application.
- All metal construction, shallow profile, round venturi plate. Reduced noise and highly efficient compared to other fans.
- Mounting plate with 9 mm holes. Ready to install.
- Discharge over struts: Dir. of rotation is CCW looking at rotor.
- Inlet over struts: Dir. of rotation is CW looking at rotor.
- Maintenance-free ball bearings.
- UL, CSA, VDE approvals on most models, please contact application engineering.

Part Number	Curve	CFM @ 0	VAC	Hertz	Power (W)	dBa	Max Amb. Temp C	Bearing Type	Features	Capacitor (µF)	Grill Position	Wgt. (lbs)
W4E420-CP03-70	1	3310	115	50/60	285	74	40	Ball	Leads	20	Dischg	10.6
W4E420-CP03-71	1	3310	115	50/60	285	74	40	Ball	Leads	20	Inlet	10.6
W4E420-CP02-70	1	3310	230	50/60	285	74	40	Ball	Leads	7	Dischg	10.6
W4E420-CP02-71	1	3310	230	50/60	285	74	40	Ball	Leads	7	Inlet	10.6



ebmpapst

e-mail: sales@us.ebmpapst.com · TEL: 860-674-1515 · FAX: 860-674-8536

ebm-papst Inc., 100 Hyde Road, Farmington, CT 06034 USA

ebm-papst Inc., 2006 © ebm-papst Inc. reserves the right to change any specifications or data without notice

Mouser Electronics

Authorized Distributor

Click to View Pricing, Inventory, Delivery & Lifecycle Information:

[ebm-papst:](#)

[W4E420-CP02-71](#) [W4E420-CP03-70](#) [W4E420-CP03-71](#)