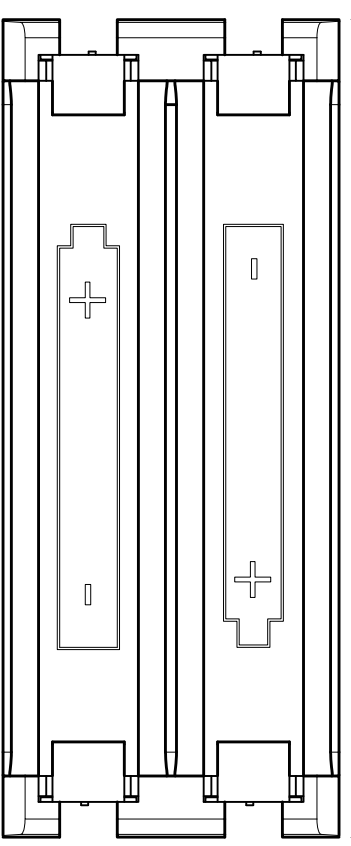
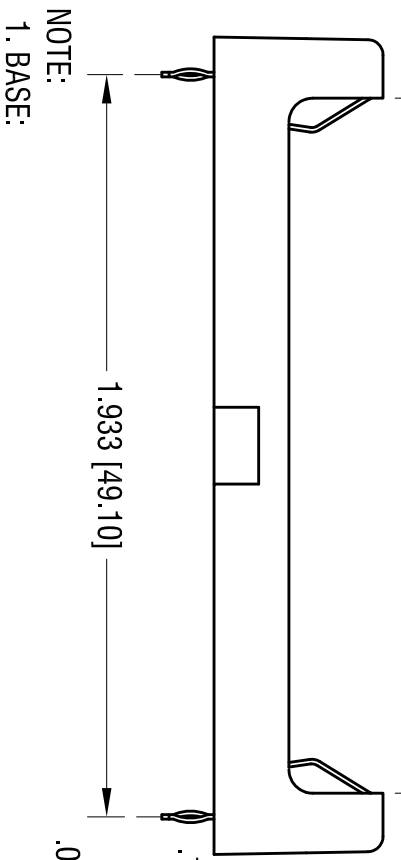


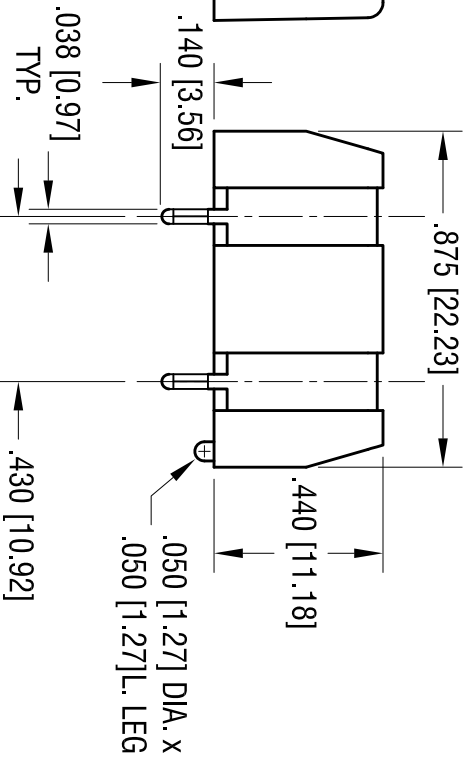
2.140 MAX.



1.810 [45.97]



1.933 [49.10]

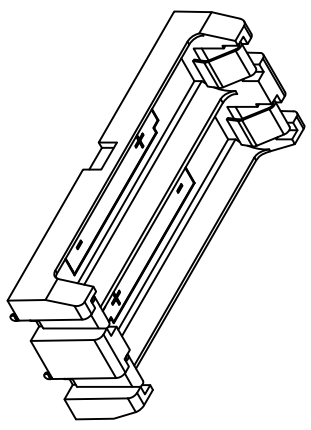


.875 [22.23]

.440 [11.18]

.050 [1.27] DIA. X
.050 [1.27] L. LEG

.430 [10.92]



ACTUAL SIZE

DATE	DESCRIPTION	REV.
10.03.13	CHANGE AS PER ECN 13-077	A

KEYSTONE ELECTRONICS CORP.
www.keyelco.com • ASTORIA, N.Y. 11105-2017 • Tel (718) 956-8900

PART NAME
THM DUAL BATTERY HOLDER, AAA

MATERIAL
AS NOTED

FINISH
AS NOTED

TOLERANCES	INCH	[MM]	CODE	DRN BY	DATE
DECIMAL	± .010	[± 0.25]	C	NT	12.08.09
ANGULAR	± 1°			LN	SCALE 2X

1023

THIS DOCUMENT IS THE PROPERTY OF
KEYSTONE ELECTRONICS CORP. AND
SHALL NOT BE REPRODUCED, DISTRIBUTED
OR USED AS A BASIS FOR MANUFACTURE
WITHOUT PRIOR WRITTEN PERMISSION
FROM KEYSTONE ELECTRONICS CORP.

- NOTE:
1. BASE:
MAT'L: HEAT RESISTANCE NYLON
STANLYL 46 OR EQUIVALENT
2. CONTACT:
MAT'L: .012 [0.30] THK STAINLESS STEEL
FINISH: TIN NICKEL PLATE.

Mouser Electronics

Authorized Distributor

Click to View Pricing, Inventory, Delivery & Lifecycle Information:

[Keystone Electronics:](#)

[1023](#)