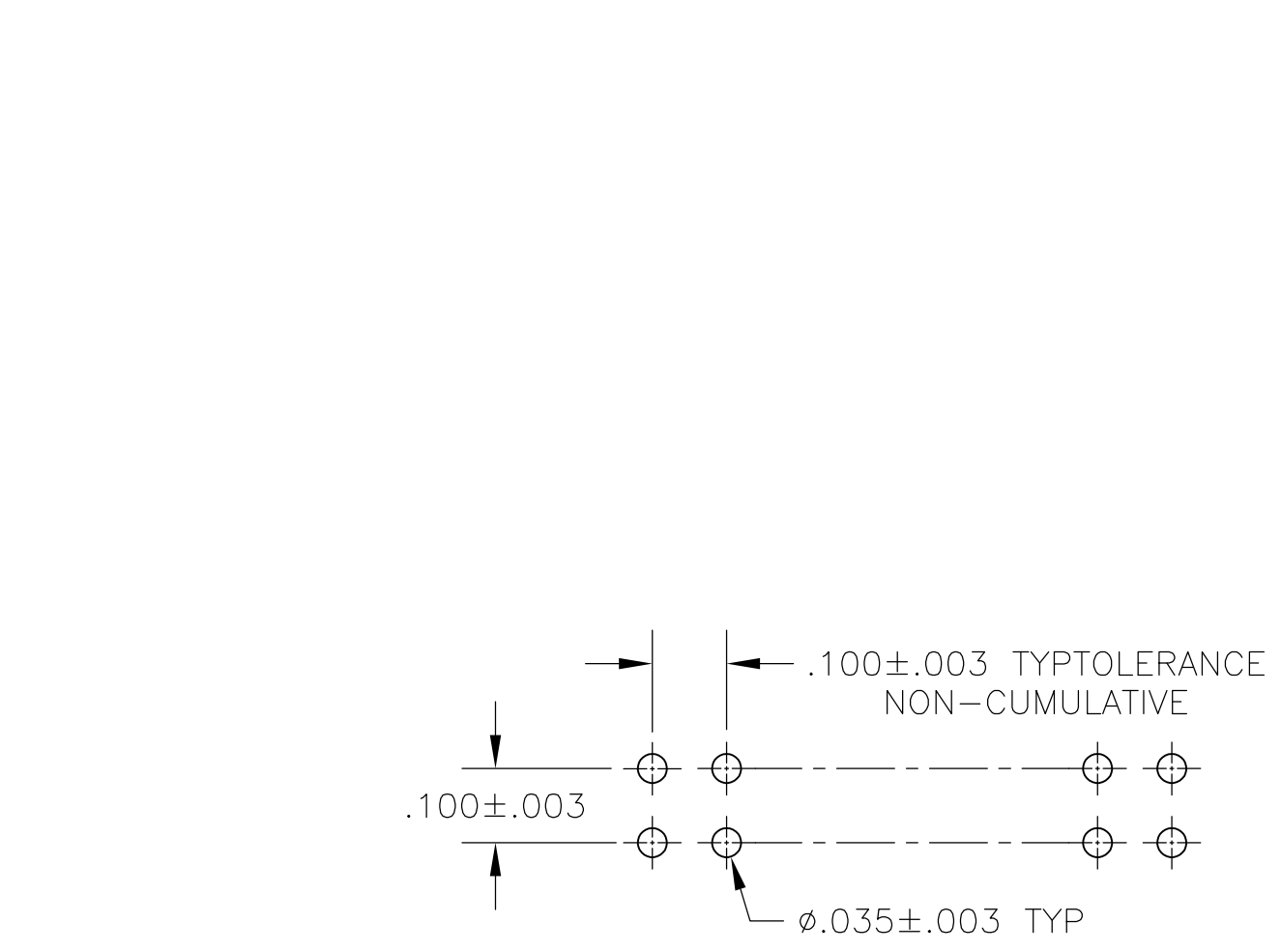
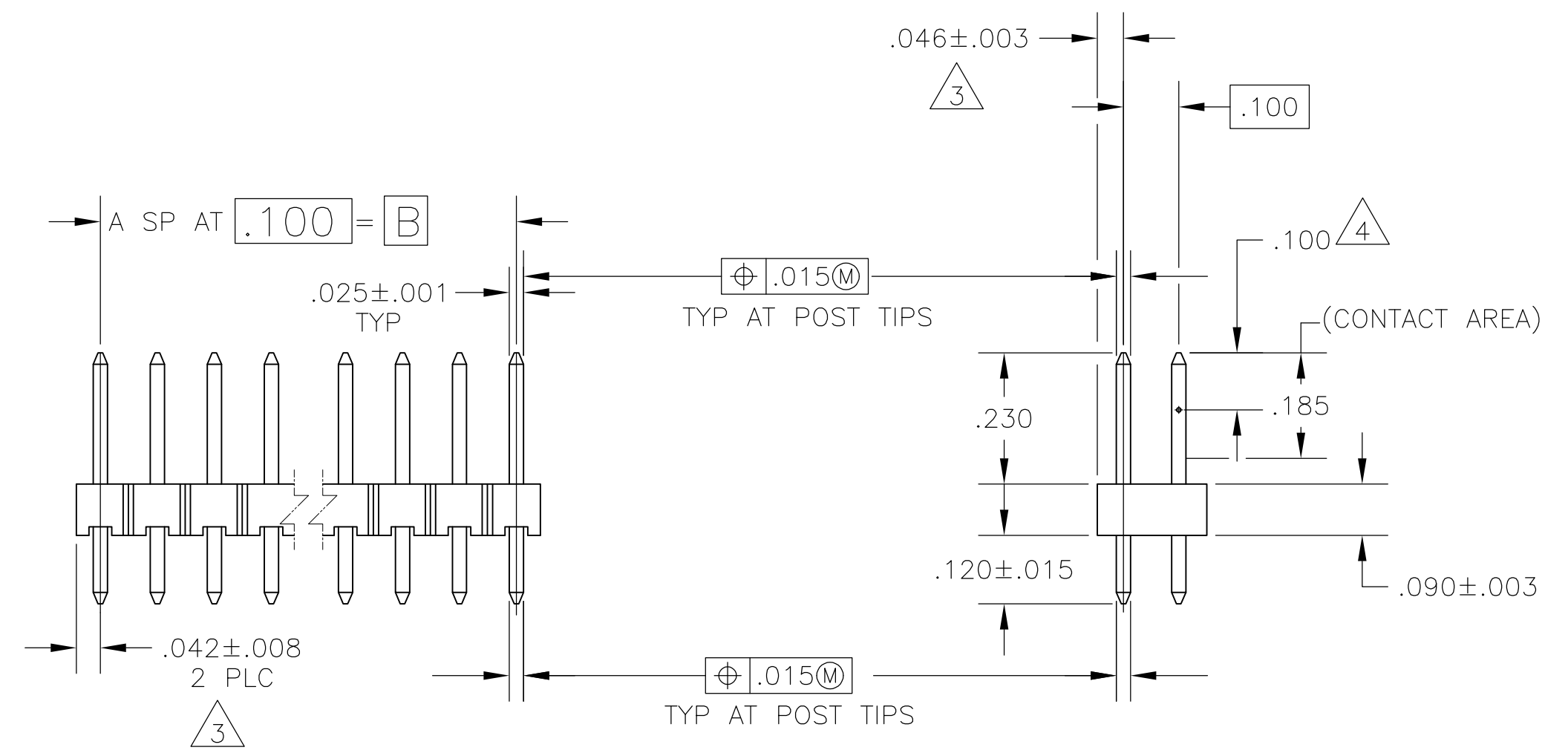
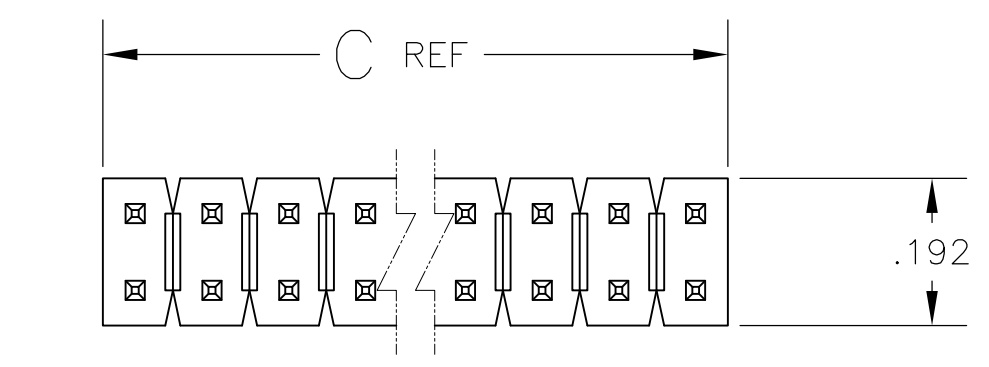


THIS DRAWING IS UNPUBLISHED. RELEASED FOR PUBLICATION
 © COPYRIGHT - By - ALL RIGHTS RESERVED.

REVISIONS					
P	LTR	DESCRIPTION	DATE	DWN	APVD
	J1	REVISED PER ECO-16-012733	07SEP2016	NK	MM

- 1 ASSEMBLY MAY BE BROKEN TO THE DESIRED NUMBER OF POSITIONS.
- 2 TRUE POSITION TOLERANCE OF THE POST TIPS APPLIES WHEN THE HEADER IS HELD FLAT AGAINST THE PRINTED CIRCUIT BOARD.
- 3 THE NOTED DIMENSIONS APPLY AT THE INTERSECTION OF THE POST AND HOUSING.
- 4 POINT OF MEASUREMENT FOR PLATING THICKNESS.
- 5 PART INDICATED IS PACKAGED IN "SINGLE TUBES".
- 6 OBSOLETE PARTS: OBSOLETE CIS STREAMLINING PER D.RENAUD/D.SINISI.



RECOMMENDED HOLE LAYOUT

6	5	1.284	1.200	12	26	4-103186-1
		3.984	3.900	39	80	4-103186-0
6		3.884	3.800	38	78	3-103186-9
6		3.784	3.700	37	76	3-103186-8
6		3.684	3.600	36	74	3-103186-7
		3.584	3.500	35	72	3-103186-6
		3.484	3.400	34	70	3-103186-5
6		3.384	3.300	33	68	3-103186-4
6		3.284	3.200	32	66	3-103186-3
		3.184	3.100	31	64	3-103186-2
6		3.084	3.000	30	62	3-103186-1
6	SUPERSEDED BY 8-146256-0	2.984	2.900	29	60	3-103186-0
6		2.884	2.800	28	58	2-103186-9
6		2.784	2.700	27	56	2-103186-8
6		2.684	2.600	26	54	2-103186-7
6		2.584	2.500	25	52	2-103186-6
6		2.484	2.400	24	50	2-103186-5
		2.384	2.300	23	48	2-103186-4
6		2.284	2.200	22	46	2-103186-3
6		2.184	2.100	21	44	2-103186-2
6		2.084	2.000	20	42	2-103186-1
		1.984	1.900	19	40	2-103186-0
6		1.884	1.800	18	38	1-103186-9
6		1.784	1.700	17	36	1-103186-8
		1.684	1.600	16	34	1-103186-7
		1.584	1.500	15	32	1-103186-6
		1.484	1.400	14	30	1-103186-5
6		1.384	1.300	13	28	1-103186-4
		1.284	1.200	12	26	1-103186-3
		1.184	1.100	11	24	1-103186-2
6		1.084	1.000	10	22	1-103186-1
		.984	.900	9	20	1-103186-0
		.884	.800	8	18	103186-9
		.784	.700	7	16	103186-8
		.684	.600	6	14	103186-7
		.584	.500	5	12	103186-6
		.484	.400	4	10	103186-5
		.384	.300	3	8	103186-4
		.284	.200	2	6	103186-3
		.184	.100	1	4	103186-2
		.084	---	---	2	103186-1
REMARKS		C	B	A	NO OF POSN	PART NUMBER

THIS DRAWING IS A CONTROLLED DOCUMENT.		DWN H MOLL 13OCT87	STE TE Connectivity	
DIMENSIONS: INCHES		CHK T. CLARK 20OCT87		
TOLERANCES UNLESS OTHERWISE SPECIFIED:		APVD T. CLARK 20OCT87	NAME	
0 PLC ± -		PRODUCT SPEC	HEADER ASSY, MOD II, BREAKAWAY, DOUBLE ROW, .100X.100 C, VERTICAL, WITH .025 SQ POSTS	
1 PLC ± -		APPLICATION SPEC	SIZE	CAGE CODE
2 PLC ± -			A2	00779
3 PLC ± .005			DRAWING NO	RESTRICTED TO
4 PLC ± -			C=103186	
ANGLES ± -		WEIGHT		
MATERIAL HOUSING: FLAME RETARDANT THERMOPLASTIC; COLOR-BLACK POST: COPPER ALLOY		FINISH POST: .00015 GOLD ON CONTACT .00100-.00200 MATTE TIN-LEAD ON SOLDER TAIL ALL OVER .00050 NICKEL	SCALE	SHEET
		CUSTOMER DRAWING	4:1	1 of 1
			REV	J1

Mouser Electronics

Authorized Distributor

Click to View Pricing, Inventory, Delivery & Lifecycle Information:

[TE Connectivity:](#)

[103186-4](#)