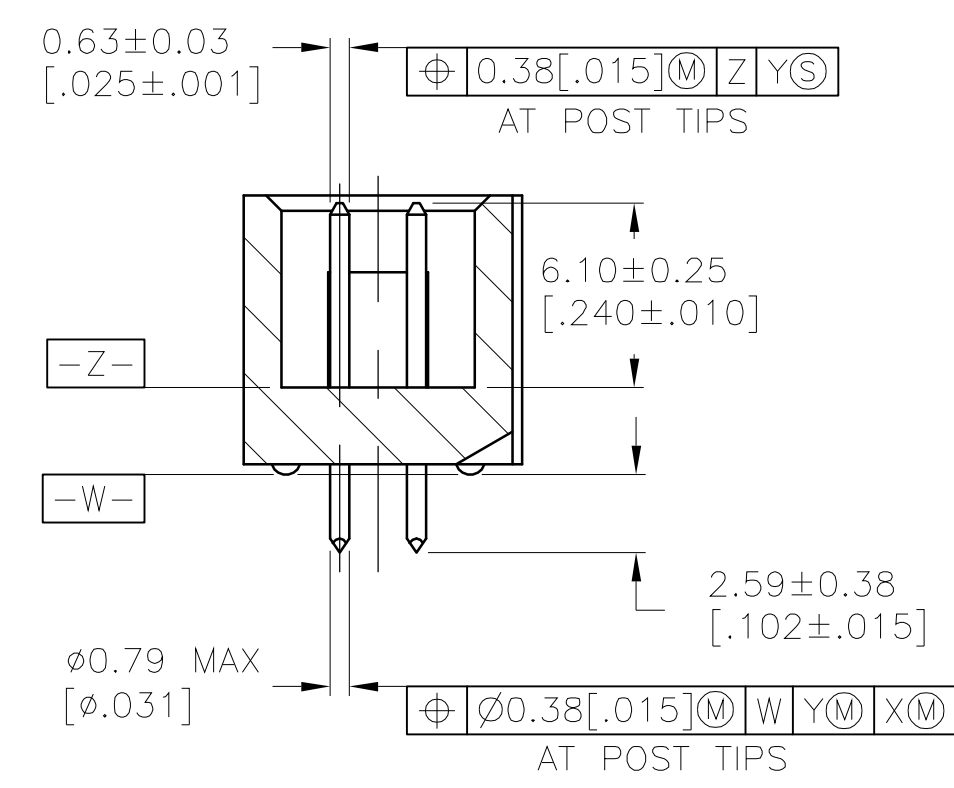
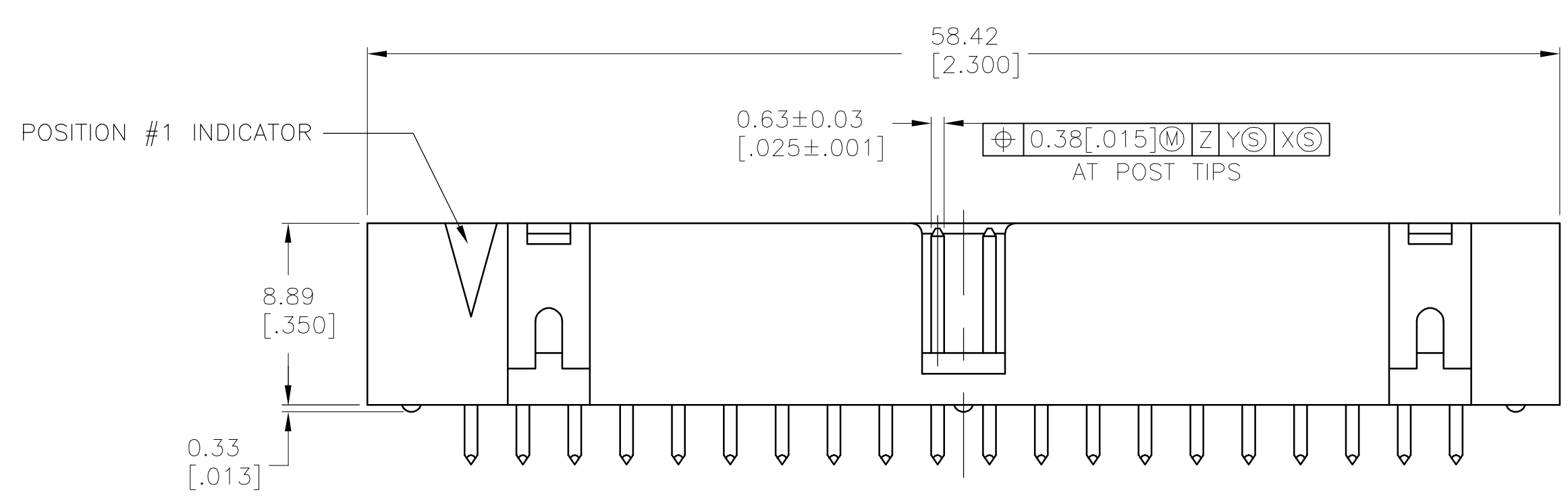
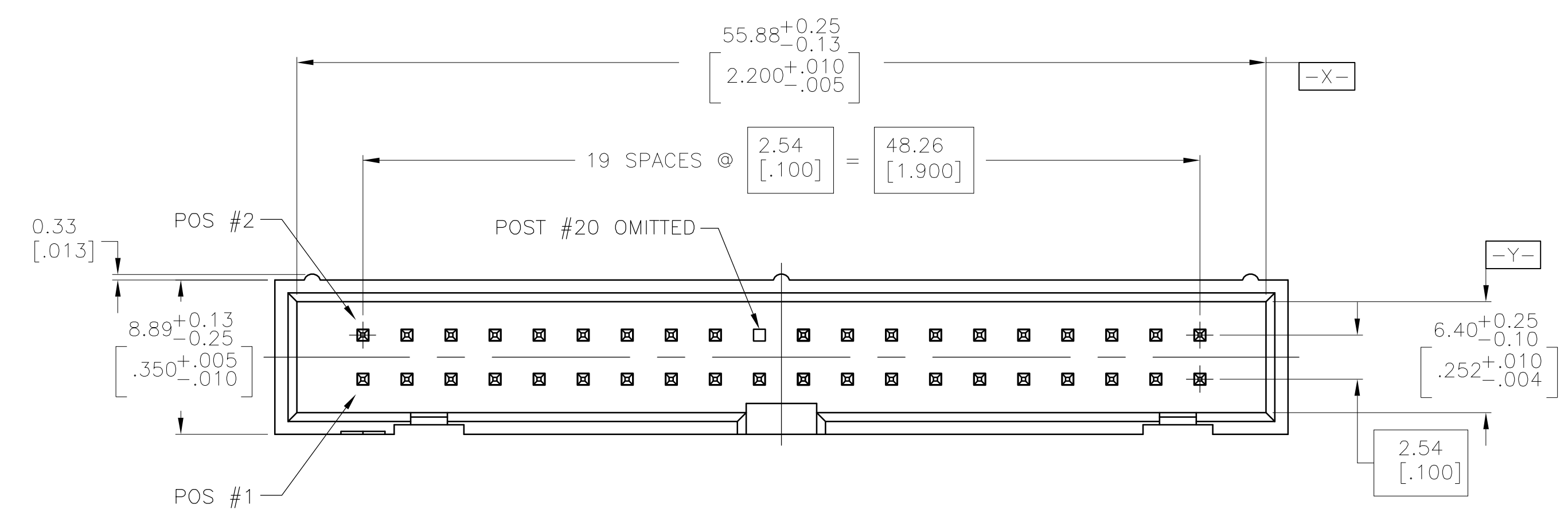
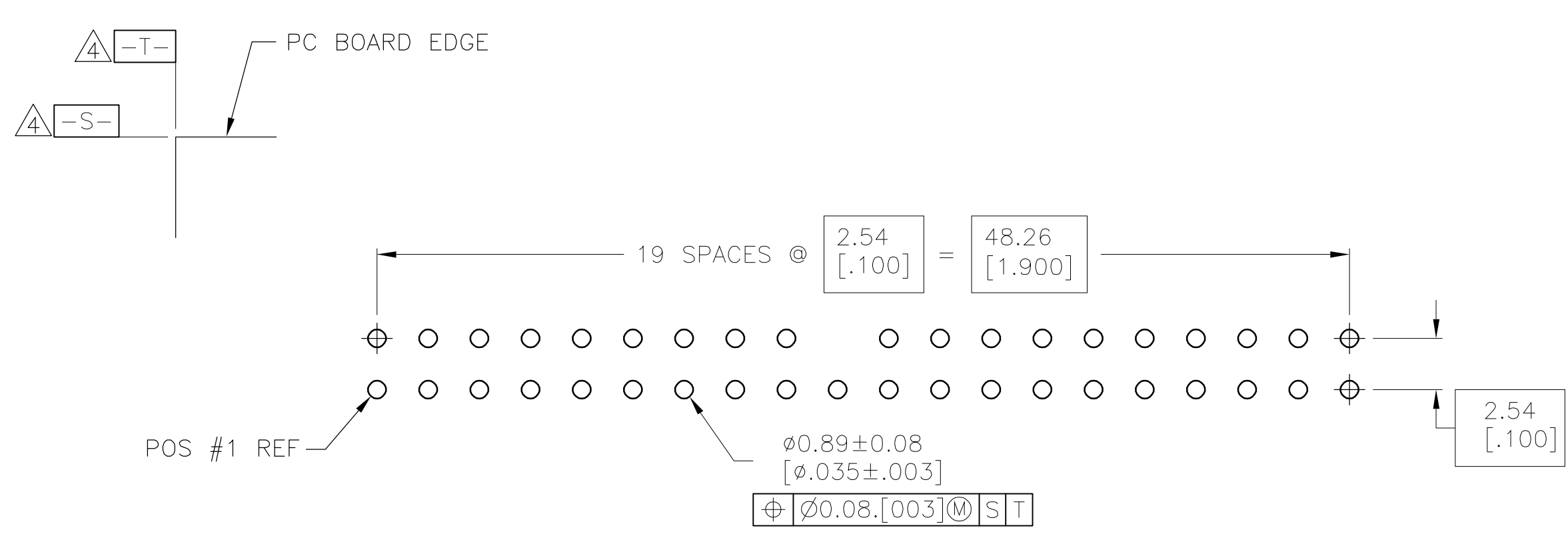


LOC		DIST		REVISIONS			
GP	00	REV	DATE	BY	APP'D		
C		REVISED PER ECO-06-020539	12SEP06	JDP	SLB		



- △ HOUSING: PBT, UL94V-0, COLOR BLACK.
- POSTS: PHOSPHOR BRONZE.
- △ GOLD FLASH ON MATING AREA, 0.00254[.000100] MIN TIN ON SOLDER END, ALL OVER 0.00127[.000050] MIN NICKEL ON ENTIRE POST.
- △ 0.00038[.000015] MIN GOLD ON MATING AREA, 0.00254[.000100] MIN TIN ON SOLDER END, ALL OVER 0.00127[.000050] MIN NICKEL ON ENTIRE POST.
- △ DATUMS S & T TO BE ESTABLISHED BY CUSTOMER.



RECOMMENDED PC BOARD LAYOUT
 (VIEWED FROM CONNECTOR SIDE)

OBSELETE	△	1761633-2
	△	1761633-1
	△	POST FINISH
	△	PART NUMBER

THIS DRAWING IS A CONTROLLED DOCUMENT.		DIN J.GERACE 26APROS	Tyco Electronics Corporation	
DIMENSIONS: mm [INCHES]		CHK S.BOLASH 26APROS	Harrisburg, PA 17105-3608	
TOLERANCES UNLESS OTHERWISE SPECIFIED:		APP'D M.WALMSLEY 26APROS	NAME	
0 PL	± -	PRODUCT SPEC		
1 PL	± -	APPLICATION SPEC		
2 PL	± -	SIZE		
3 PL	± 0.13[.005]	CAGE CODE		
4 PL	± -	DRAWING NO		
ANGLES	± -	RESTRICTED TO		
MATERIAL	FINISH	WEIGHT	A1 00779	1761633
	POSTS: SEE TABLE		CUSTOMER DRAWING	
		SCALE	4:1	SHEET 1 OF 1

Mouser Electronics

Authorized Distributor

Click to View Pricing, Inventory, Delivery & Lifecycle Information:

[TE Connectivity:](#)

[1761633-2](#)