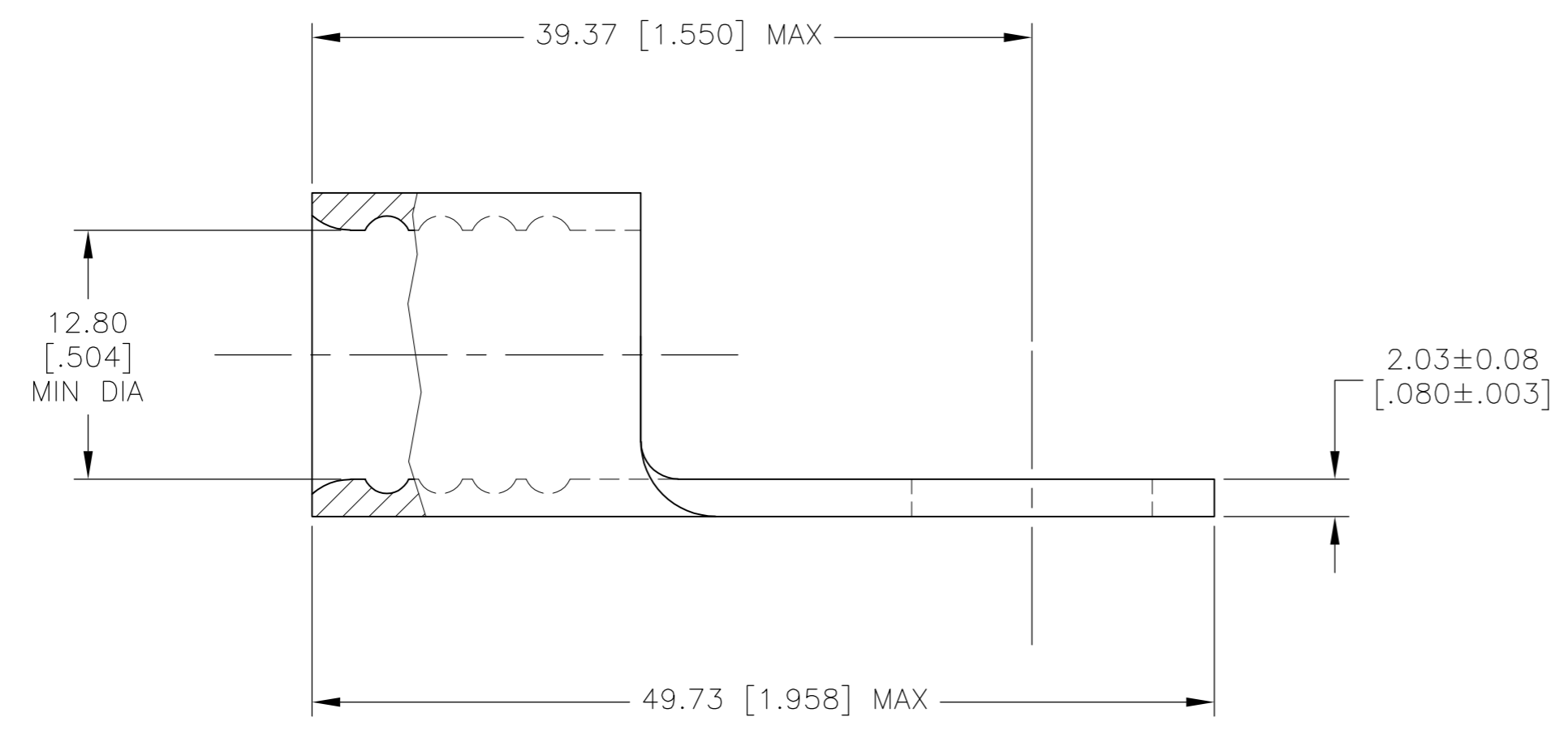
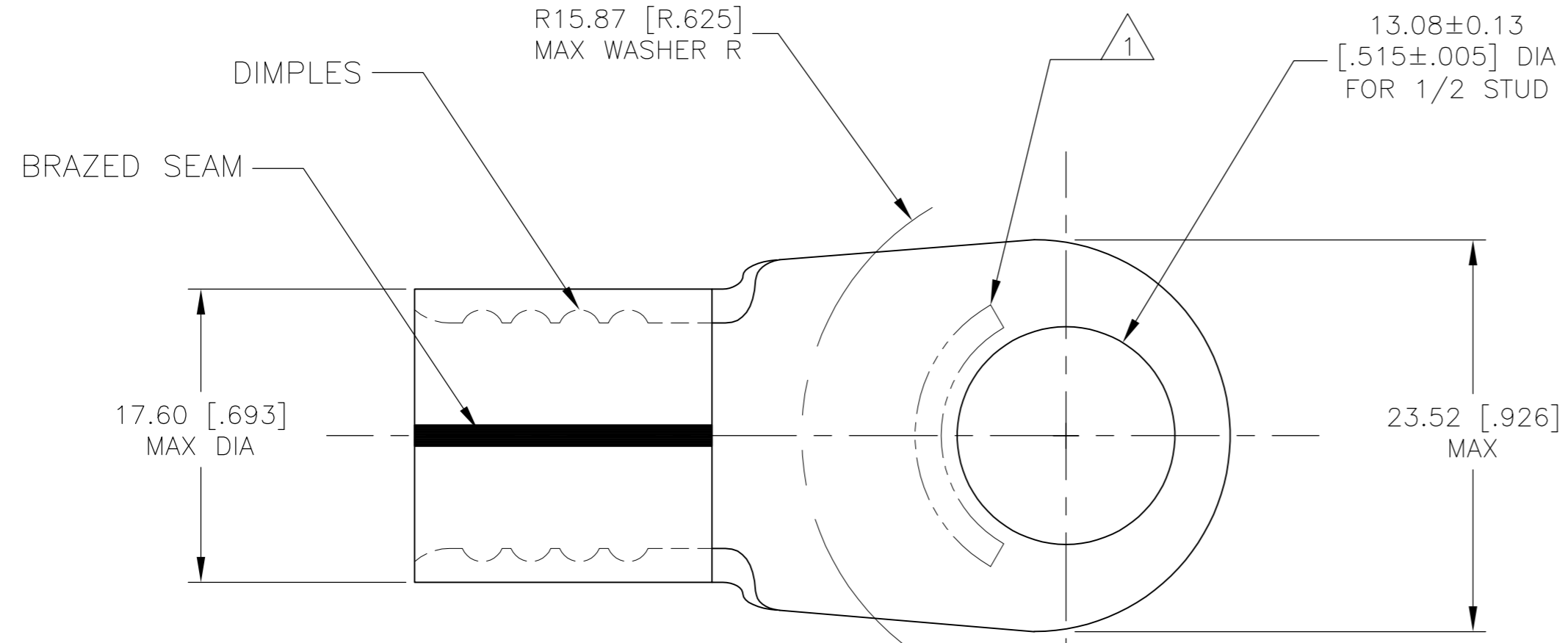


THIS DRAWING IS UNPUBLISHED. RELEASED FOR PUBLICATION  
 © COPYRIGHT - By - ALL RIGHTS RESERVED.

LOC		DIST		REVISIONS			
P	LTR	DESCRIPTION		DATE	DWN	APVD	
G	14	H1	REVISED PER ECO-15-001396		30JAN2015	NK	DR



<b>AMP</b> WIRE RANGE	Listed FILE E13288	LR7189 Certified
2/0 AWG SOLID OR STRANDED	2/0 AWG STRANDED	2/0 AWG SOLID OR STRANDED

- 1 STAMP AMP 2/0W\* APPROX AS SHOWN.
- 2 TIN PLATE 0.00254 [.000100] MIN THK PER ASTM B-545.
- 3 BRIGHT TIN LEAD PLATE 0.00254 [.000100] MIN EXT THK PER B-545.
- 4 COPPER PER ASTM B-152, ANNEALED.
- 5 MEETS MS20659-136, CLASS 2.
- 6 NICKEL PLATE 0.00762 [.00030] MIN EXT. THK. PER SAE AMS QQ-N-290.
- 7 NOT UL OR CSA APPROVED FOR STRANDED WIRE ONLY.

MAX RECOMMENDED OPERATING TEMP.	QTY	PACKAGE TYPE	FINISH	PART NO.
170°C [338°F]	50	LOOSE PIECE	3	2-321873-2
343°C [650°F]	50	LOOSE PIECE	6	321873-2
170°C [338°F]	50	LOOSE PIECE	2	321873

MAX RECOMMENDED OPERATING TEMPERATURE: SEE TABLE	THIS DRAWING IS A CONTROLLED DOCUMENT.		DWN DK SCHRUM 1/14/94	TE Connectivity
	VOLTAGE RATING: N/A	DIMENSIONS: MM [INCHES]	CHK AJ KAUFMAN 1/19/94	
CIRCULAR MIL AREA: 60.6-76.3mm <sup>2</sup> [119,500-150,500] SOLID OR STRANDED	TOLERANCES UNLESS OTHERWISE SPECIFIED: 0 PLC ± - 1 PLC ± - 2 PLC ± 0.20 [.008] 3 PLC ± - 4 PLC ± - ANGLES ± -	APVD JL MECKLEY 1/19/94	PRODUCT SPEC APPLICATION SPEC	TERMINAL, RING TONGUE, SOLISTRAND
MATERIAL 4	FINISH SEE TABLE	WEIGHT -	SIZE A2	CAGE CODE 00779
		CUSTOMER DRAWING	DRAWING NO C-321873	RESTRICTED TO -
		SCALE 2:1	SHEET 1 of 1	REV H1

# Mouser Electronics

Authorized Distributor

Click to View Pricing, Inventory, Delivery & Lifecycle Information:

[TE Connectivity:](#)

[321873](#)