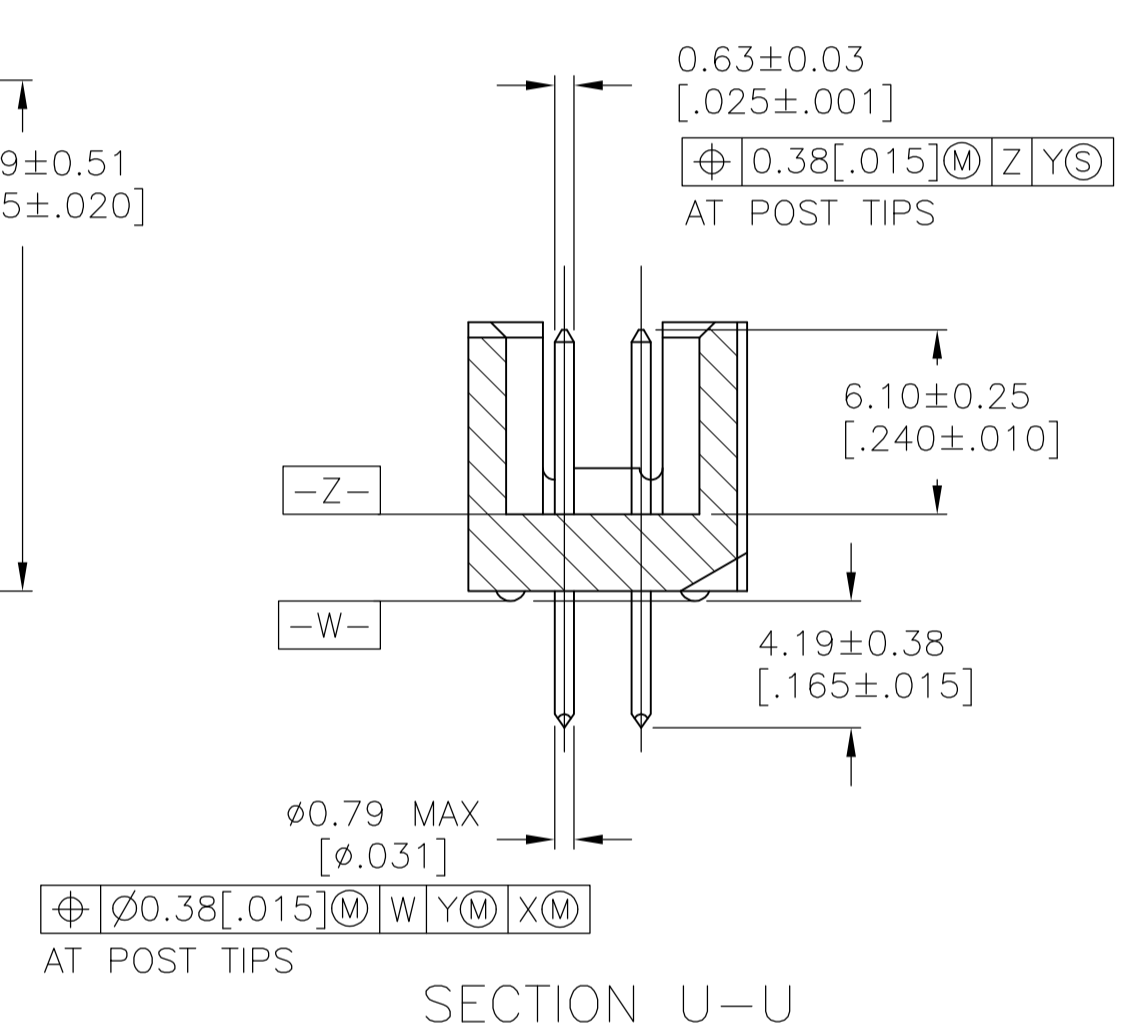
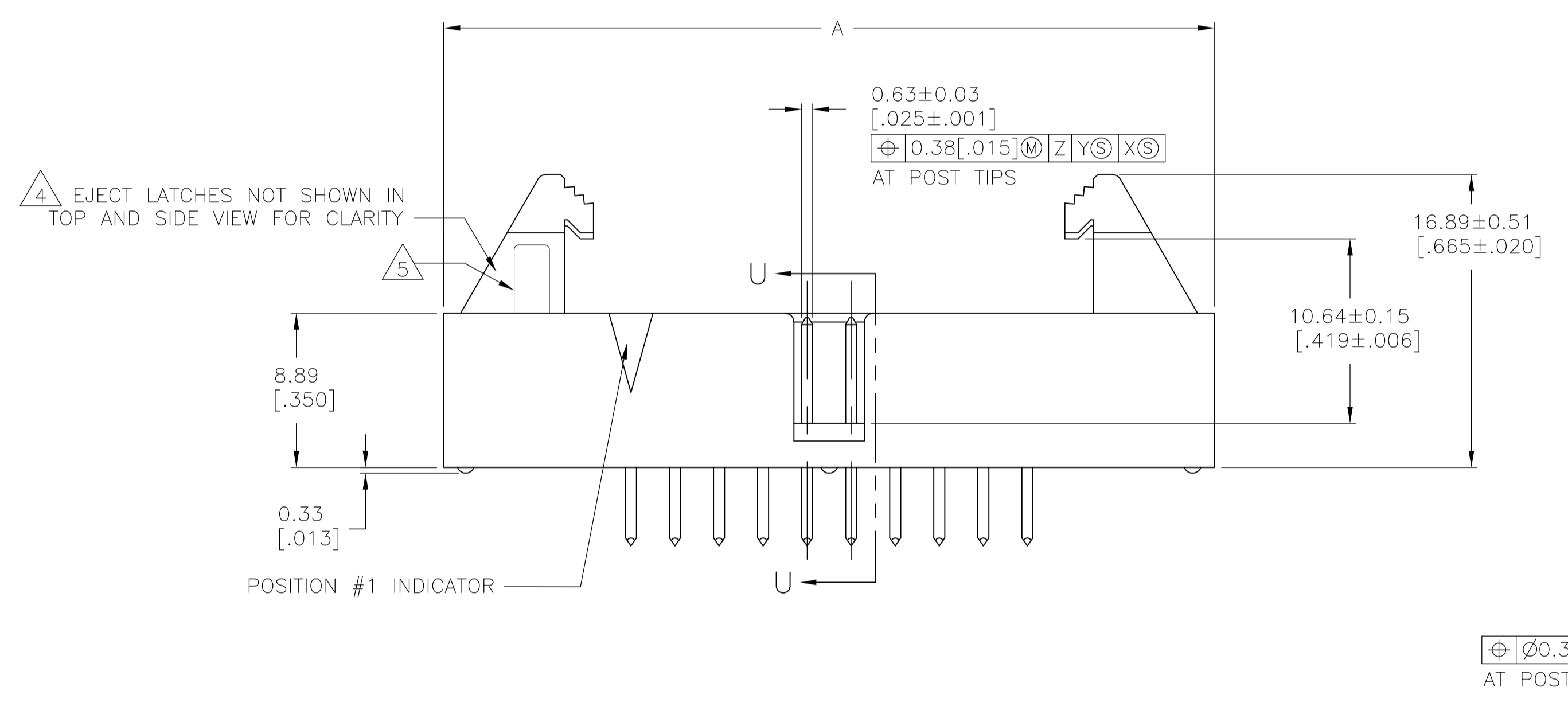
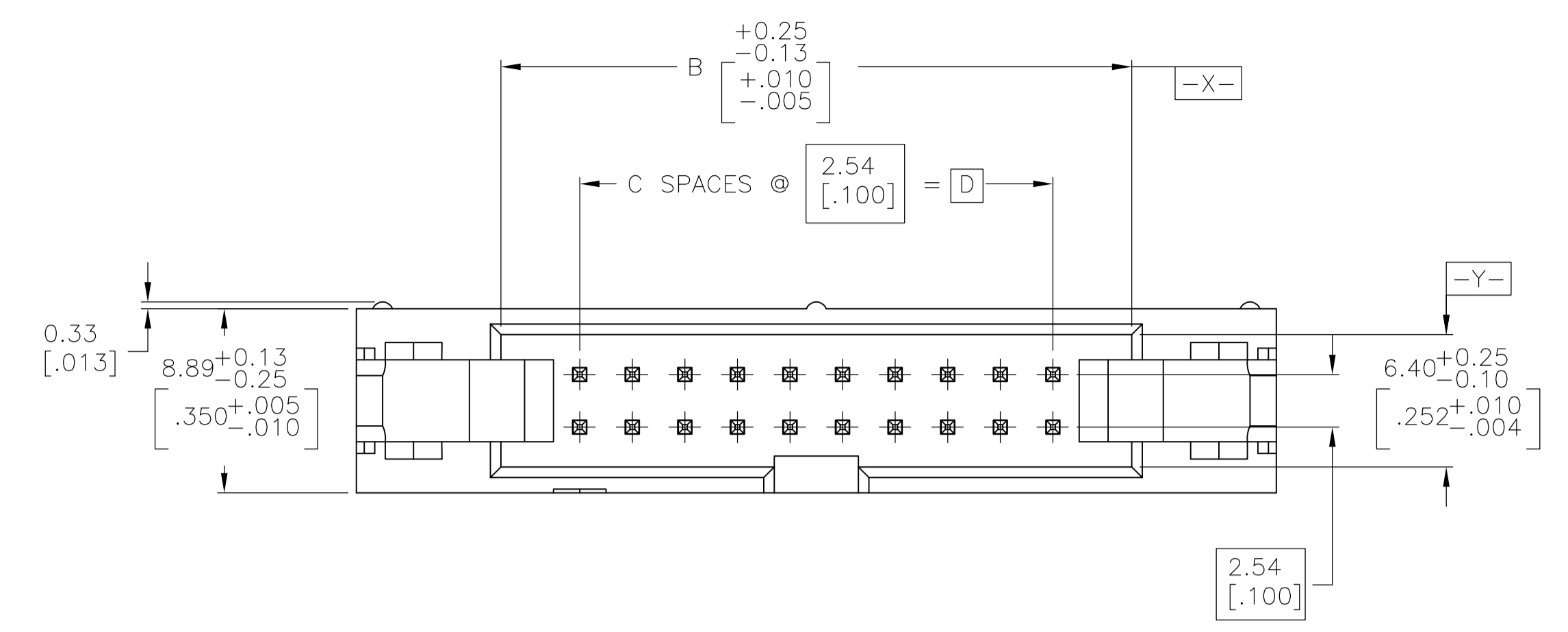
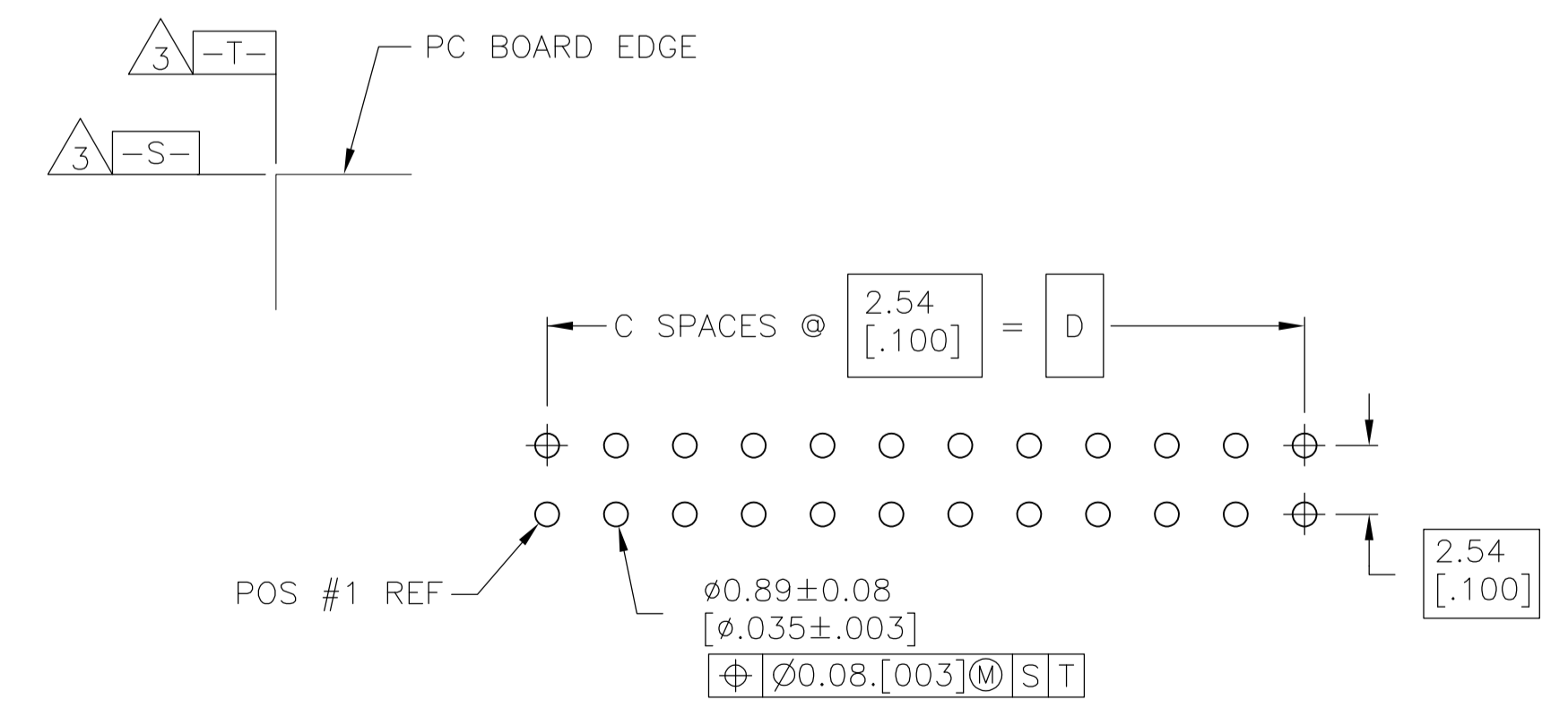


LOC		DIST		REVISIONS				
P	LTR	DESCRIPTION	DATE	DMN	APVD			
C		REVISED PER ECO-10-011568	04JUN10	HMR	SB			



- 1 HOUSING & EJECT LATCHES: PBT, UL94V-0, COLOR BLUE. POSTS: PHOSPHOR BRONZE.
- 2 POSTS: 0.00076[.000030] MIN GOLD ON MATING AREA, 0.00254[.000100] MIN TIN ON SOLDER END, ALL OVER 0.00127[.000050] MIN NICKEL ON ENTIRE POST.
- 3 DATUMS S & T TO BE ESTABLISHED BY CUSTOMER.
- 4 SHORT EJECT LATCHES FOR MATING IDC/AMP-LATCH STYLE RECEPTACLES WITHOUT A STRAIN RELIEF
- 5 MANUFACTURER'S LOGO TO BE LOCATED IN APPROXIMATE AREA SHOWN.



RECOMMENDED PC BOARD LAYOUT
(VIEWED FROM CONNECTOR SIDE)

	68.58 [2.700]	27	76.20 [3.000]	90.17 [3.550]	56	1-1761687-8
OBSOLETE	60.96 [2.400]	24	68.58 [2.700]	82.55 [3.250]	50	1-1761687-5
	48.26 [1.900]	19	55.88 [2.200]	69.85 [2.750]	40	1-1761687-3
	40.64 [1.600]	16	48.26 [1.900]	62.23 [2.450]	34	1-1761687-1
	30.48 [1.200]	12	38.10 [1.500]	52.07 [2.050]	26	1761687-9
	22.86 [0.900]	9	30.48 [1.200]	44.45 [1.750]	20	1761687-7
	10.16 [0.400]	4	17.78 [0.700]	31.75 [1.250]	10	1761687-3
	D	C	B	A	NO OF POS	PART NUMBER

**COPYRIGHT 2005
 TYCO ELECTRONICS CORP
 ALL RIGHTS RESERVED**

THIS DRAWING IS A CONTROLLED DOCUMENT.		DIN B. CRISAMORE/D1 05JUN05		Tyco Electronics Corporation Harrisburg, PA 17105-3608	
DIMENSIONS: mm [INCHES]		TOLERANCES UNLESS OTHERWISE SPECIFIED:		NAME: M. WALMSLEY 05JUN05	
0. PLC ± -		1. PLC ± -		PRODUCT SPEC: -	
1. PLC ± -		2. PLC ± -		APPLICATION SPEC: -	
2. PLC ± -		3. PLC ± 0.13[.005]		SIZE: A1	
3. PLC ± -		4. PLC ± -		CAGE CODE: 00779	
4. PLC ± -		ANGLES ± -		DRAWING NO: 1761687	
MATERIAL: 1		FINISH: 2		WEIGHT: -	
				CUSTOMER DRAWING	
				SCALE: 4:1	
				SHEET: 1 of 1	
				REV: C	

Mouser Electronics

Authorized Distributor

Click to View Pricing, Inventory, Delivery & Lifecycle Information:

[TE Connectivity:](#)

[1761687-3](#)