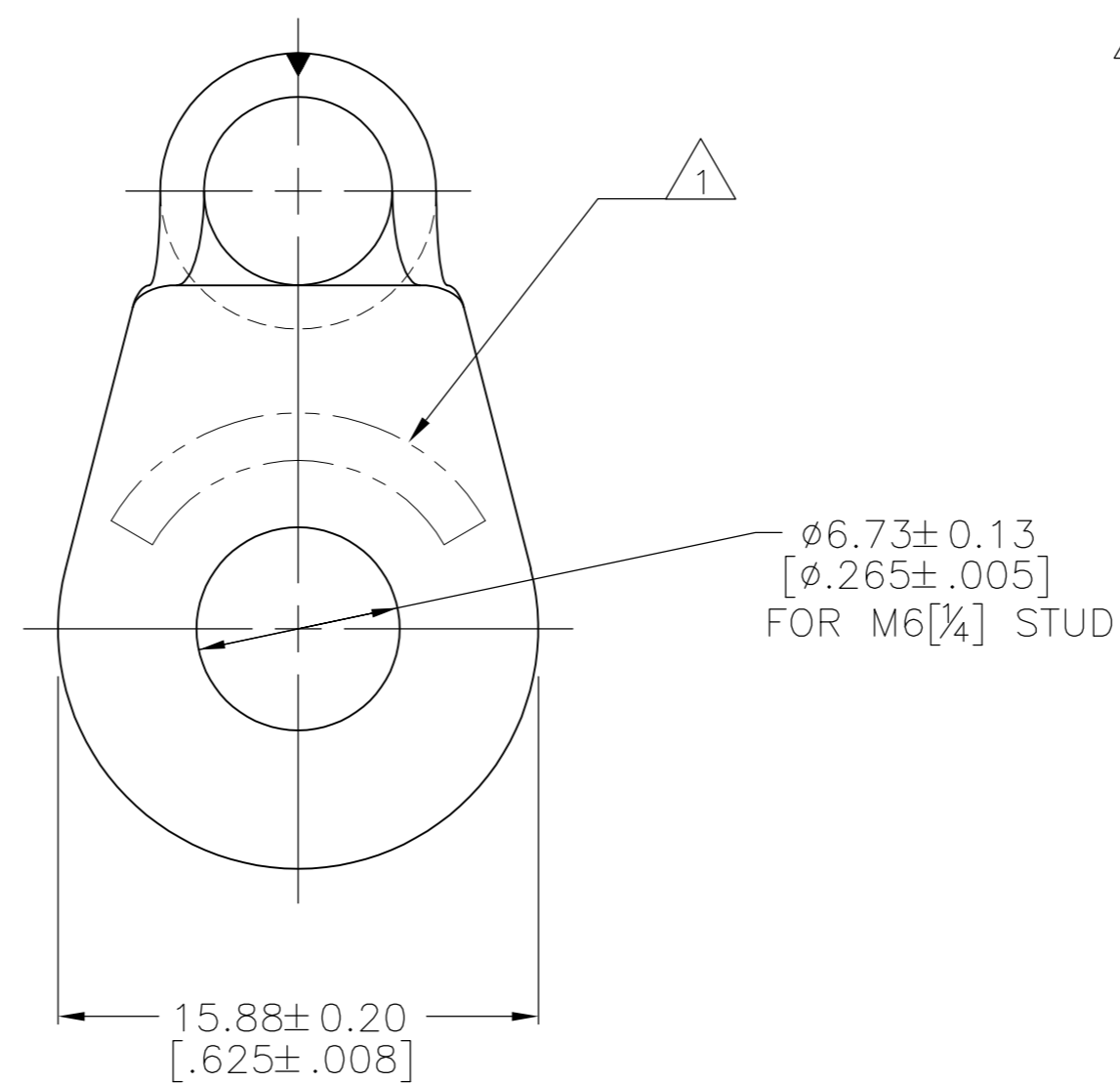
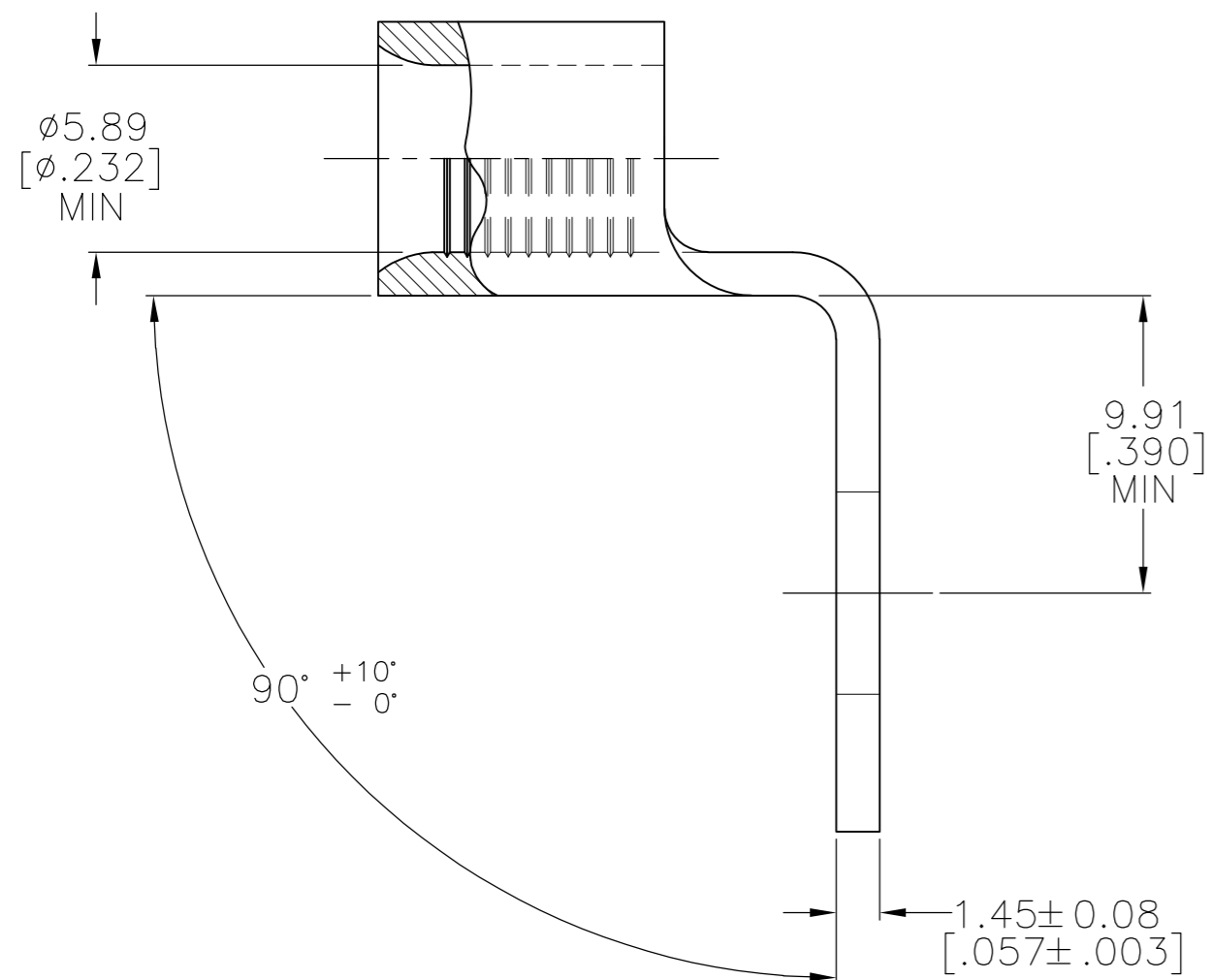
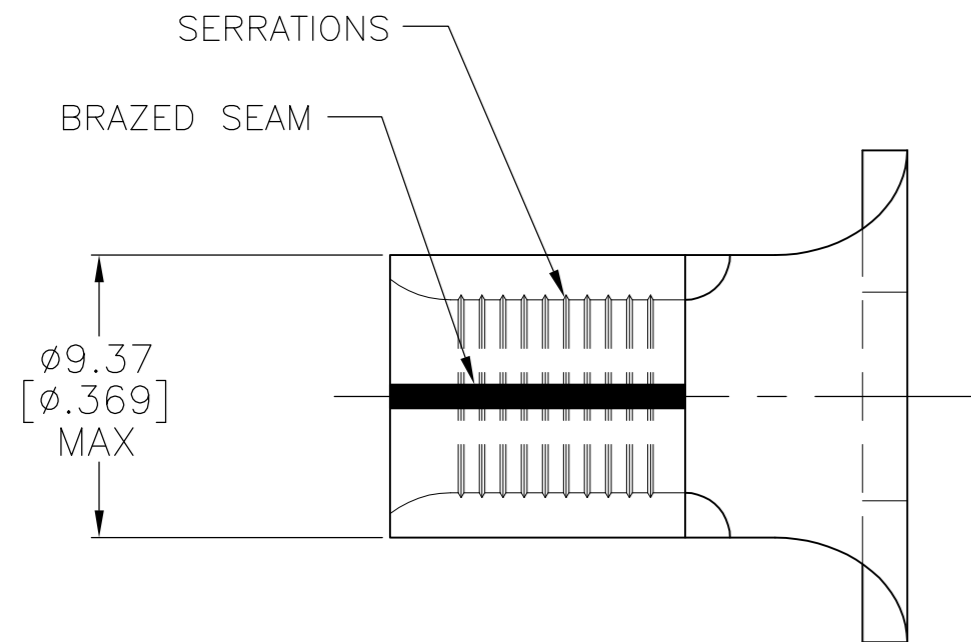


THIS DRAWING IS UNPUBLISHED. RELEASED FOR PUBLICATION  
 © COPYRIGHT - By - ALL RIGHTS RESERVED.

REVISIONS				
P	LTR	DESCRIPTION	DATE	APVD
C1		REVISED PER ECO-16-004987	18JUN2016	NK DR



1 STAMP AMP 6\* APPROX AS SHOWN.

<b>AMP</b> WIRE RANGE	E13288 LISTED
6 AWG SOLID OR STRANDED	6 AWG STRANDED
LR7189 Certified	MILITARY P/N AND CLASS
6 AWG SOLID OR STRANDED	NOT APPLICABLE

AMP INCORPORATED  
 CUSTOMER SERVICE SYSTEMS

FOR ADDITIONAL PRODUCT INFORMATION OR COPIES OF DRAWINGS AND TECHNICAL DOCUMENTS	PRODUCT INFORMATION CENTER 1-800-522-6752	MAX RECOMMENDED OPERATING TEMPERATURE: 170°C[338°F] MAX
FOR APPLICATION TOOLING INFORMATION	TOOLING ASSISTANCE CENTER 1-800-722-1111	VOLTAGE RATING: NOT APPLICABLE
FOR ORDER ENTRY	1-800-526-5142	WIRE CROSS SECTIONAL AREA RANGE: 10.5-16.8mm <sup>2</sup> [20,800-33,100] CIR MILS SOLID OR STRANDED

THIS DRAWING IS A CONTROLLED DOCUMENT.		DWN DK SCHRUM 01JUN94	TE Connectivity	
DIMENSIONS: mm [INCHES]		CHK DA PATTERSON 05AUG94		
TOLERANCES UNLESS OTHERWISE SPECIFIED:		APVD CH KULYNYCH 05AUG94	NAME TERMINAL, RING TONGUE, BENT 90 DEGREES, SOLISTRAND™	
0 PLC ± - 1 PLC ± - 2 PLC ± 0.20[.008] 3 PLC ± - 4 PLC ± - ANGLES ± -		PRODUCT SPEC -	SIZE A2	
MATERIAL COPPER PER ASTM B-152 ANNEALED		FINISH TIN PLATE 0.00254[.000100] MIN THK PER ASTM B545	CAGE CODE 00779	DRAWING NO C=35678
CUSTOMER DRAWING		WEIGHT -	RESTRICTED TO -	SCALE 4:1
		SHEET 1 OF 1		REV C1

# Mouser Electronics

Authorized Distributor

Click to View Pricing, Inventory, Delivery & Lifecycle Information:

[TE Connectivity:](#)

[35678](#)