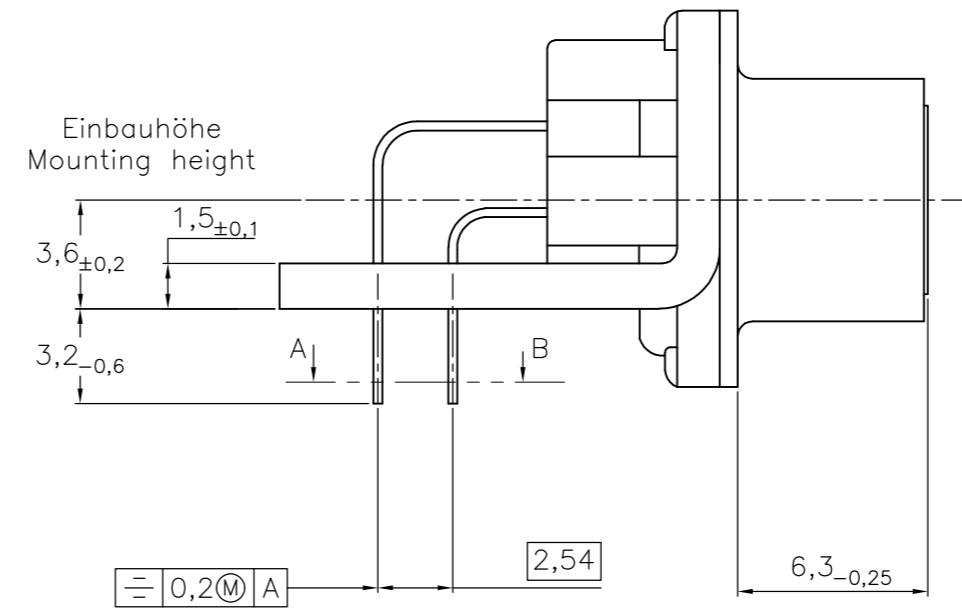
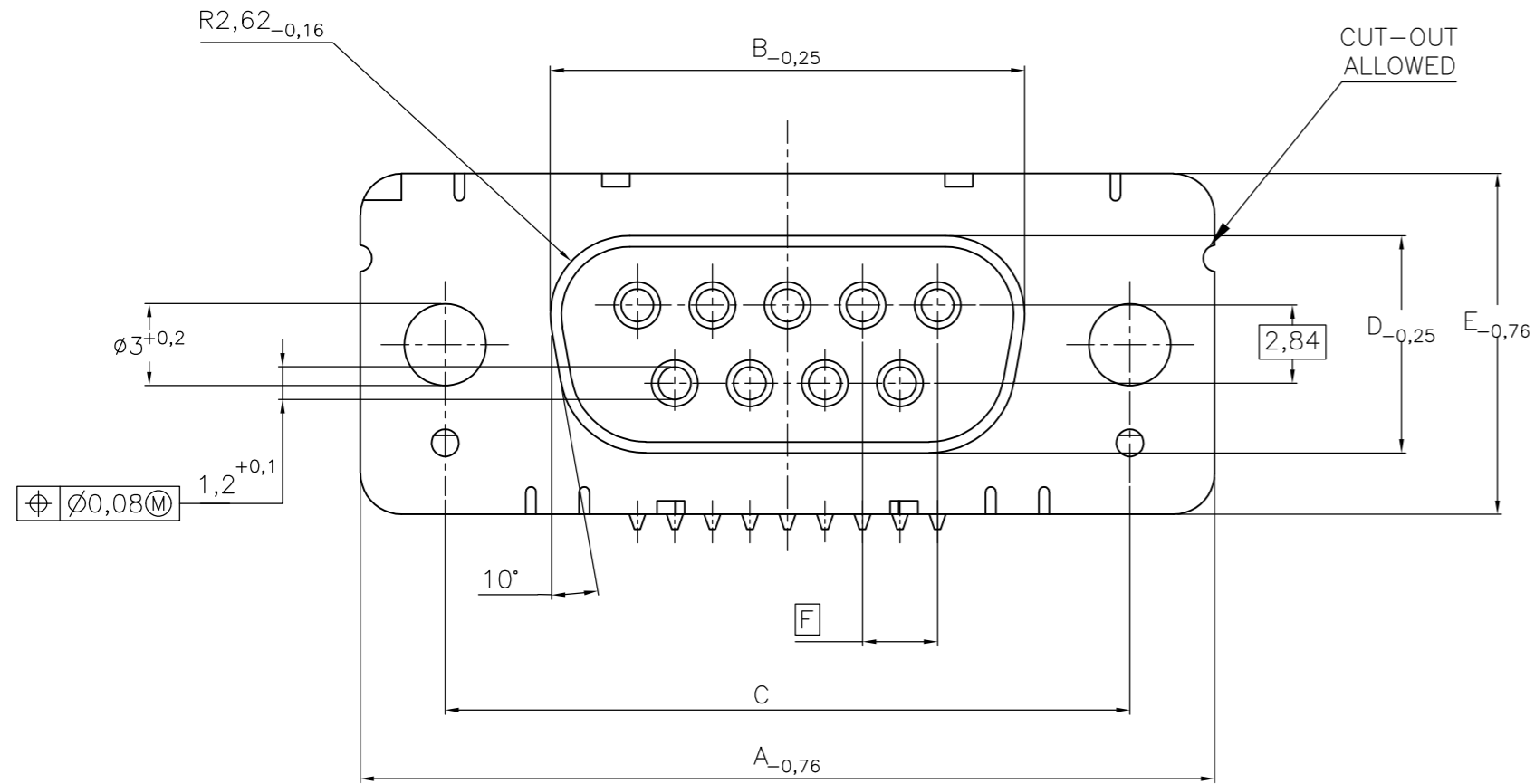


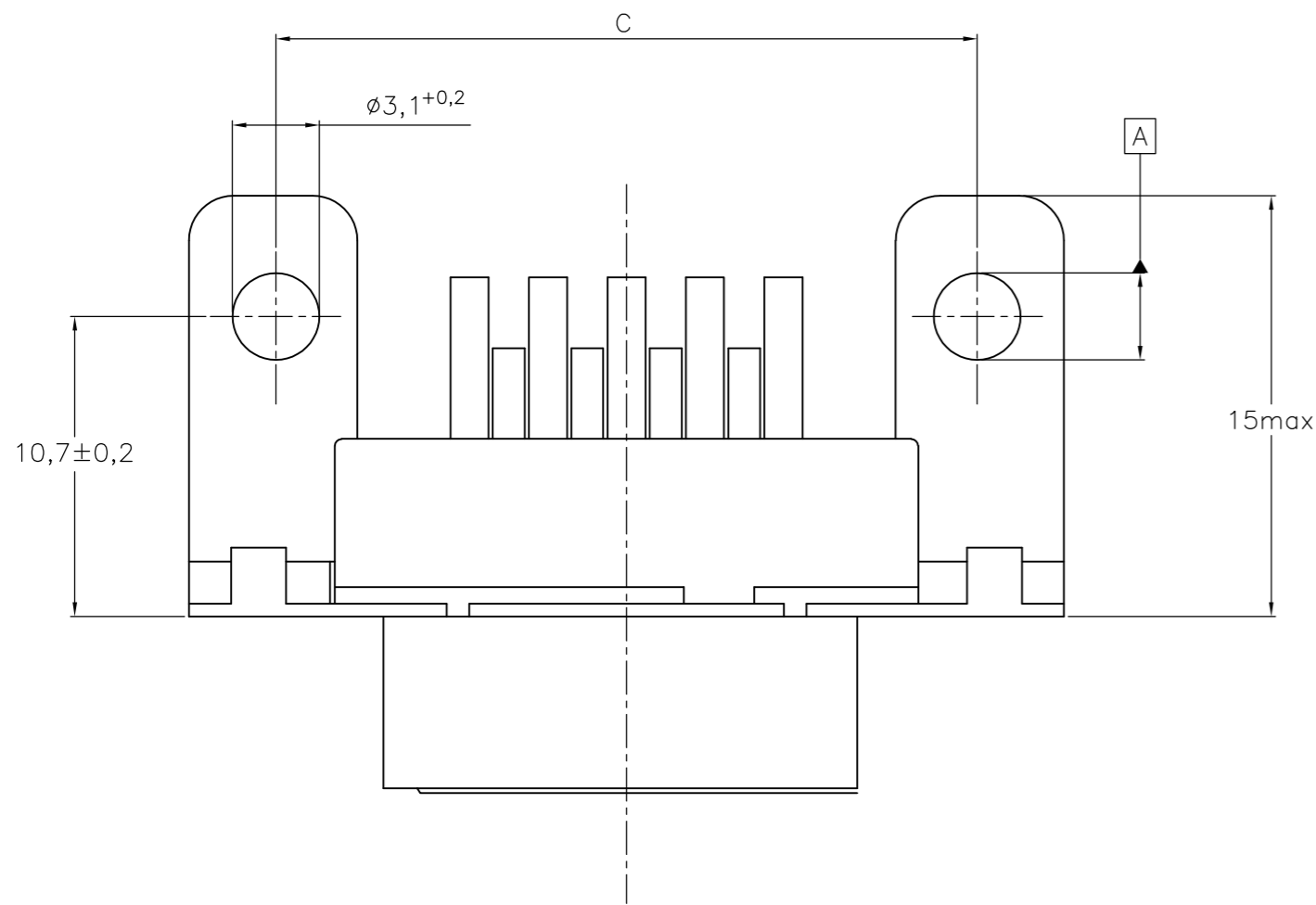
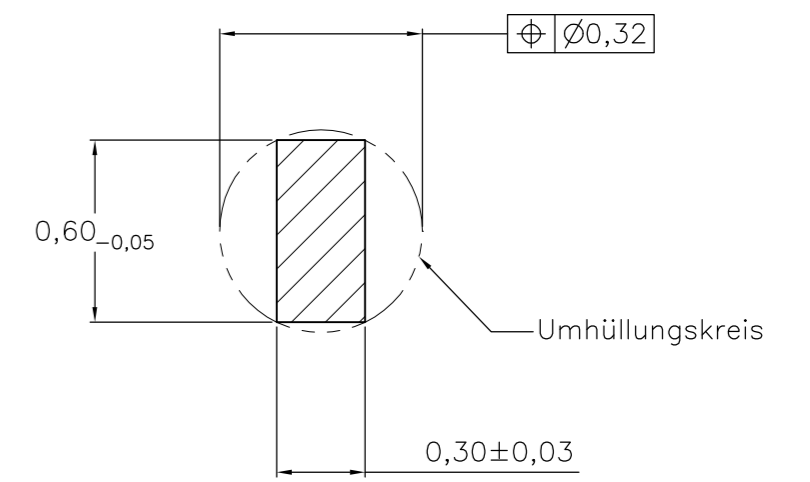
THIS DRAWING IS UNPUBLISHED. RELEASED FOR PUBLICATION  
 © COPYRIGHT - By - ALL RIGHTS RESERVED.

REVISIONS					
P	LTR	DESCRIPTION	DATE	DWN	APVD
G		REVISED PER ECO-16-011203	25AUG2016	AP	DG

Standardausführung: V23529-Bx121-Bxxx-+  
 Standardversion



Schnitt AB des Lötanschlusses  
 Cross-section AB of solderpin  
 (20:1)



Ordercode Sachnr	Contacts Polzahl	Mass/Dimension					
		A	B	C	D	E	F
..-Bx09-+	09	31,19	16,46	25,0 $\begin{smallmatrix} +0,12 \\ -0,13 \end{smallmatrix}$	8,02	12,93	2,74
..-Bx15-+	15	39,52	24,79	33,3 $\begin{smallmatrix} +0,15 \\ -0,1 \end{smallmatrix}$			2,74
..-Bx25-+	25	53,42	38,5	47,04 $\begin{smallmatrix} +0,13 \\ -0,13 \end{smallmatrix}$			2,76
..-Bx37-+	37	69,7	54,96	63,5 $\begin{smallmatrix} +0,13 \\ -0,13 \end{smallmatrix}$			2,76

Anforderungsstufe/Performance level <sup>1)</sup>

1) nach DIN 41652T.2 und T.4  
 according to DIN 41652 T.2 AND T.4

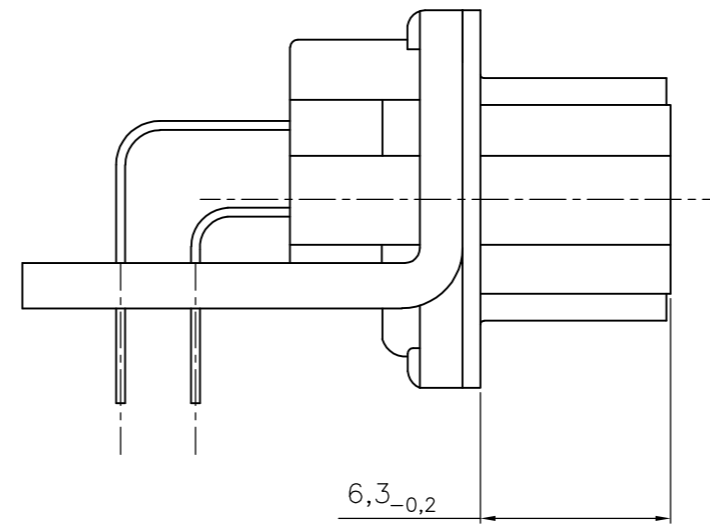
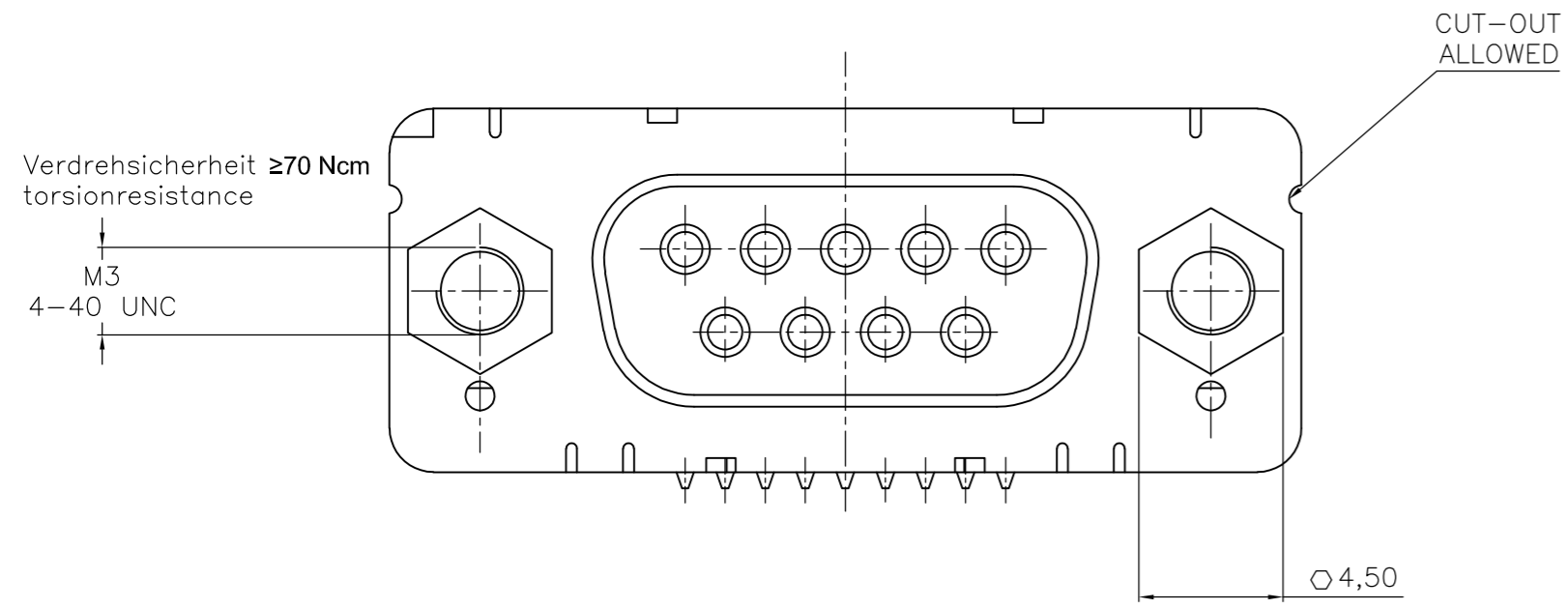
OLD PN: V23529-B\*\*\*\*-B\*\*\*-\*-7427

THIS DRAWING IS A CONTROLLED DOCUMENT.		DWN GNANI JADAV A E	07JAN10	<b>TE</b> TE Connectivity	
DIMENSIONS: mm		CHK K. MALCZYK	APVD K. MALCZYK		
TOLERANCES UNLESS OTHERWISE SPECIFIED:		PRODUCT SPEC		NAME	
0 PLC ± -		APPLICATION SPEC		Buchsenleiste <sup>1)</sup>	
1 PLC ± -		WEIGHT 0		Einbauhöhe 3,6 mm (Variante 1)	
2 PLC ± -		SCALE 2:1		Socketconnector-90° solderversion (Type1) <sup>1)</sup>	
3 PLC ± -		SHEET 1 of 6		RESTRICTED TO	
4 PLC ± -		REV G			
ANGLES ± -		CUSTOMER DRAWING			
FINISH		SIZE A2		CAGE CODE 00779	
		DRAWING NO. 1-1393480-7			

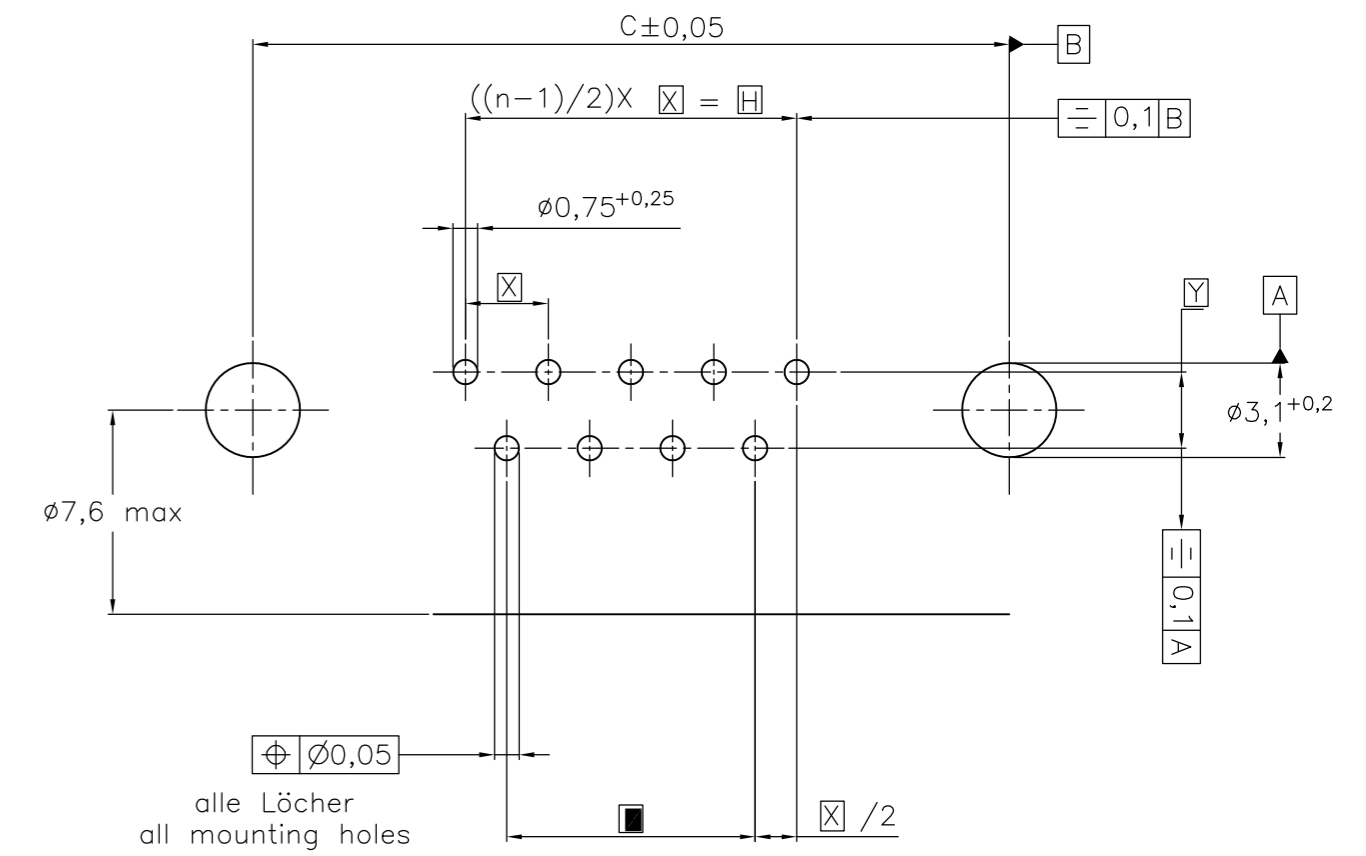
THIS DRAWING IS UNPUBLISHED. RELEASED FOR PUBLICATION  
 © COPYRIGHT - By - ALL RIGHTS RESERVED.

REVISIONS				
P	LTR	DESCRIPTION	DATE	APVD
-	-	SEE SHEET 1	-	-

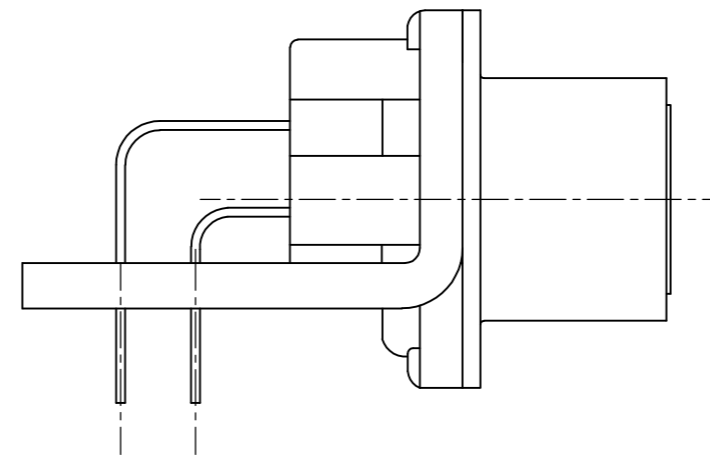
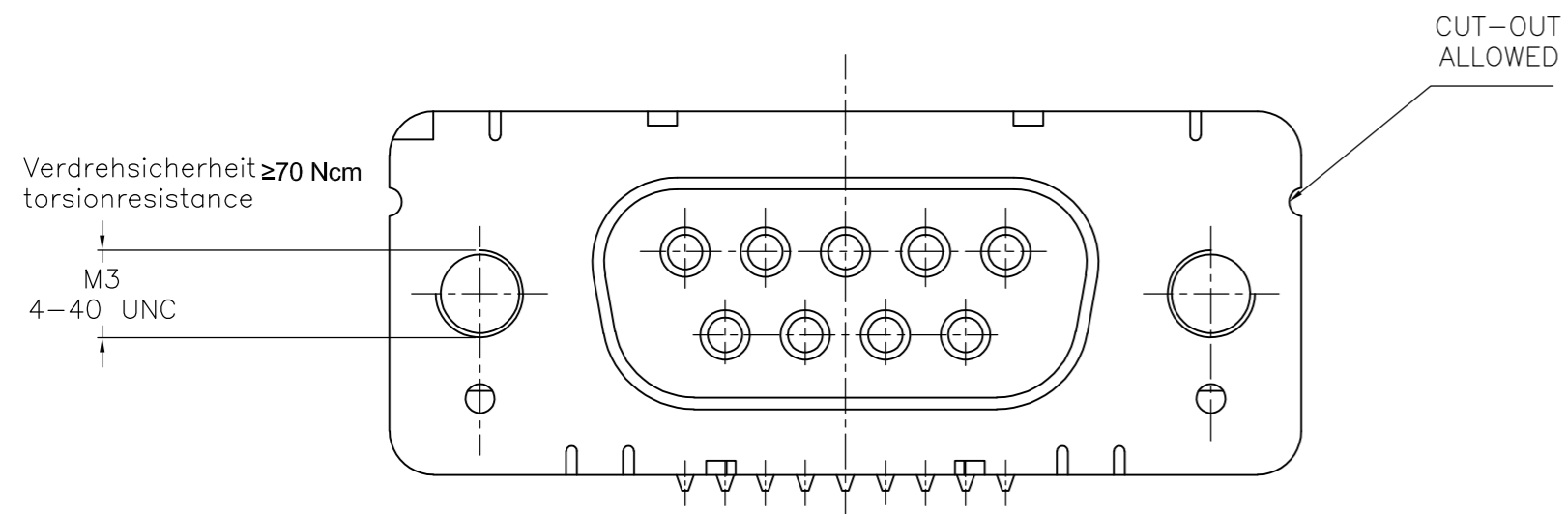
mit Gewindebolzen: M3 V23529-Bxx24-Bxxx-+  
 with threadlock 4-40 UNC V23529-Bxx25-Bxxx-+



Leiterplattenbohrung  
PCB hole pattern



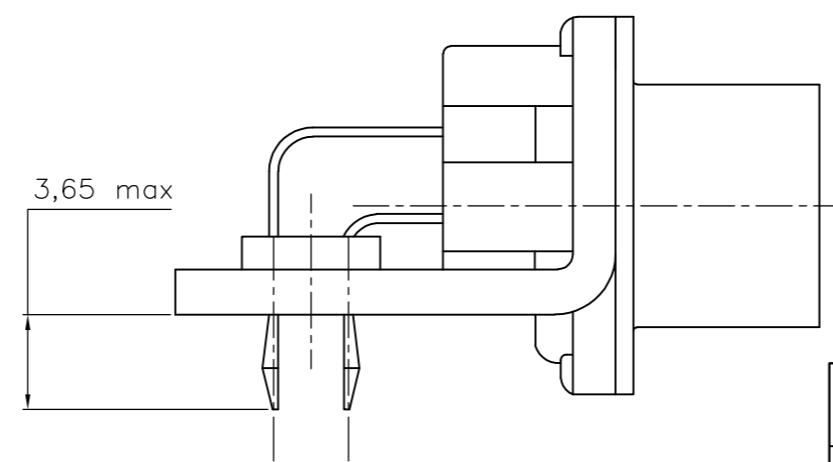
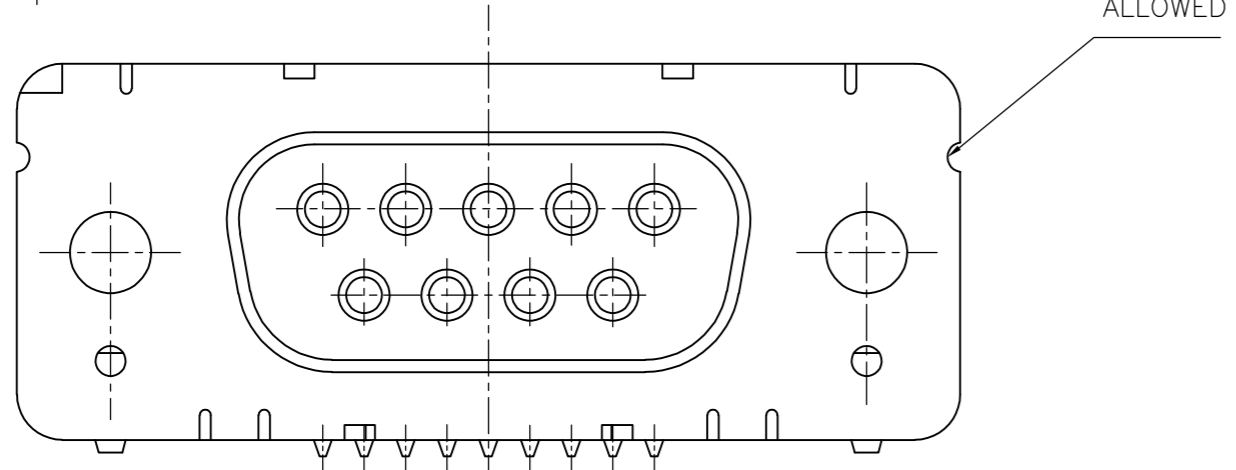
mit Gewinde : M3 V23529-Bxx22-Bxxx-+  
 with thread 4-40 UNC V23529-Bxx23-Bxxx-+



Mass Dimension	Polzahl n Number of contacts n			
	9	15	25	37
C	25	33,3	47,04	63,5
H	10,96	19,18	33,12	49,68
K	8,22	16,44	30,36	46,92
X	2,74	2,74	2,76	2,76
Y	2,54			

1) nach DIN 41652.T.2 und T.4  
 according to DIN 41652 T.2 AND T.4

mit clipbefestigung V23529-Bx22x-Bxxx-+  
 with snap-in



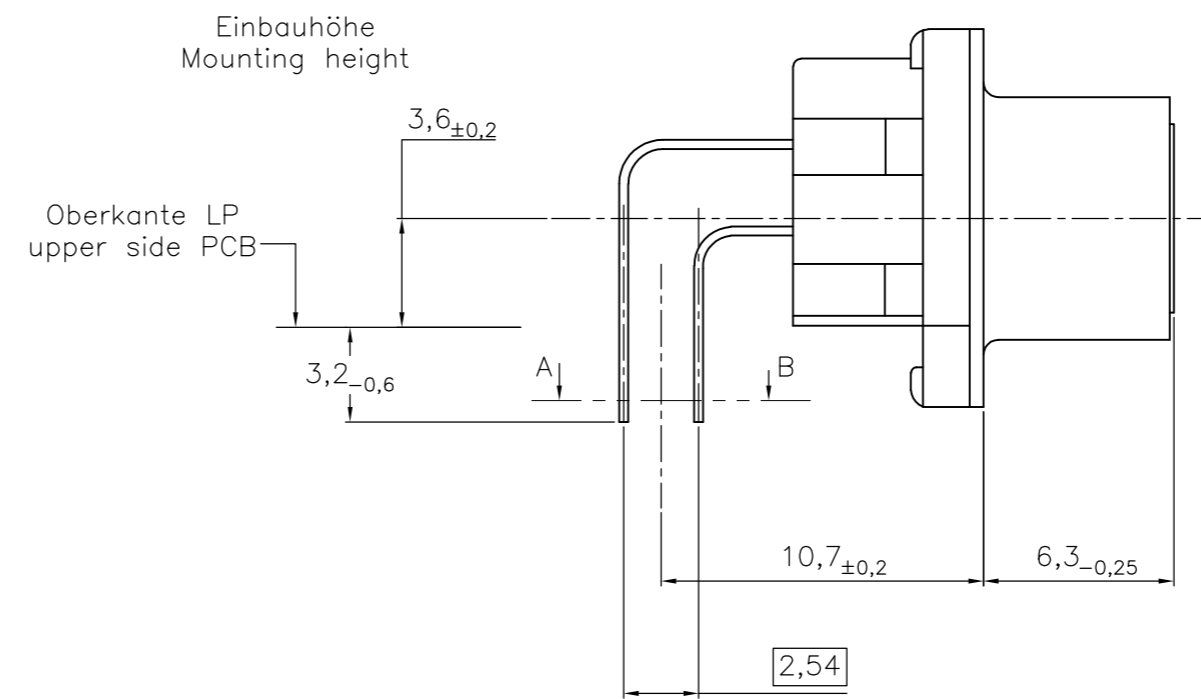
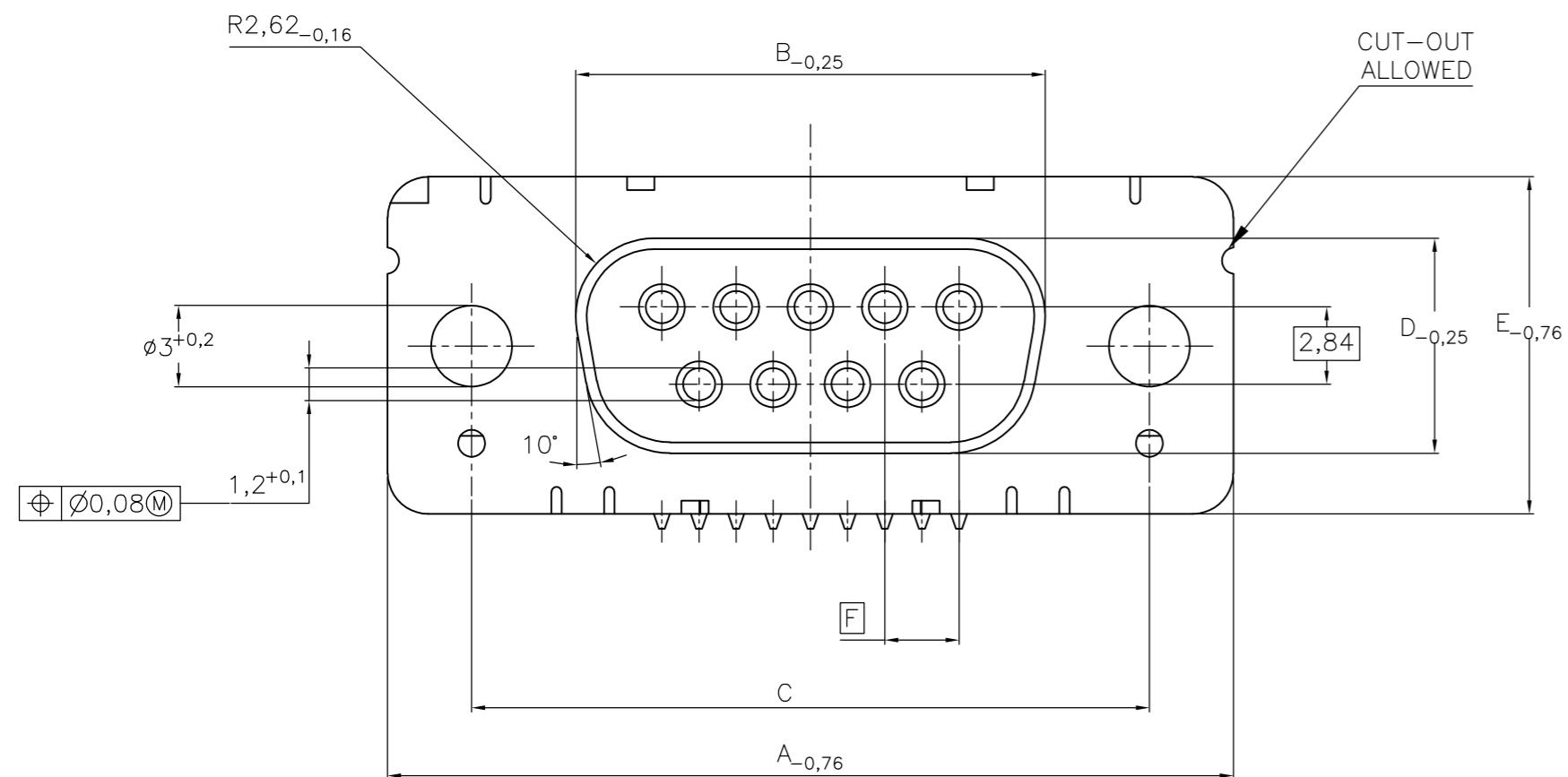
LP-Dicke 1,6±0,13mm, Loch <math>\phi 3,1^{+0,2}</math>  
 PC-board-thickness 1,6±0,13mm, Hole <math>\phi 3,1^{+0,2}</math>

OLD PN: V23529-B\*\*\*\*-B\*\*\*-\*-7427

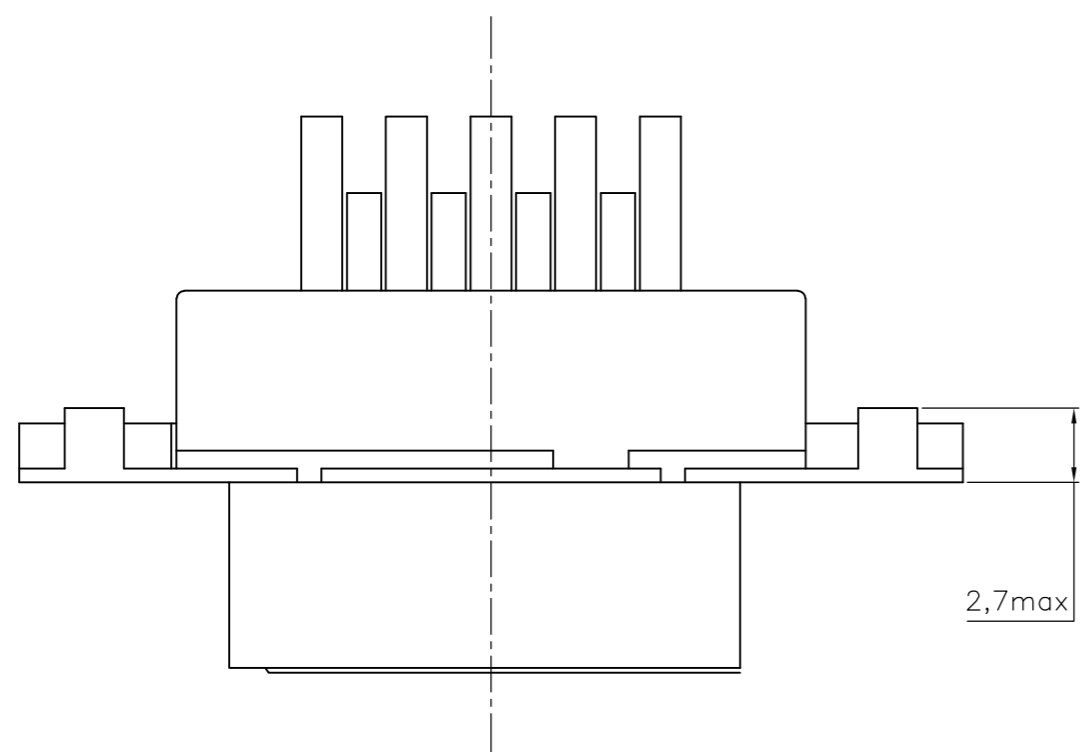
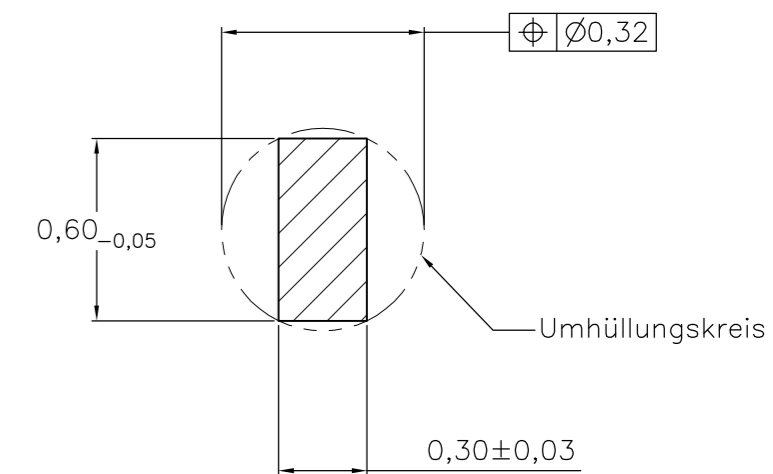
THIS DRAWING IS A CONTROLLED DOCUMENT.		DWN GNANI JADAV A E	07JAN10		
DIMENSIONS: mm		CHK K. MALCZYK	-		
TOLERANCES UNLESS OTHERWISE SPECIFIED:		APVD K. MALCZYK	-		NAME
0 PLC ± -		PRODUCT SPEC	-		Buchsenleiste 1)
1 PLC ± -		APPLICATION SPEC	-		Einbauhöhe 3,6 mm (Variante 1)
2 PLC ± -		WEIGHT	-		Socketconnector-90° solderversion (Type1) <sup>1)</sup>
3 PLC ± -		CUSTOMER DRAWING	-		SIZE
4 PLC ± -		SCALE	2:1		CAGE CODE
ANGLES ± -		SHEET	2 of 6		DRAWING NO
FINISH		REV	G		RESTRICTED TO

REVISIONS					
P	LTR	DESCRIPTION	DATE	DWN	APVD
-	-	SEE SHEET 1	-	-	-

Standardausführung ohne Winkel: V23529-B50x1-Bxxx-+  
 Standardversion without bracket



Schnitt AB des Lötanschlusses  
 Cross-section AB of solderpin  
 (20:1)



Ordercode Sachnr	Contacts Polzahl	Mass/Dimension					
		A	B	C	D	E	F
..-Bx09-+	09	31,19	16,46	25,0 <sup>+0,12</sup> <sub>-0,13</sub>	8,02	12,93	2,74
..-Bx15-+	15	39,52	24,79	33,3 <sup>+0,15</sup> <sub>-0,1</sub>			2,74
..-Bx25-+	25	53,42	38,5	47,04 <sup>+0,13</sup> <sub>-0,13</sub>			2,76
..-Bx37-+	37	69,7	54,96	63,5 <sup>+0,13</sup> <sub>-0,13</sub>			2,76

Anforderungsstufe/Performance level <sup>1)</sup>

OLD PN: V23529-B\*\*\*\*-B\*\*\*-\*-7427

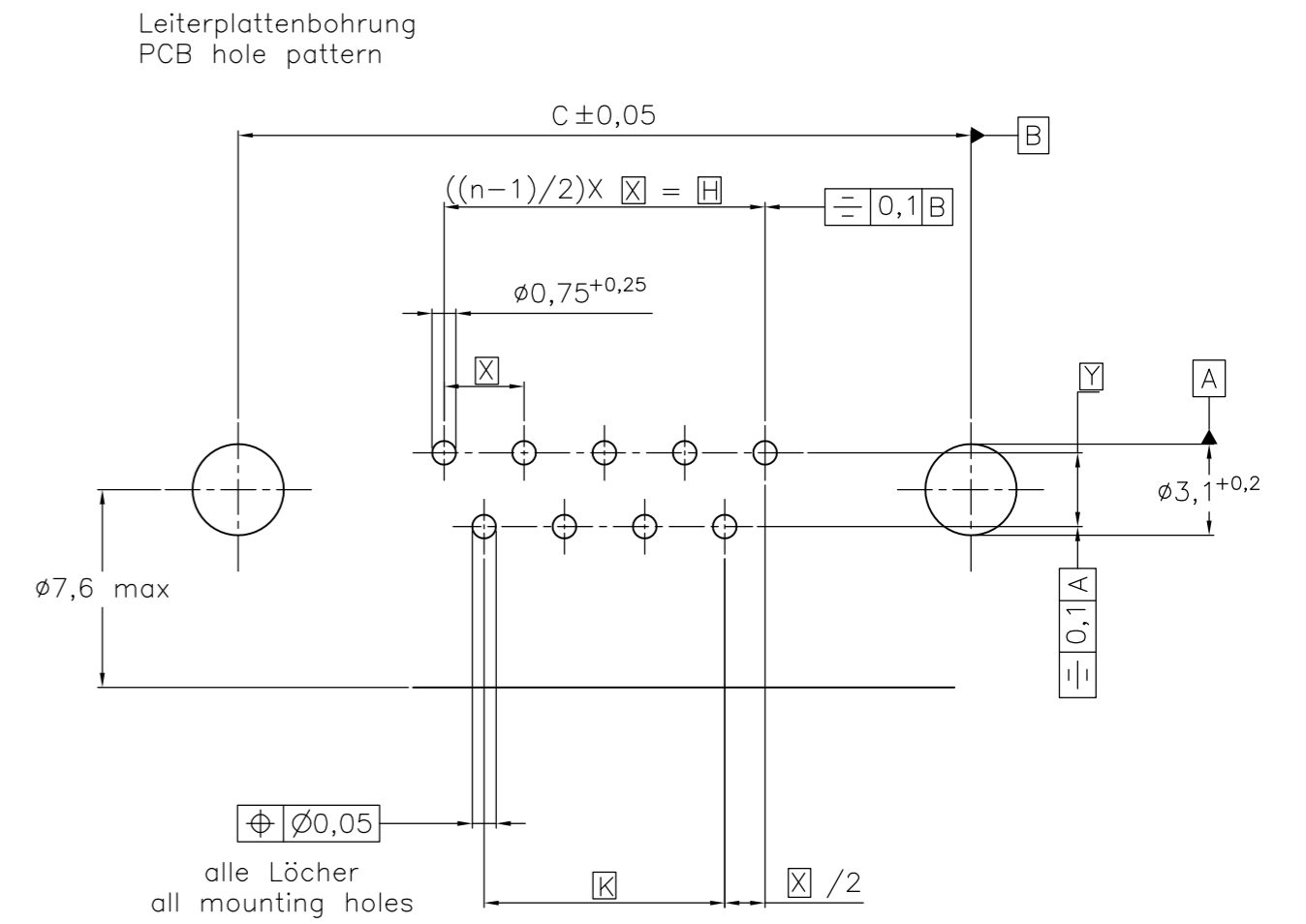
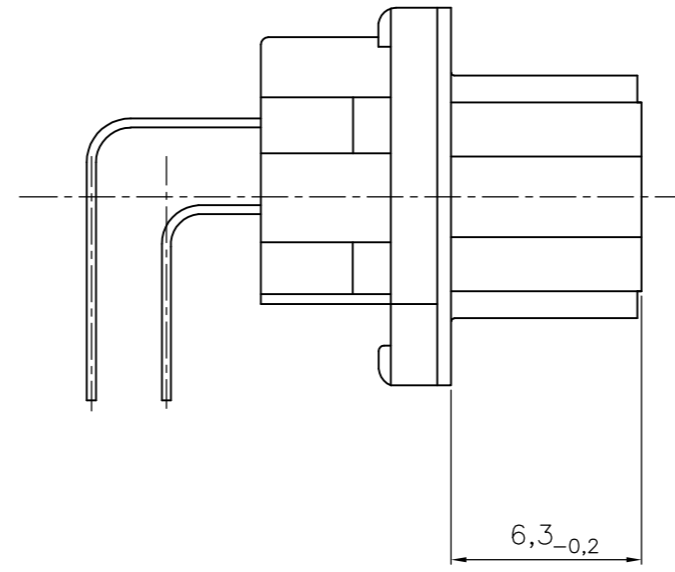
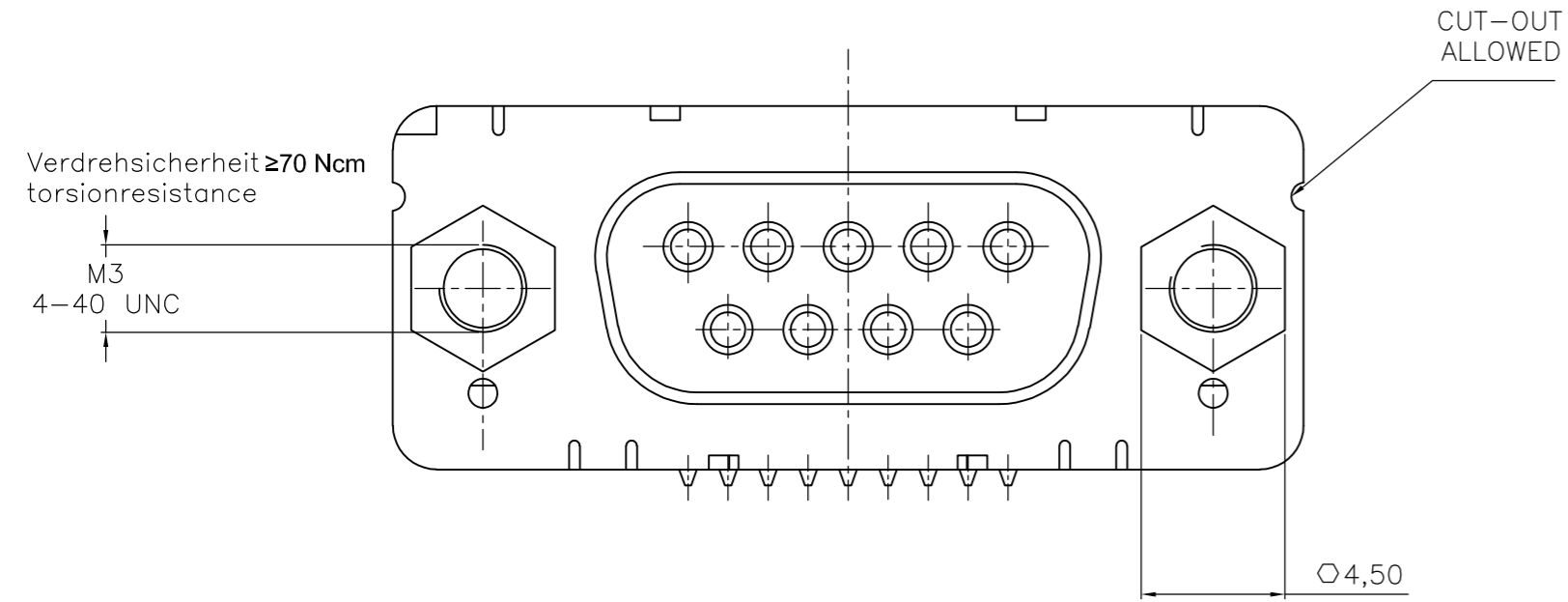
1) nach DIN 41652 T.2 und T.4  
 according to DIN 41652 T.2 AND T.4

THIS DRAWING IS A CONTROLLED DOCUMENT.		DWN GNANI JADAV A E	07JAN10	<b>TE</b> TE Connectivity	
DIMENSIONS: mm		CHK K. MALCZYK	APVD K. MALCZYK		
TOLERANCES UNLESS OTHERWISE SPECIFIED:		PRODUCT SPEC		SIZE A2	
0 PLC ± - 1 PLC ± - 2 PLC ± - 3 PLC ± - 4 PLC ± - ANGLES ± -		APPLICATION SPEC		CAGE CODE 00779	
MATERIAL		WEIGHT		DRAWING NO 1-1393480-7	
FINISH		CUSTOMER DRAWING		RESTRICTED TO	
		SCALE 2:1		SHEET 3 of 6	
				REV G	

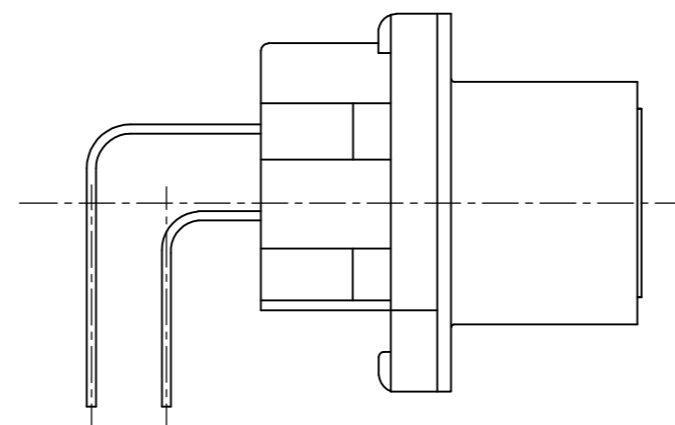
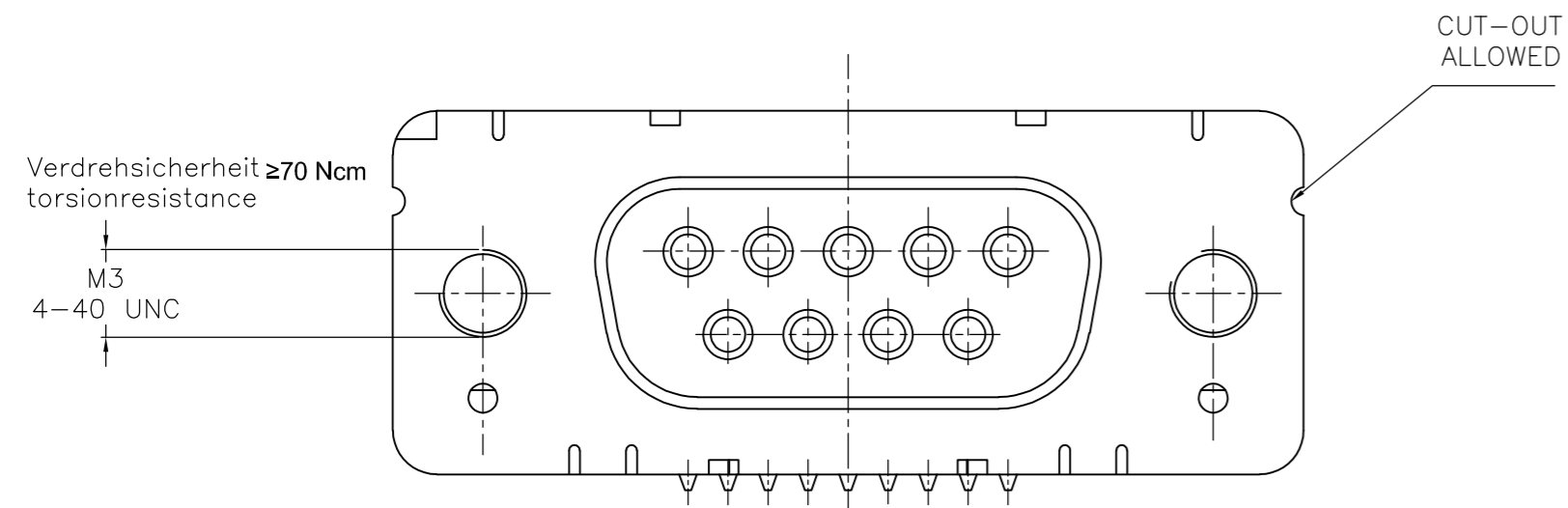
THIS DRAWING IS UNPUBLISHED. RELEASED FOR PUBLICATION  
 © COPYRIGHT - By - ALL RIGHTS RESERVED.

REVISIONS					
P	LTR	DESCRIPTION	DATE	DWN	APVD
-	-	SEE SHEET 1	-	-	-

mit Gewindebolzen: M3 V23529-B50x4-Bxxx-+  
 with threadlock 4-40 UNC V23529-B50x5-Bxxx-+



mit Gewinde : M3 V23529-B50x2-Bxxx-+  
 with thread 4-40 UNC V23529-B50x3-Bxxx-+



Mass Dimension	Polzahl n Number of contacts n			
	9	15	25	37
C	25	33,3	47,04	63,5
H	10,96	19,18	33,12	49,68
K	8,22	16,44	30,36	46,92
X	2,74	2,74	2,76	2,76
Y	2,54			

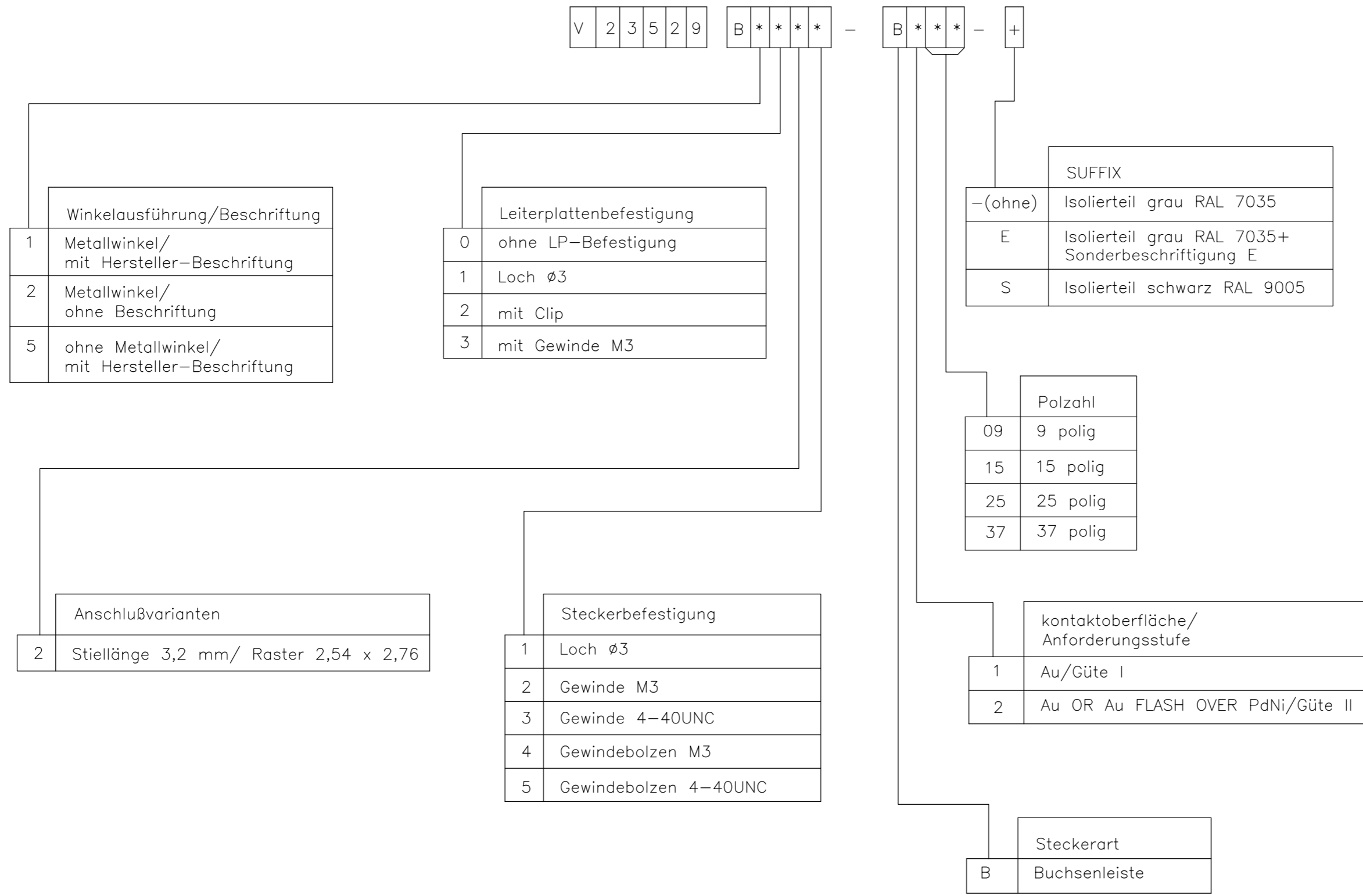
1) nach DIN 41652T.2 und T.4  
 according to DIN 41652 T.2 AND T.4

OLD PN: V23529-B\*\*\*\*-B\*\*\*-\*-7427

THIS DRAWING IS A CONTROLLED DOCUMENT.		DWN GNANI JADAV A E	07JAN10	TE Connectivity	
DIMENSIONS: mm		CHK K. MALCZYK	APVD K. MALCZYK	NAME Buchsenleiste Einbauhöhe 3,6 mm (Variante 1) Socketconnector-90° solderversion (Type1) <sup>1)</sup>	
TOLERANCES UNLESS OTHERWISE SPECIFIED: 0 PLC ± - 1 PLC ± - 2 PLC ± - 3 PLC ± - 4 PLC ± - ANGLES ± -		PRODUCT SPEC	APPLICATION SPEC	SIZE A2	CAGE CODE 00779
MATERIAL		WEIGHT	SCALE 2:1	DRAWING NO 1-1393480-7	RESTRICTED TO
FINISH		CUSTOMER DRAWING	SHEET 4 of 6	REV G	

THIS DRAWING IS UNPUBLISHED. RELEASED FOR PUBLICATION  
 © COPYRIGHT - By - ALL RIGHTS RESERVED.

REVISIONS				
P	LTR	DESCRIPTION	DATE	APVD
-	-	SEE SHEET 1	-	-



**Anschlußvarianten**

2	Stiellänge 3,2 mm/ Raster 2,54 x 2,76
---	---------------------------------------

**Steckerbefestigung**

1	Loch $\varnothing 3$
2	Gewinde M3
3	Gewinde 4-40UNC
4	Gewindebolzen M3
5	Gewindebolzen 4-40UNC

**Polzahl**

09	9 polig
15	15 polig
25	25 polig
37	37 polig

**kontaktoberfläche/ Anforderungsstufe**

1	Au/Güte I
2	Au OR Au FLASH OVER PdNi/Güte II

**Steckerart**

B	Buchsenleiste
---	---------------

1) nach DIN 41652T.2 und T.4 according to DIN 41652 p.2 AND p.4

OLD PN: V23529-B\*\*\*\*\*-B\*\*\*-\*-7427

THIS DRAWING IS A CONTROLLED DOCUMENT.		DWN GNANI JADAV A E	07JAN10		
DIMENSIONS: mm		CHK K. MALCZYK	APVD K. MALCZYK		
		TOLERANCES UNLESS OTHERWISE SPECIFIED: 0 PLC ± - 1 PLC ± - 2 PLC ± - 3 PLC ± - 4 PLC ± - ANGLES ± -		NAME Buchsenleiste Einbauhöhe 3,6 mm (Variante 1) <sup>1)</sup> Socketconnector-90° solderversion (Type1) <sup>1)</sup>	
MATERIAL		FINISH		SIZE A2	CAGE CODE 00779
				DRAWING NO C=1-1393480-7	
				RESTRICTED TO	
				SCALE 2:1	SHEET 5 of 6
				REV G	

THIS DRAWING IS UNPUBLISHED. RELEASED FOR PUBLICATION  
 © COPYRIGHT - By - ALL RIGHTS RESERVED.

REVISIONS				
P	LTR	DESCRIPTION	DATE	APVD
-	-	SEE SHEET 1	-	-

Active part numbers. Contact TE CONNECTIVITY for other configuration availability


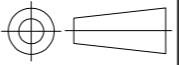
Old Part Number	TE CONNECTIVITY Part Number
V23529-B1121-B209	1-1393480-7
V23529-B1121-B215	1-1393480-8
V23529-B1121-B225	1-1393480-9
V23529-B1121-B237	2-1393480-0
V23529-B1122-B209	2-1393480-8
V23529-B1122-B215	2-1393480-9
V23529-B1122-B225	3-1393480-0
V23529-B1122-B237	3-1392010-8
V23529-B1123-B109	3-1393480-4
V23529-B1123-B209	3-1393480-6
V23529-B1123-B215	3-1393480-7
V23529-B1123-B225	3-1393480-8
V23529-B1123-B237	3-1393480-9
V23529-B1125-B209	4-1393480-7
V23529-B1125-B215	4-1393480-8
V23529-B1125-B225	4-1393480-9
V23529-B1125-B237	5-1393480-0
V23529-B1221-B209	5-1393480-5
V23529-B1221-B215	5-1393480-6
V23529-B1221-B225	5-1393480-7
V23529-B1222-B109	6-1393480-4

Old Part Number	TE CONNECTIVITY Part Number
V23529-B1222-B115	6-1393480-5
V23529-B1222-B125	6-1393480-6
V23529-B1222-B209	6-1393480-7
V23529-B1222-B215	6-1393480-8
V23529-B1222-B225	6-1393480-9
V23529-B1222-B237	7-1393480-0
V23529-B1223-B109	7-1393480-8
V23529-B1223-B115	7-1393480-9
V23529-B1223-B125	8-1393480-0
V23529-B1223-B209	8-1393480-1
V23529-B1223-B215	8-1393480-2
V23529-B1223-B225	8-1393480-3
V23529-B1223-B237	8-1393480-4
V23529-B1224-B209	9-1393480-0
V23529-B1224-B215	9-1393480-1
V23529-B1224-B225	9-1393480-2
V23529-B1225-B209	9-1393480-9
V23529-B1225-B215	1393481-1
V23529-B1225-B225	1393481-2
V23529-B1225-B237	3-1392010-7
V23529-B2221-B209	1-1393481-1

OBSOLETE  
 OBSOLETE  
 OBSOLETE  
 OBSOLETE

1) nach DIN 41652 T.2 und T.4  
 according to DIN 41652 p.2 AND p.4

OLD PN: V23529-B\*\*\*\*-B\*\*\*-\*-7427

THIS DRAWING IS A CONTROLLED DOCUMENT.		DWN 07JAN10 GNANI JADAV A E	 TE Connectivity	
DIMENSIONS: mm		CHK K. MALCZYK		
		APVD K. MALCZYK	NAME Buchsenleiste <sup>1)</sup> Einbauhöhe 3,6 mm (Variante 1) Socketconnector-90° solderversion (Type1) <sup>1)</sup>	
TOLERANCES UNLESS OTHERWISE SPECIFIED:		PRODUCT SPEC	RESTRICTED TO	
0 PLC ± -		APPLICATION SPEC	SIZE A2	CAGE CODE 00779
1 PLC ± -		WEIGHT -	DRAWING NO C=1-1393480-7	
2 PLC ± -		CUSTOMER DRAWING		
3 PLC ± -		SCALE 2:1 SHEET 6 of 6 REV G		
4 PLC ± -				
ANGLES ± -				
FINISH -				

1-1393480-7

# Mouser Electronics

Authorized Distributor

Click to View Pricing, Inventory, Delivery & Lifecycle Information:

[TE Connectivity:](#)

[8-1393480-1](#)