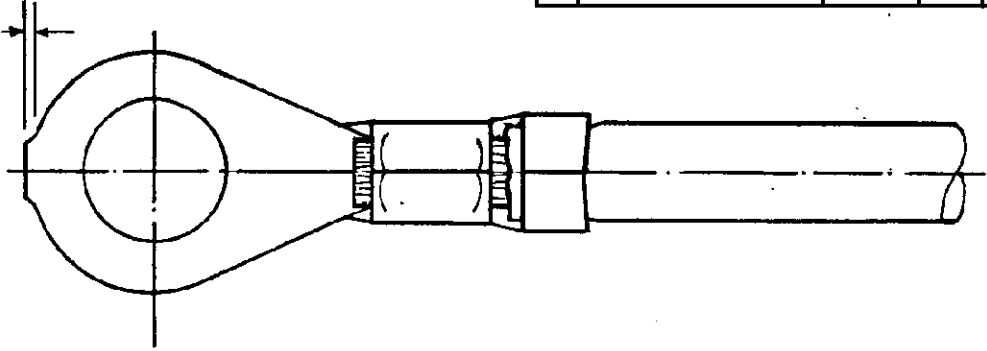


DRAWING MADE IN AMERICAN PROJECTION

LTR.	REVISION RECORD	DR.	APP.	DATE
C1	ECR-10-022530	KK	HMR	03FEB11

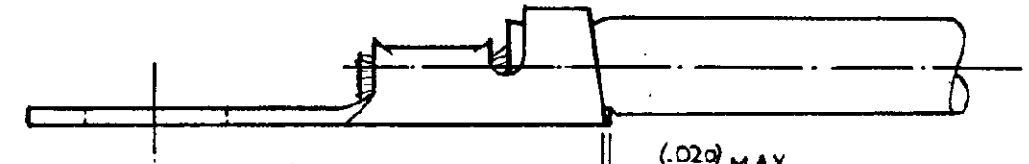
NUMBER 160787

(.020) MAX
0,5



(.171 ± .005) DIA
43 ± 0,15 DIA

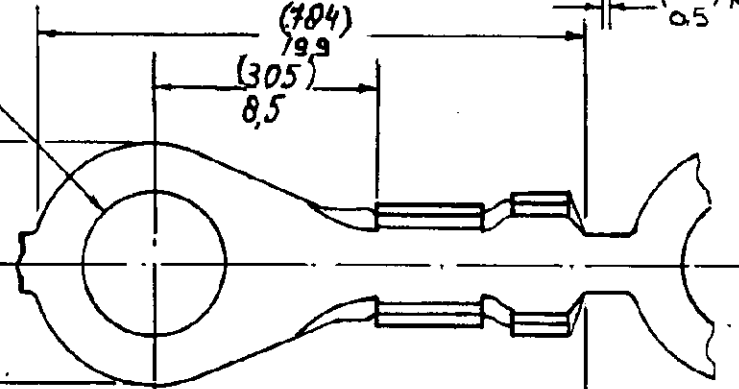
(.342)
8,7



(.704)
19,9

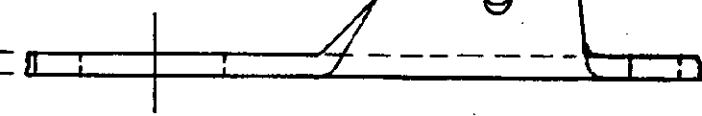
(.305)
8,5

(.020) MAX
0,5



(.613)
15,6

(.024)
0,6



DOC. CENTRE
03 NOV. 1994

- ⚠ REELED WITH PAPER AND WITH PAPERCOVER
- ⚠ OBSOLETE

DIMENSIONS IN MM. DO NOT SCALE PRINT

CUSTOMER COPY FOR REFERENCE ONLY

©1979 BY TE - HOLLAND N.V. ALL RIGHTS RESERVED TE PRODUCTS COVERED BY PATENTS AND/OR PATENTS PENDING.



TE Connectivity

160787-2	BRASS	⚠ + ⚠
160787-1	BRASS	+

WIRE RANGE 18 - 14 AWG 0,8 - 2,1 MM	INSUL. RANGE (.100 - .140) 2,54 - 3,56	FIRST USED
---	--	------------

ORDER NO.	MATERIAL	PLATING	SCALE	LOC	SIZE	NO	REV
			N.T.S.	H	A	C-160787	C1

DATE	DE	DATE
12-79		
DATE	AP	DATE

NAME RINGTONGUE

Mouser Electronics

Authorized Distributor

Click to View Pricing, Inventory, Delivery & Lifecycle Information:

[TE Connectivity:](#)

[160787-1](#)