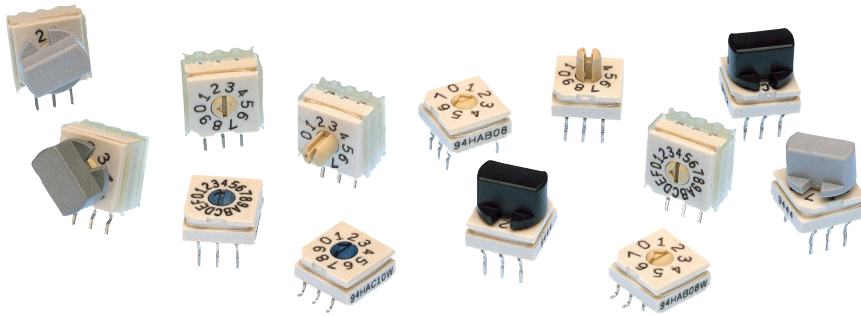


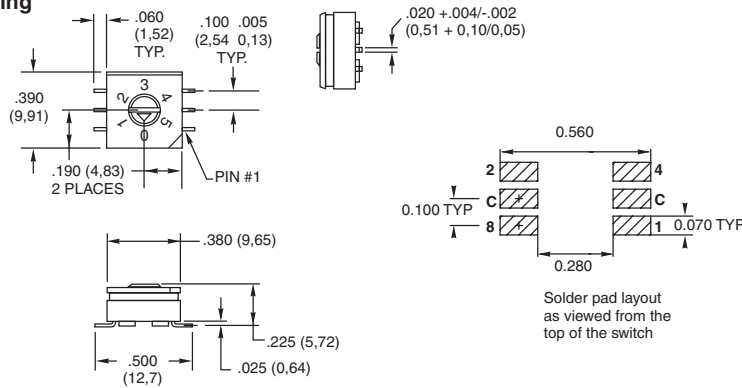
SERIES 94H Binary Coded



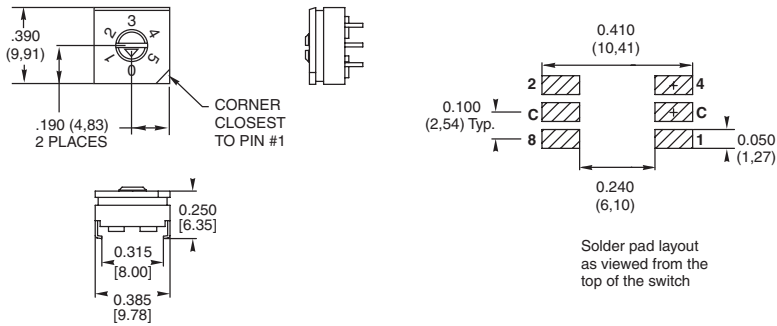
DIMENSIONS in inches (and millimeters)

Tolerances are $\pm .010$ inches unless specified otherwise.

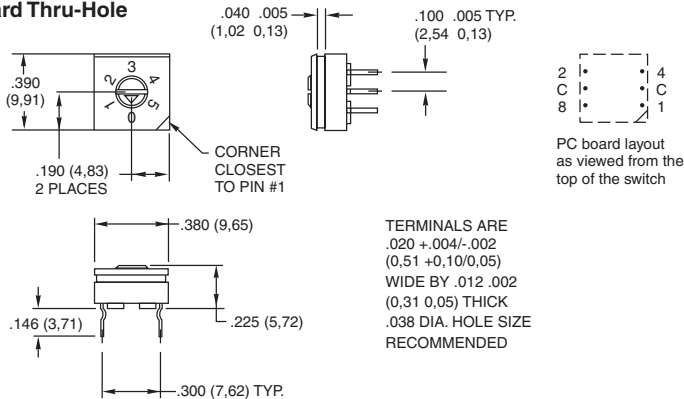
Surface Mount Gullwing



Surface Mount J-Lead



Standard Thru-Hole



FEATURES

- Sealed Construction; No Tape Seal Required
- Surface Mount or Thru-Hole Style
- Tube or Tape and Reel Packaging
- Octal, BCD, and Hexadecimal Code
- In Standard or Complement
- Standard and Right Angle Mount
- Flush or Extended Actuators
- Gold-Plated Contacts
- RoHS Compliant

ACTUATOR STYLES



Octal-8 position



BCD-10 position



Hex-16 position



Figure 2
"F" style rotor

Figure 1
"A" style rotor

All actuation types are available in octal (8), binary coded decimal (10), or hexadecimal (16) codes; with either standard or complement output. Standard code outputs have natural color rotors; complements in a contrasting color.

EXTENDED ACTUATOR TYPES

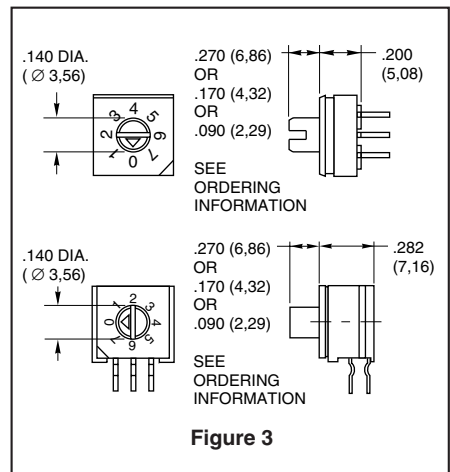
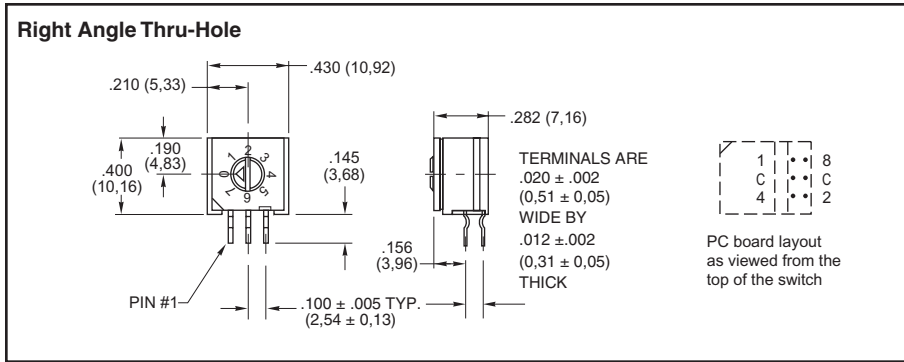
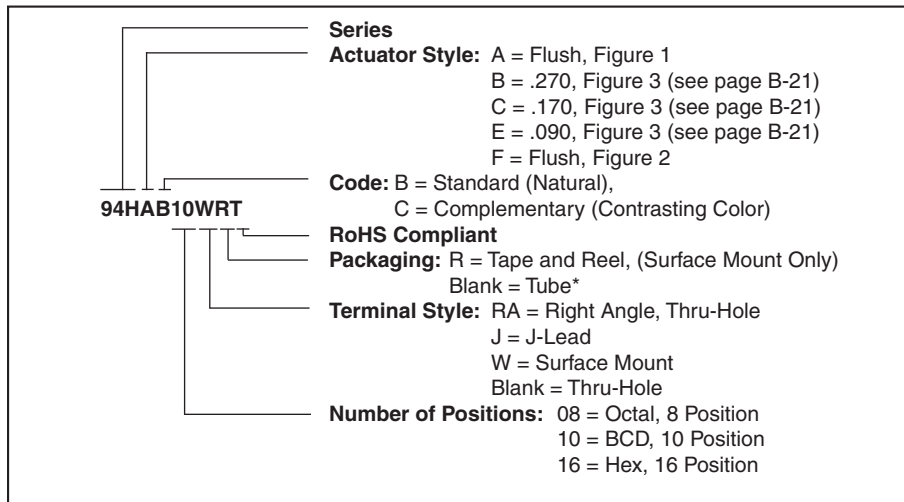


Figure 3

DIMENSIONS in inches (and millimeters)

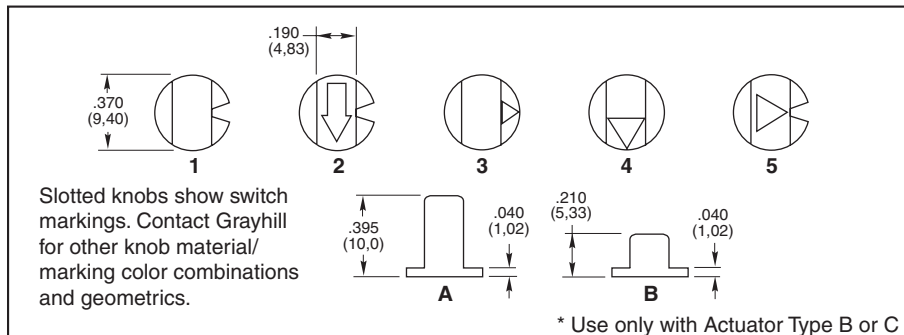


ORDERING INFORMATION: Series 94H



* 27 Pieces per tube for surface mount and thru-hole, 24 pieces per tube for right angle switches.

SERIES 94 High Temperature Knobs: For Shaft Extensions

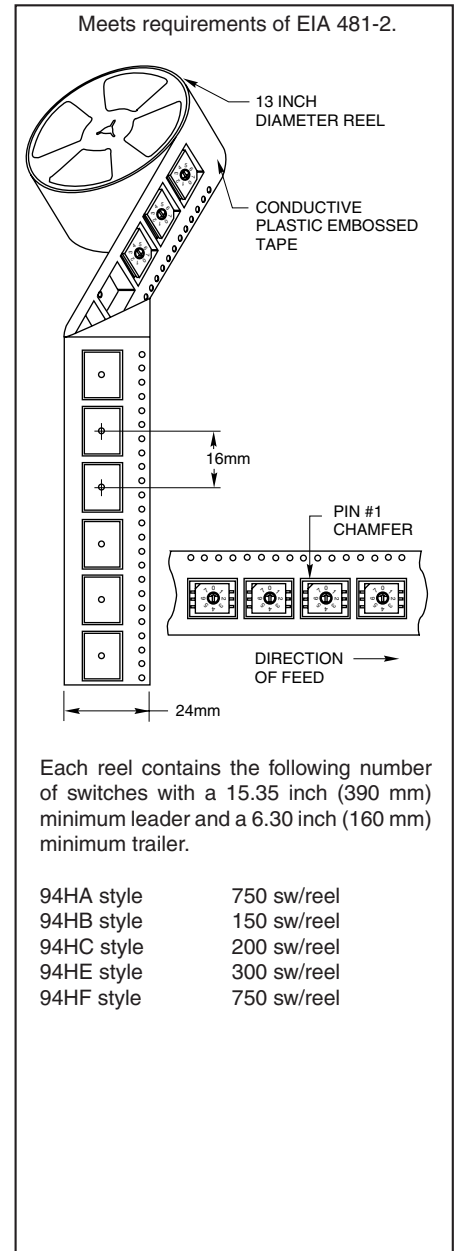


ORDERING INFORMATION: Series 94 High Temperature Knobs*

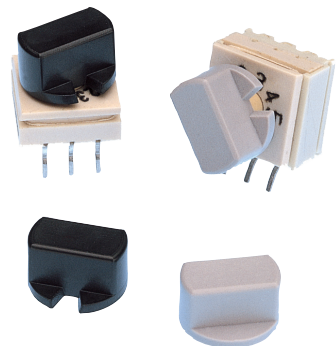
Knob Style and Height	Knob Color	Arrow Color	Part Number
1A	Gray	N/A	947706-001
5A	Gray	Black	947706-005
1B	Black	N/A	947705-001
1B	Gray	N/A	947705-012
2B	Gray	White	947705-004
3B	Gray	Black	947705-017
4B	Gray	Black	947705-018
1B	Natural	N/A	947705-009
4B	Black	White	947705-010
5B	Gray	Black	947705-019

*Ordered as a separate item. B = Standard (Natural), C = Complementary (Contrasting Color).

TAPE AND REEL PACKAGING: Series 94H



94HA style	750 sw/reel
94HB style	150 sw/reel
94HC style	200 sw/reel
94HE style	300 sw/reel
94HF style	750 sw/reel



Available from your local Grayhill Distributor.
 For prices and discounts, contact a local Sales Office, an authorized Distributor or Grayhill.

SPECIFICATIONS

Electrical Ratings

Make-and-break Current Rating: 30 mA at 30 Vdc for 10,000 cycles of operation.

Carrying Current Rating: 100 mA at 50 Vdc

Contact Resistance: 50 mohms maximum initially (measured at 10 mA, 50 mVdc). 150 mohms maximum after life.

Insulation Resistance:(measured at 100 Vdc across open switch contacts)

Initial: 5000 Mohms minimum. After Life: 1000 Mohms minimum.

Dielectric Strength: (measured across open switch contacts) Initial: 500 Vac RMS minimum. After Life: 250 Vac RMS

Mechanical Ratings

Mechanical Life: 10,000 cycles of operation. One cycle is a rotation through all positions and a complete return through all positions.

Mechanical Shock: 1000g's, 0.5mS, half sine per MIL-STD-202F, Method 213, Test Condition E.

Vibration Resistance: 10-2000 Hz at 15G or 0.060" double amplitude per MIL-STD-202F, Method 204, Test Condition B.

Operational Torque: 2 to 6 inch-ounces initially and 1.2 inch-ounces minimum after life.

Environmental Ratings

Operating Temperature Range: -40° to +85°C.

Storage Temperature Range: -40° to +85°C.

Moisture Resistance: 240 hours with temperature cycling and polarization. Passes insulation resistance and dielectric strength per MIL-STD-202F, Method 106 following exposure.

Materials and Finishes

Rotor and Switch Body: Plastic (UL94V-O)

Contact Material: Copper alloy plated. 30 microinches minimum gold over 50 microinches minimum nickel.

Shorting Member: Copper alloy plated. 30 microinches minimum gold over 50 microinches minimum nickel.

Terminals: Copper alloy, matte tin plated over nickel barrier.

Internal O-ring: Rubber BUNA-N

Soldering Information

*For the most current soldering & cleaning processing guidelines, reference Grayhill Dip Switch Processing Information, Bulletin 1234

Soldering Temperature: 260° C maximum.
Cleaning: Acceptable solutions include 1-1-1 Trichlorethane, Freon (TF, TE, or TMS), Isopropyl Alcohol and detergent (140°F maximum). Solutions which are not recommended include Acetone, Methylene Chloride, and Freon TMC.

CODE & TRUTH TABLES

All switches are continuous rotation.

Dot indicates terminal to common connection.

Octal and Octal Complement outputs are 0 thru 7 positions.

BCD and BCD Complement outputs are 0 thru 9 positions.

Hexadecimal and Hexadecimal Complement outputs are 0 thru F positions.

Standard codes have natural color rotors. Complements have rotors in a contrasting color.

		Standard Output				Complement Output			
		CODE OUTPUT				CODE OUTPUT			
		1	2	4	8	1	2	4	8
SWITCH POSITION	0					●	●	●	●
	1	●					●	●	●
	2		●			●		●	●
	3	●	●					●	●
	4			●		●	●		●
	5	●		●			●		●
	6		●	●		●		●	●
	7	●	●	●					●
	8				●	●	●	●	
	9	●			●		●	●	
	A		●	●		●	●		
	B	●	●	●				●	
	C			●	●	●	●		
	D	●		●	●		●		
	E		●	●	●	●			
	F	●	●	●	●				

Mouser Electronics

Authorized Distributor

Click to View Pricing, Inventory, Delivery & Lifecycle Information:

Grayhill:

[947705-001](#) [947705-010](#) [947705-012](#) [947705-017](#) [947705-019](#) [947706-001](#) [94HBB08RAT](#) [94HBB08T](#)
[94HBB10T](#) [94HBB16RAT](#) [94HBB16T](#) [94HBB16WRT](#) [94HBB16WT](#) [94HBC16T](#) [94HCB08RAT](#) [94HCB10T](#)
[94HCB10WT](#) [94HCC10RAT](#) [94HCC10T](#) [94HEB08T](#) [94HEB08WRT](#) [94HEB10T](#) [94HEB16WRT](#) [94HFB10T](#)
[94HFB16RAT](#) [94HFC16WT](#) [94HCC10WRT](#) [94HCC08WT](#) [94HFC16JRT](#) [94HFB08WT](#) [94HBC16WRT](#)
[94HFB08RAT](#) [94HCB08T](#) [94HFC16T](#) [94HCC08JT](#) [94HBC08RAT](#) [947705-016](#) [94HBB10WRT](#) [94HFC08T](#) [947706-](#)
[005](#) [94HBC08WT](#) [94HCC16T](#) [94HEB16RAT](#) [94HEB10WRT](#) [947706-006](#) [94HCB10RAT](#) [94HFB10JRT](#)
[94HBB10RAT](#) [94HBC10RAT](#) [94HFB16WT](#) [94HCB08WRT](#) [94HBB10WT](#) [94HCB16WRT](#) [94HBC16WT](#) [94HCC16WT](#)
[94HCB10RT](#) [94HFB16JT](#) [947705-020](#) [94HCC08RAT](#) [94HFC08WRT](#) [94HEB16T](#) [94HBB16JT](#) [94HEB08RAT](#)
[94HCC16RAT](#) [94HEB10WT](#) [947705-018](#) [94HBB08WRT](#) [94HBC10WRT](#) [94HEB16WT](#) [94HBC16RAT](#) [947705-004](#)
[94HEB10RAT](#) [94HFB16JRT](#) [94HFB10RAT](#) [947706-003](#) [947705-021](#) [947706-002](#) [94HFC10WRT](#) [94HFC10RAT](#)
[94HFB08WRT](#) [94HBC08WRT](#) [94HFC08RAT](#) [94HFB16T](#) [94HCC10WT](#) [94HBC08T](#) [94HFC16JT](#) [94HFB10WRT](#)
[94HBC10WT](#) [94HFC10T](#) [94HBB10JT](#) [947705-003](#) [94HCB16WT](#) [947702-001](#) [94HCB08WT](#) [94HFB08T](#)
[94HCB10WRT](#) [947705-022](#) [94HFC16RAT](#) [94HFB16WRT](#) [94HCB16T](#)