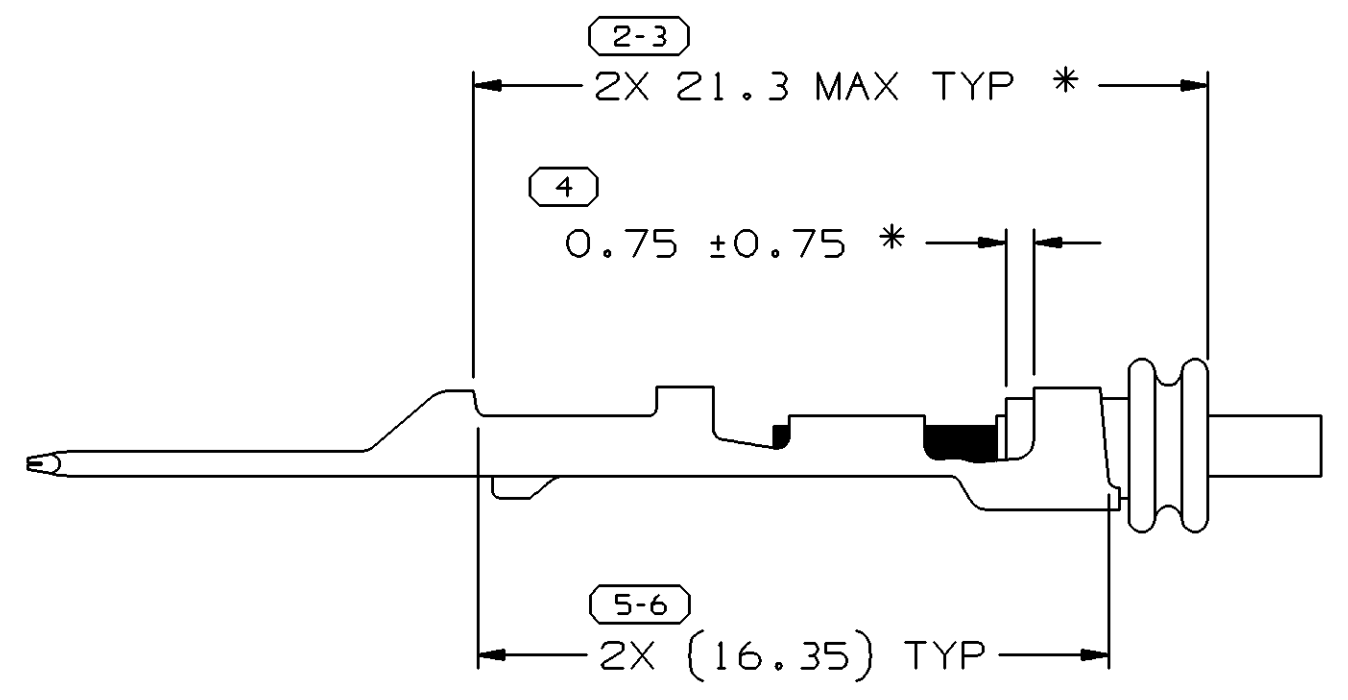
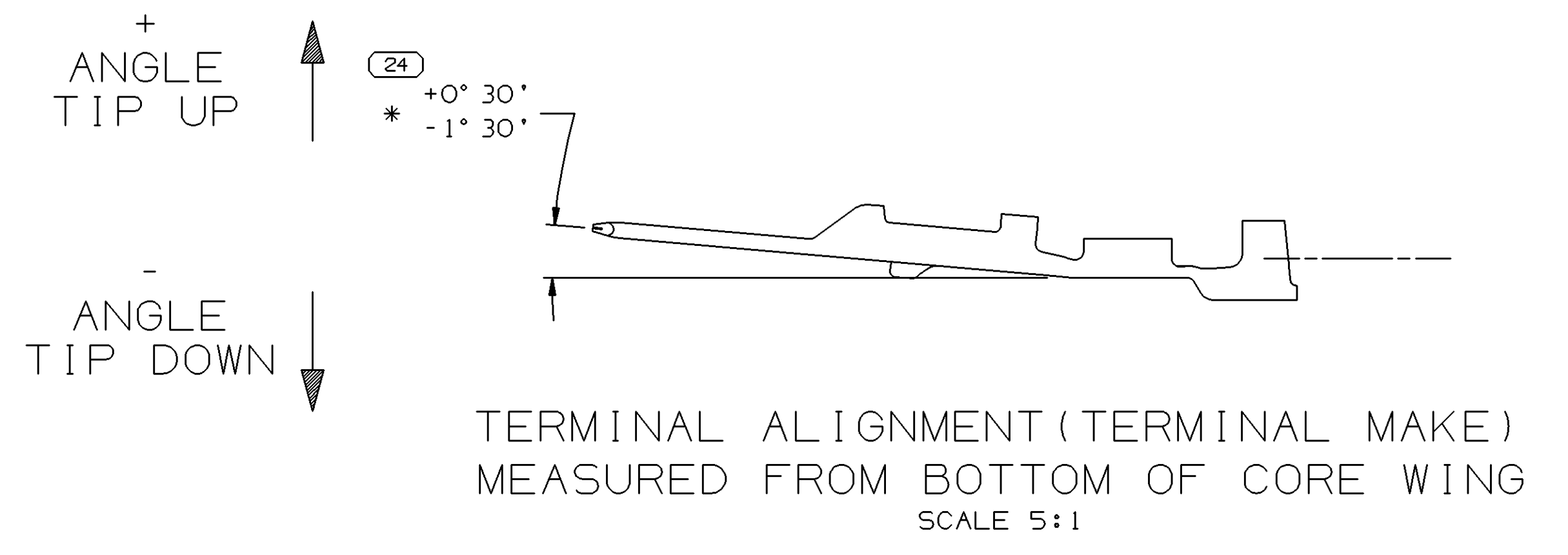
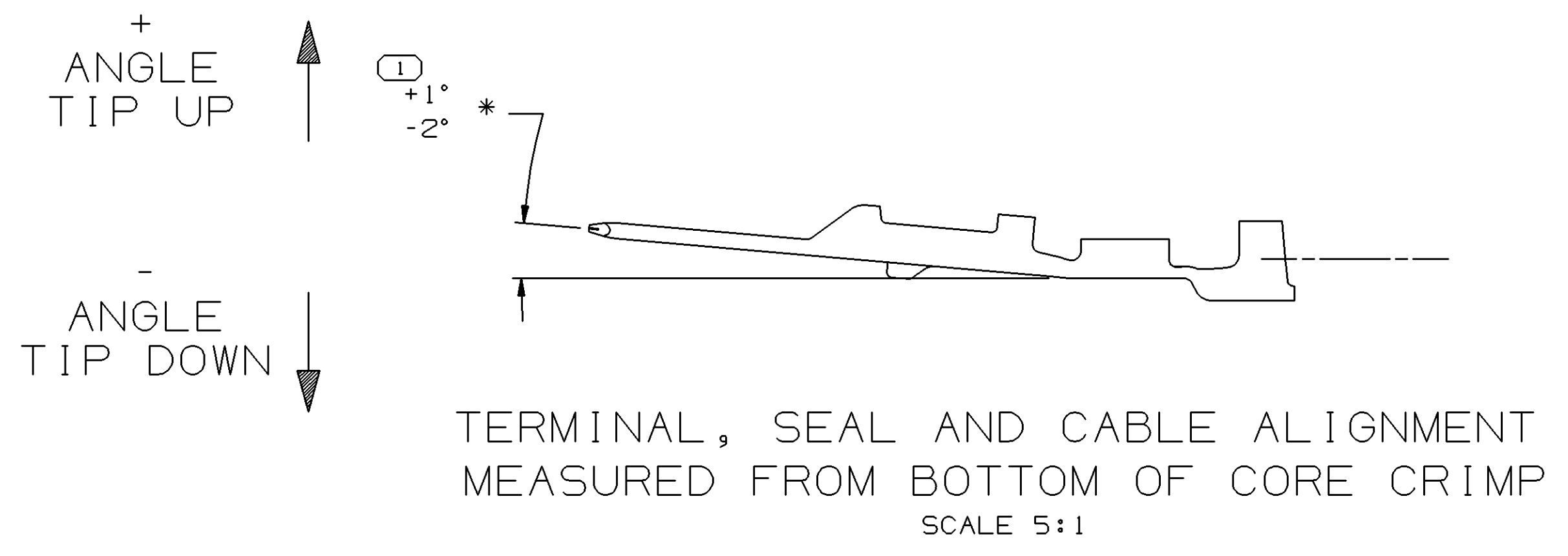
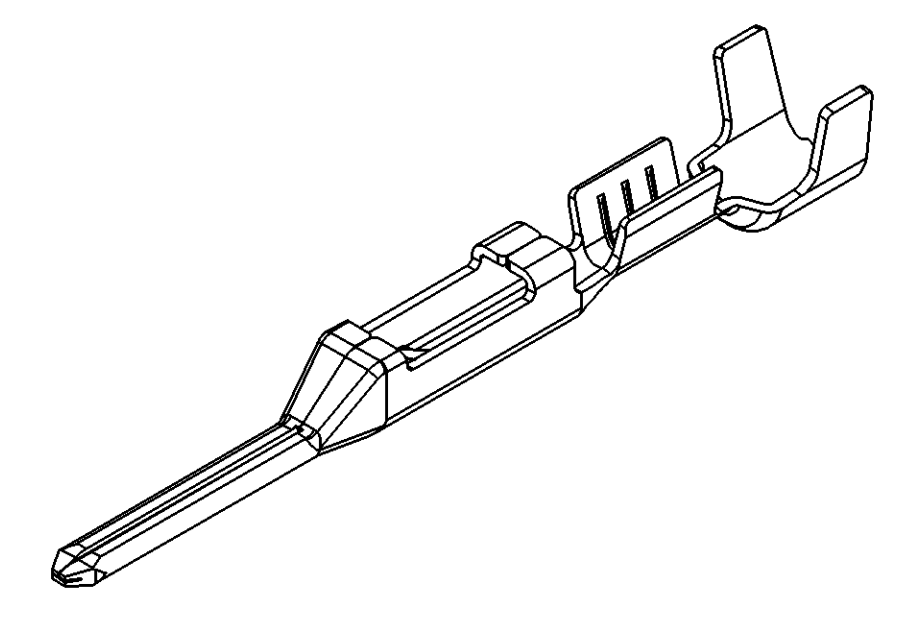
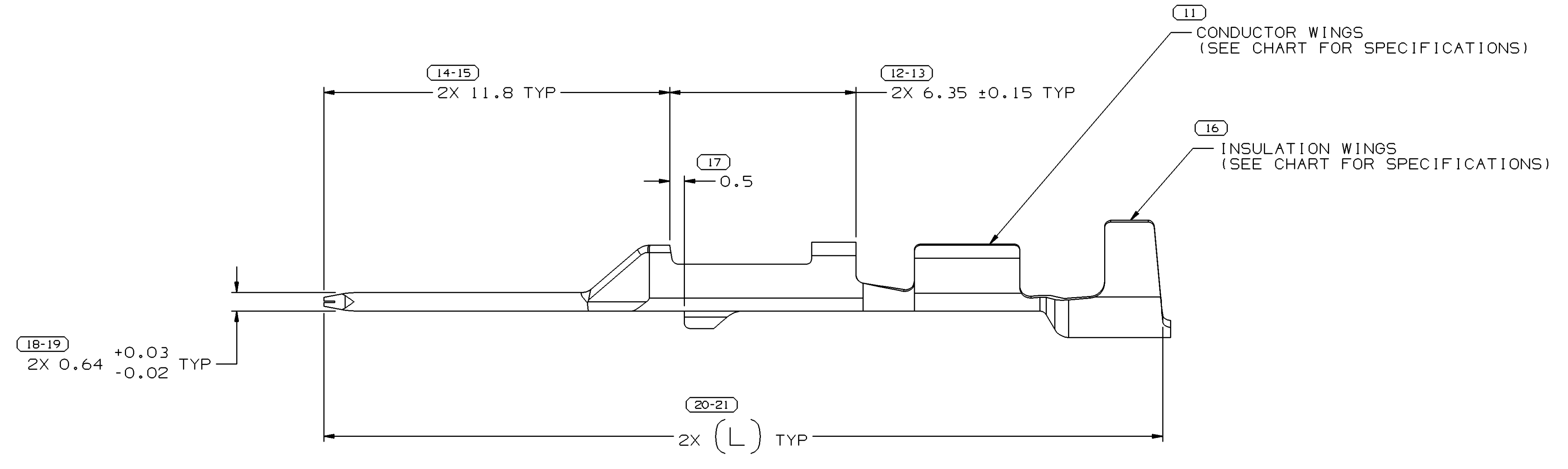
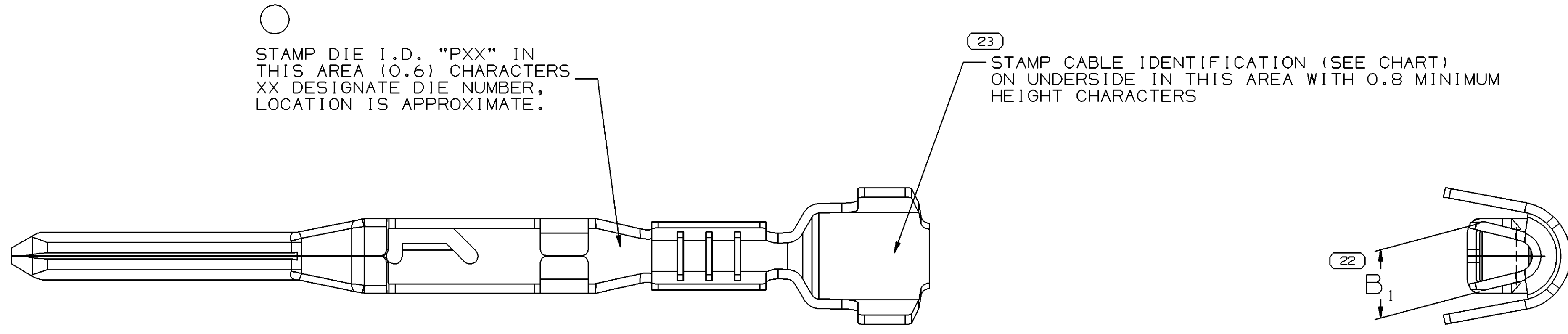
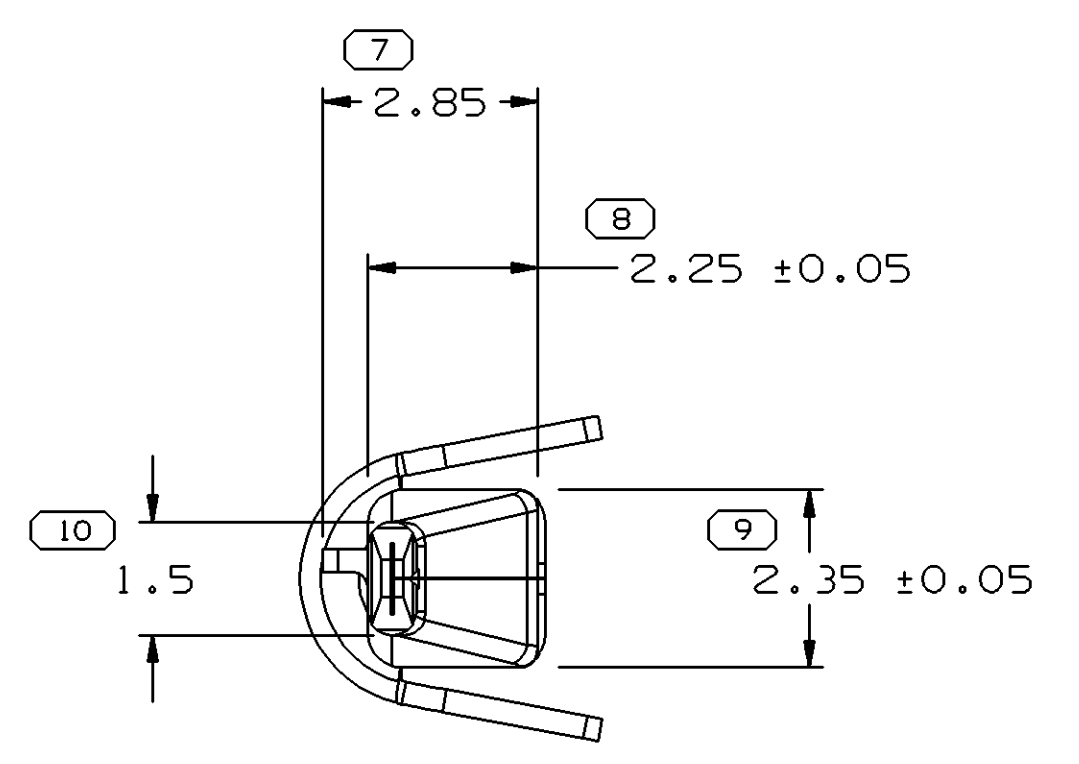


SYMBOL DEFINITION		MISSING NUMBERS		DWO STATUS				REVISION HISTORY				AUTH	DR	APVD	APVD
DATE	STG	REV	N/P	CHO	ZONE	DATE	STG	REV	N/P	CHO	ZONE				
30JUL02	R	05	-	-	-							226419	ECB	JAA	TTP
21JUL03	R	06	-	-	-							242518	BRB	BRB	MC
040C04	R	07	-	-	-							259308	JPB	JVM	MKM



TWO RIB SEAL POSITION REFERENCE
SCALE 5:1



VIEW SCALE DOES NOT REFLECT ACTUAL PART SIZE

- NOTES
- UNLESS OTHERWISE SPECIFIED AND/OR INDICATED: DIMENSIONS ARE TO FACE OF VIEW SHOWN AND AUTOMATICALLY ROUNDED BY COMPUTER FOR INSPECTION. (SEE MATH MODEL FOR PRECISE DIMENSIONS.) FOR ALL OTHER DIMENSIONS NOT SHOWN BUT REQUIRED FOR TOOL BUILD, SEE MATH MODEL FOR PRECISE TOOL PATH DATA.
 - "*" DENOTES DIMENSIONS MADE AT CUT-OFF AND CRIMP DIE.
 - MATING COMPONENTS OR EQUIVALENT: TERMINAL 15326426.

PART NO	REV	N/P	STATUS	TYPE	MAT'L SIZE	MAT'L SPEC	SIZE (MM ²)	ID	Ø ± 0.15	B _{10.2}	(L)	APPLICATION	TYPICAL CABLE SEAL	TYPICAL SEALING CAVITY CONFIG
15373403	02	AE		302	0.3 X 36.12	M3749-GN1 425 TIN BRS EX HD GOLD	0.75 - 1	17	2.25 - 1.7	2.65	28.15	SEALED (GT)	12191227 OR EQUIV.	Ø 4 ROUND
15373402	02	AE		301	0.3 X 36.12	M3749-GN1 425 TIN BRS EX HD GOLD	0.35 - 0.5	21	1.85 - 1.2	2.1	28.15	SEALED (GT)	12191226 OR EQUIV.	Ø 4 ROUND

DWO TYPE		PART DRAWING	
STYLE	D		
VOLUME (CM ³)	DISTR CODE		
UNLESS OTHERWISE SPECIFIED			
THIS DOCUMENT IS IN ACCORDANCE WITH ASME Y14.5M-1994 AS AMENDED BY THE 2003 DIMENSIONING AND TOLERANCING ADDENDUM - 1997. ALL GEOMETRIC TOLERANCES AND RELATED DATUM APPLIES TO ALL DIMENSIONS UNLESS OTHERWISE SPECIFIED.			
MDCI DOES NOT APPLY WHEN RELATIONSHIP BETWEEN FEATURES IS ESTABLISHED BY ORIENTATION OR LOCATION TOLERANCES. SEPARATE POSITION DATUMS MAY BE OBTAINED SEPARATELY, REGARDLESS OF DATUM REFERENCE.			
ALL DIMENSIONS ARE IN MILLIMETERS			
DIMENSIONAL RANGE (MM)		CHART D5	THIRD ANGLE PROJECTION
FROM	TO	>12	DO NOT SCALE
0	15	±0.1	USE MATH DATA
15	30	±0.2	
30	100	±0.5	
100	1000	±1.0	
ANGULAR TOLERANCE ±2°			

DELPHI
DELPHI PACKARD ELECTRIC SYSTEMS
WARREN, OH

DR	DATE
APVD1 JOSE TAPIA	30NOV99
APVD2 RAUL MOYSEN	06DEC99
APVD3 MIKE J. DEMONICA	13DEC99
APVD4	
APVD5	

SUBSTANCES OF CONCERN AND RECYCLED CONTENT PER DELPHI 10949001

MATERIAL SEC CHART

DRAWING NAME
TAXI TERM M GT 150 SEALED

DRAWING NUMBER
15304703

SIZE A0 SCALE 10:1 FRAME NO 1 OF 1 SHEET NO 3 OF 3 REV N/P R 07

Mouser Electronics

Authorized Distributor

Click to View Pricing, Inventory, Delivery & Lifecycle Information:

[Aptiv:](#)

[15373402](#)