

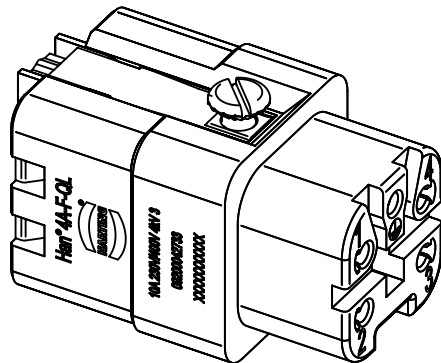
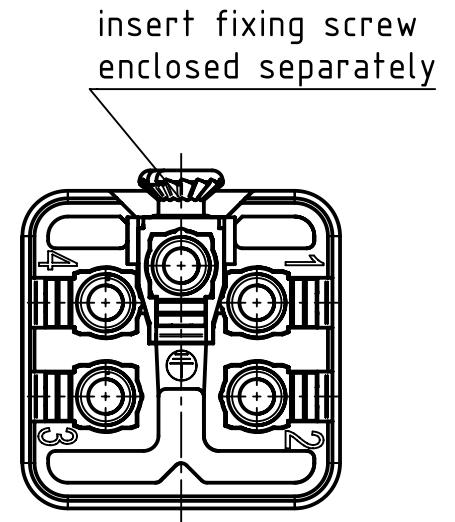
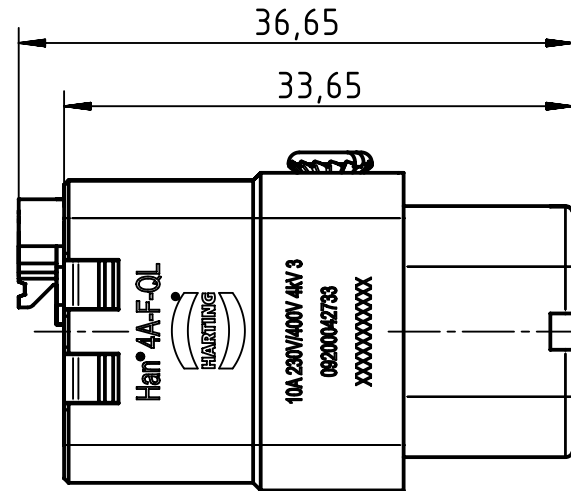
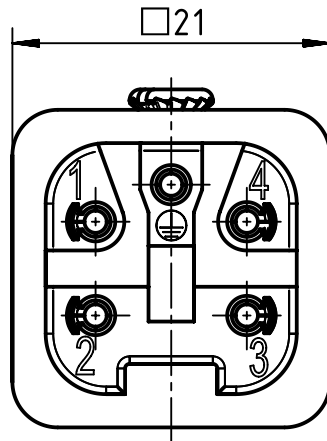
1 2 3 4 5 6

A

B

C

D



	All Dimensions in mm Original Size DIN A4		Scale 2:1	Free size tol.		Ref.
			Created by FINKEV	Inspected by BERGHORN	Standardisation TIEMANNA	Sub.
All rights reserved Department EL PD - DE		Title Han 4A-F-QL		Date 2015-06-29	State Final Release	
HARTING Electric GmbH & Co. KG D-32339 Espelkamp		Type TB		Number 09 20 004 2733		Doc-Key / ECM-Nr. 100133436/UGD/008/A 500000090699
					Rev. A	Page 1/1

Mouser Electronics

Authorized Distributor

Click to View Pricing, Inventory, Delivery & Lifecycle Information:

[HARTING:](#)

[09200042733](#)