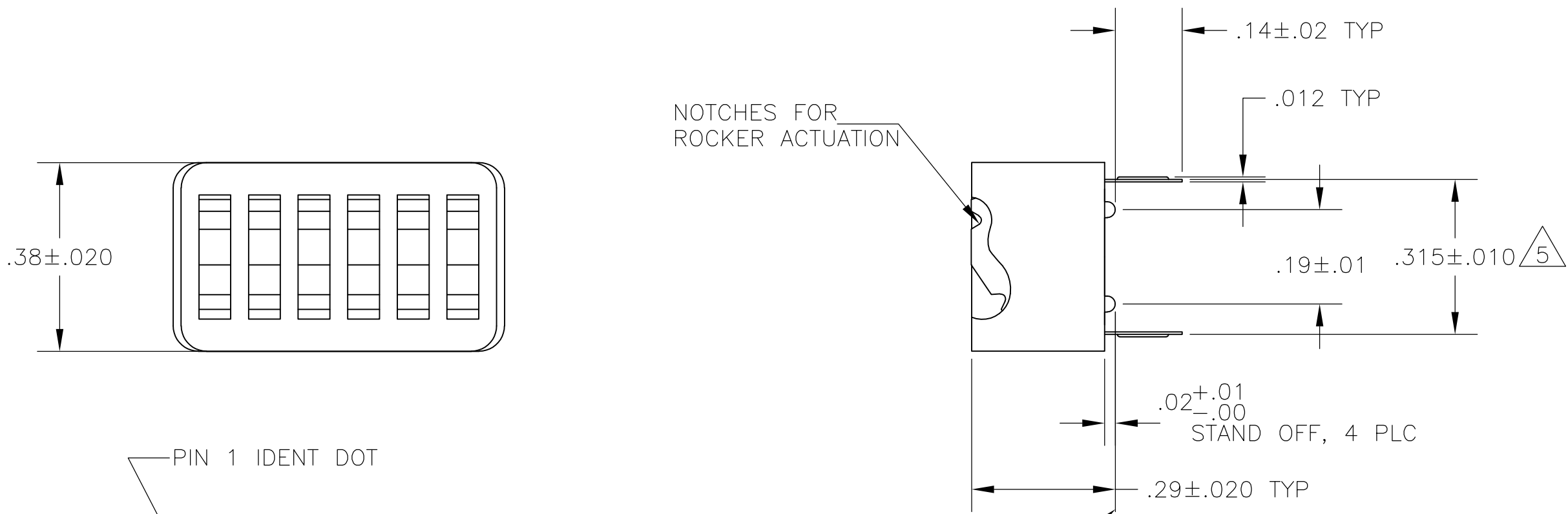
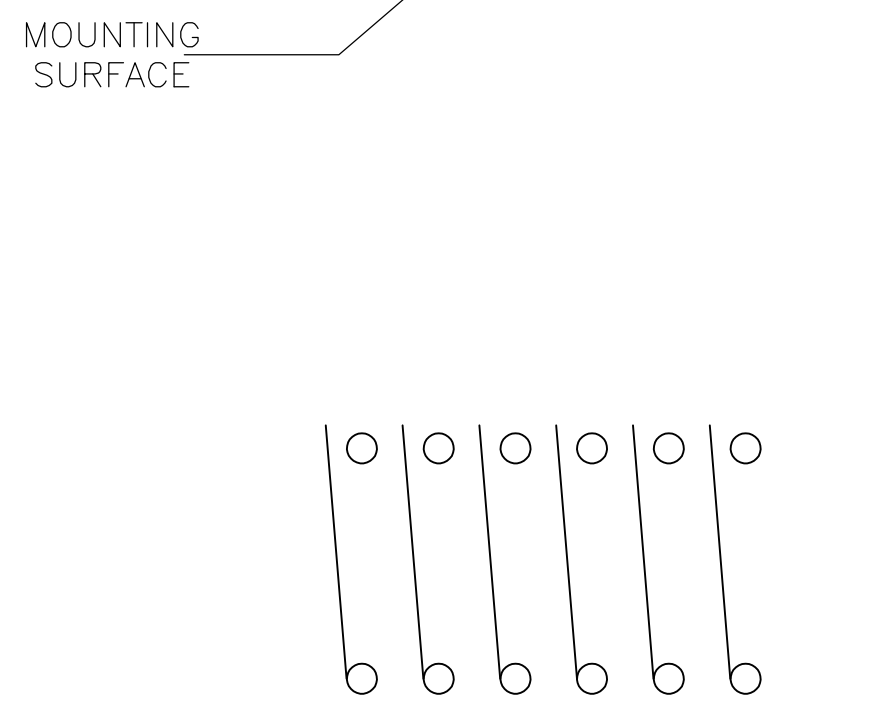
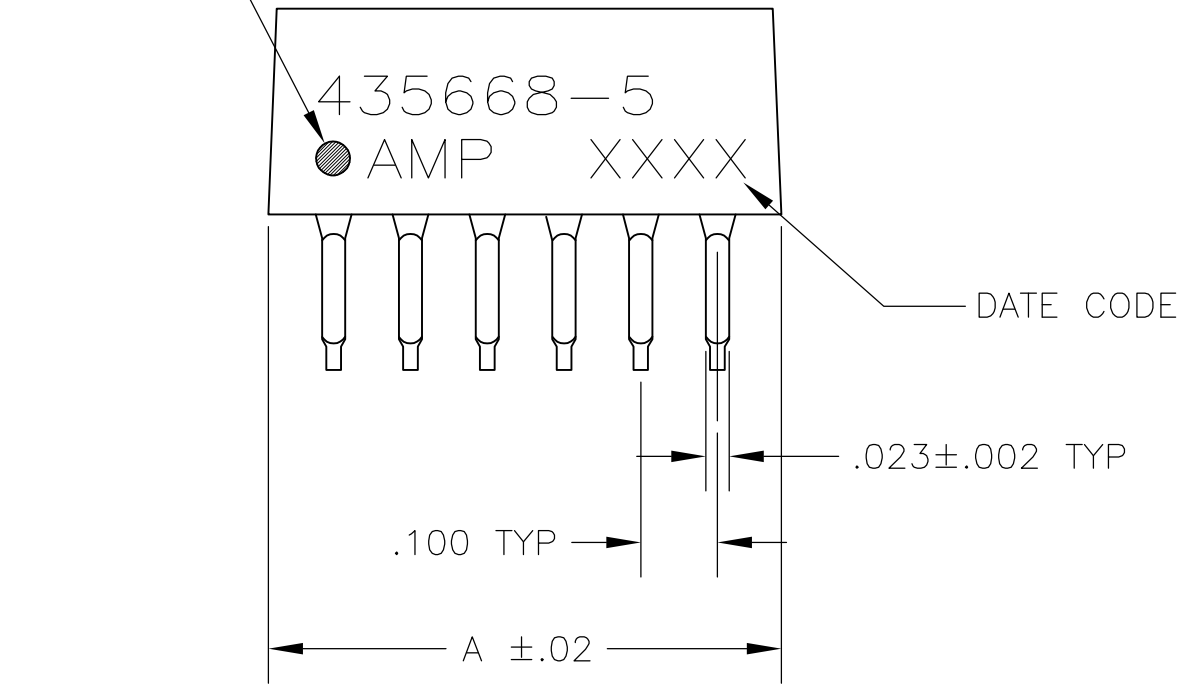


THIS DRAWING IS UNPUBLISHED. RELEASED FOR PUBLICATION
 © COPYRIGHT - By - ALL RIGHTS RESERVED.

LOC		DIST		REVISIONS			
P	LTR	DESCRIPTION	DATE	DWN	APVD		
AD	00	AM2	REVISD PER ECO-11-004587	11MAR11	RK	HMR	



- FOR ADDITIONAL SPECIFICATIONS SEE AMP PRODUCT SPEC 108-7532.
 - SWITCH SHOWN IN OPEN POSITION.
 - ALL CHARACTERS AND ROCKERS ARE WHITE, HOUSING IS BLUE.
 - STAMPING WILL VARY ON 2 AND 3 POSITION SIDES DUE TO SPACE RESTRICTIONS.
- △5 .315 DIMENSION APPLIES AT TERMINAL TIPS. TERMINALS ARE $.300^{+.010}_{-.000}$ AT MOUNTING SURFACE.
- △6 OBSOLETE PARTS: OBSOLETE CIS STREAMLINING PER D.RENAUD/D.SINISI



CONTACT ARRANGEMENT

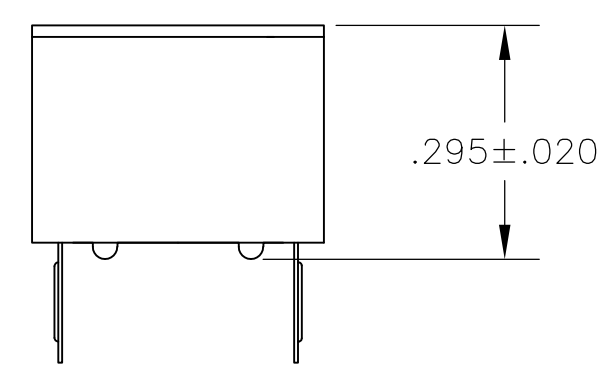
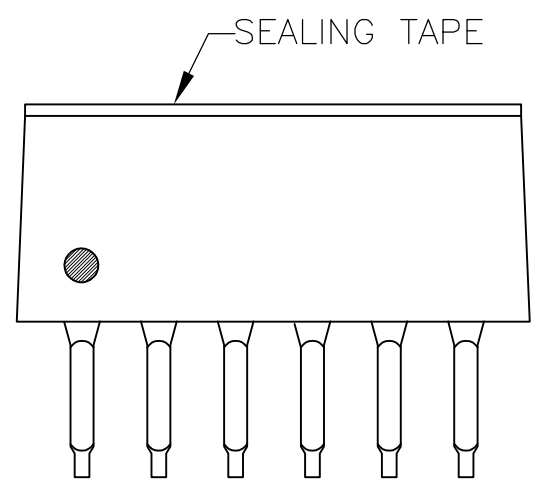


FIG1

435668-5 SHOWN

FIG	DESCRIPTION	NO OF POSN	PART NO
△6	OBSOLETE	5	8-435668-7
	OBSOLETE	12	8-435668-6
	OBSOLETE	6	8-435668-5
	OBSOLETE	4	8-435668-3
	OBSOLETE	4	8-435668-0
	OBSOLETE	5	3-435668-5
	OBSOLETE	4	3-435668-4
	OBSOLETE	3	3-435668-3
	OBSOLETE	12	3-435668-2
	OBSOLETE	11	3-435668-1
	OBSOLETE	10	3-435668-0
	OBSOLETE	9	2-435668-9
	OBSOLETE	8	2-435668-8
	OBSOLETE	7	2-435668-7
	OBSOLETE	2	2-435668-6
	OBSOLETE	6	2-435668-5
	OBSOLETE	12	1-435668-1
	OBSOLETE	10	435668-9
	OBSOLETE	9	435668-8
	OBSOLETE	8	435668-7
	OBSOLETE	7	435668-6
	OBSOLETE	6	435668-5
	OBSOLETE	5	435668-4
	OBSOLETE	4	435668-3
	OBSOLETE	3	435668-2
	OBSOLETE	2	435668-1

DIMENSIONS:		TOLERANCES UNLESS OTHERWISE SPECIFIED:		FINISH:		MATERIAL:		MARKING		SEALING TAPE		NO OF POSN		PART NO	
INCHES		0 PLC	± -	0	PLATED .00030 MIN	02JAN90	R.TALLEY	A2	00779	C=435668	4	1	2	AM2	
		1 PLC	± -	1	GOLD IN CONTACT AREA OVER .00050 MIN NICKEL	03JAN90	R.MILLER								
		2 PLC	± -	2		03JAN90	H.LEITER								
		3 PLC	± .005	3											
		4 PLC	± -	4											
		ANGLES	± -												

THIS DRAWING IS UNPUBLISHED. RELEASED FOR PUBLICATION
 © COPYRIGHT - By - ALL RIGHTS RESERVED.

LOC	DIST	REVISIONS					
AD	00	P	LTR	DESCRIPTION	DATE	DWN	APVD
		-	-	SEE SHEET 1	-	-	-

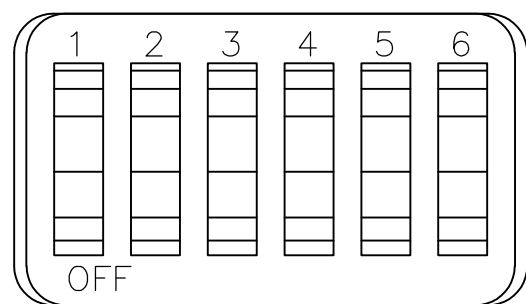


FIG 2

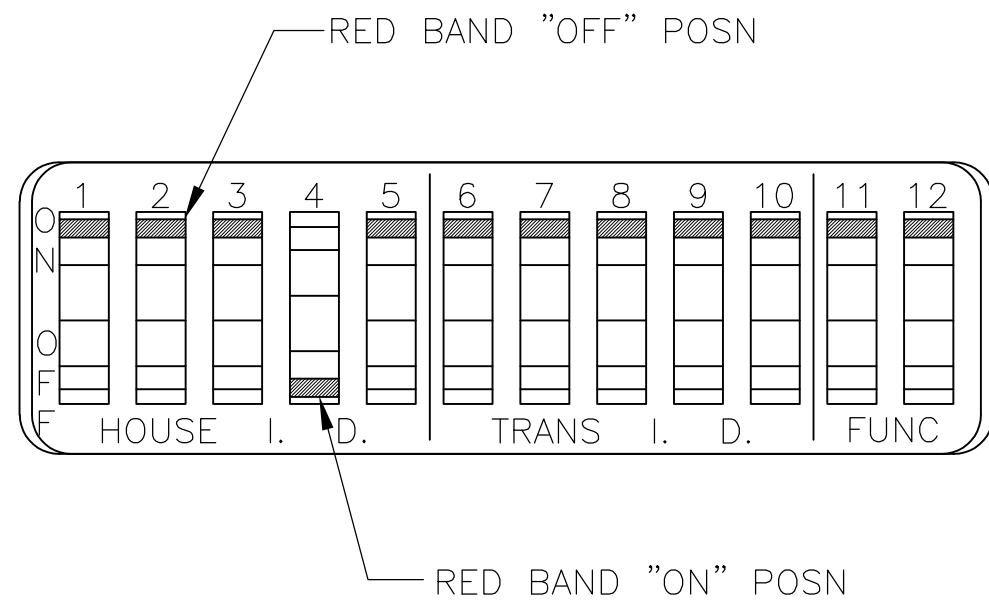


FIG 5

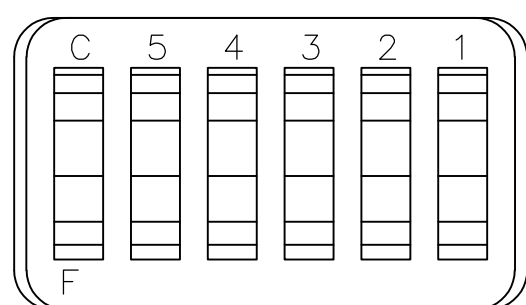


FIG 3

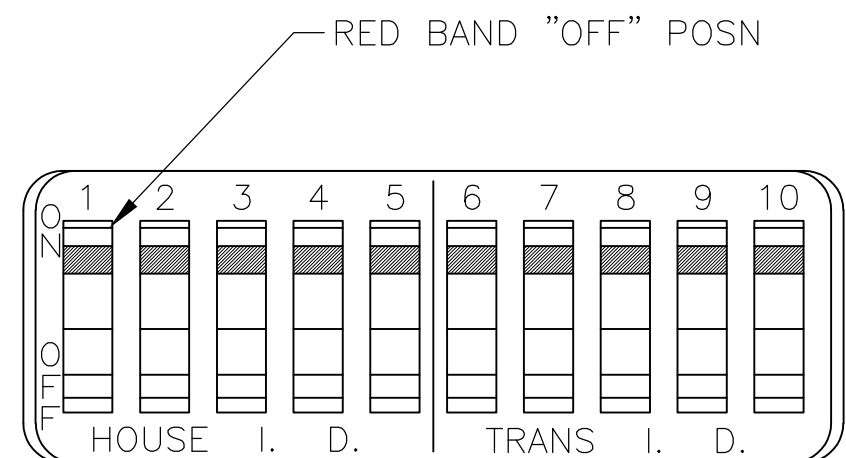


FIG 6

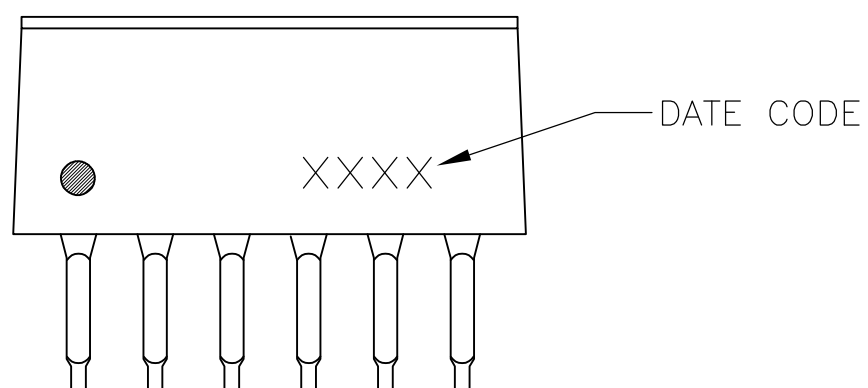


FIG 4

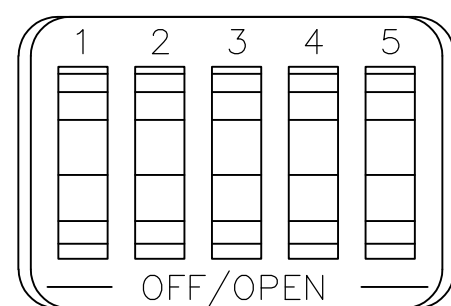


FIG 7

THIS DRAWING IS A CONTROLLED DOCUMENT.		DWN R.TALLEY 02JAN90		
DIMENSIONS: INCHES		CHK R.MILLER 03JAN90		
TOLERANCES UNLESS OTHERWISE SPECIFIED:		APVD H.LEITER 03JAN90	NAME SWITCH ASSY, DIP, TYPE C, 7100 SERIES, SPST, LOW PROFILE	
		PRODUCT SPEC -	SIZE A2	
MATERIAL		APPLICATION SPEC -	CAGE CODE 00779	DRAWING NO C=435668
FINISH		WEIGHT -	SCALE 4:1	SHEET 2 of 2
		CUSTOMER DRAWING	REV AM2	RESTRICTED TO -

Mouser Electronics

Authorized Distributor

Click to View Pricing, Inventory, Delivery & Lifecycle Information:

[TE Connectivity:](#)

[3-435668-3](#)