

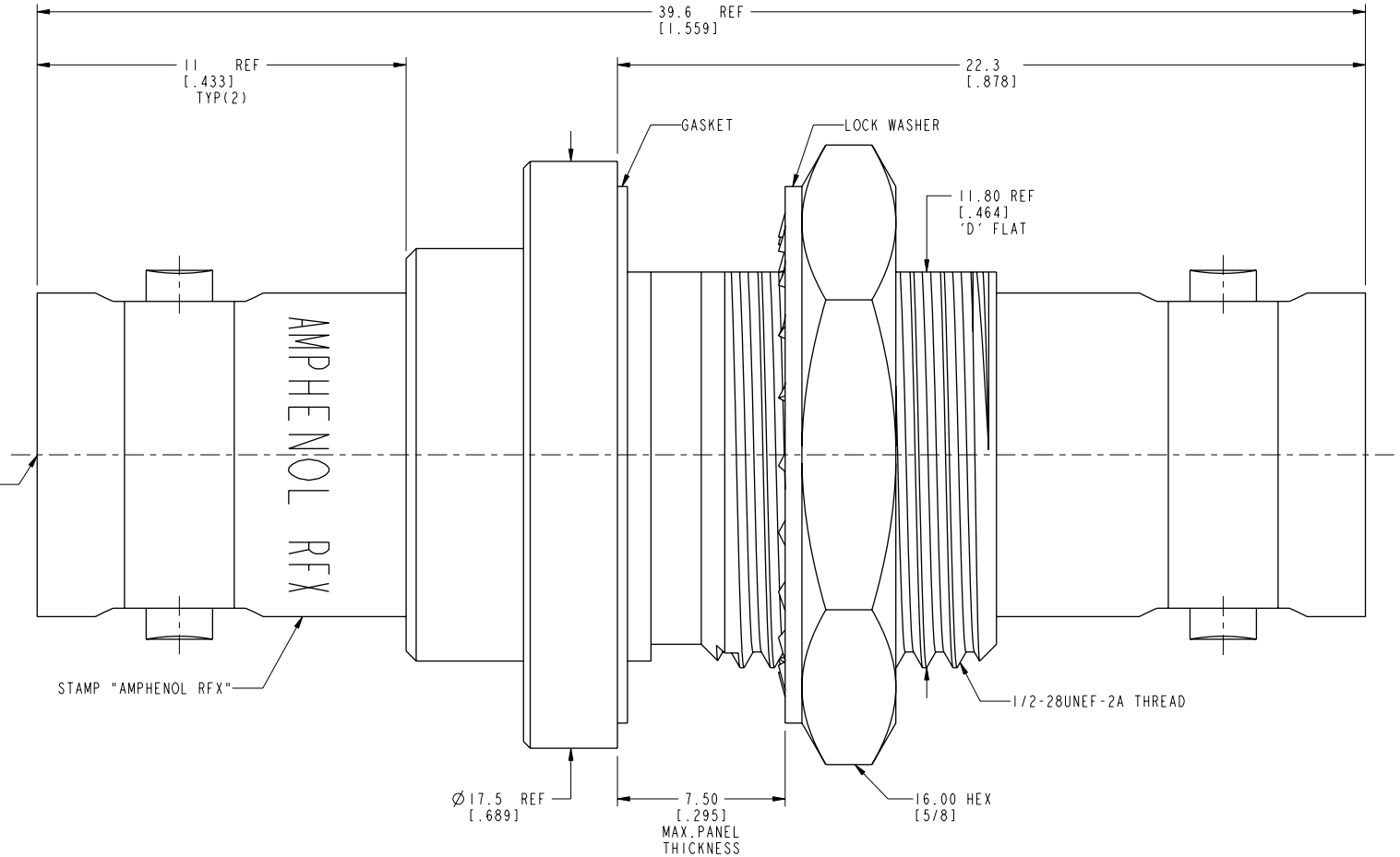
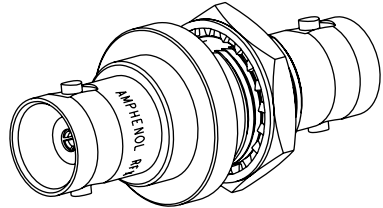
NOTES:

1. MATERIALS AND FINISHES:
 BODIES, HEX NUT, LOCK WASHER - BRASS, NICKEL PLATING
 CONTACT - PHOSPHOR BRONZE, GOLD PLATING
 INSULATOR - DELRIN, NATURAL
 GASKET - RUBBER, RED
2. ELECTRICAL:
 A. IMPEDANCE: 50 OHM
3. MECHANICAL:
 A. DURABILITY: 500 CYCLES MIN.
 B. TEMPERATURE RANGE: -65° C TO +165° C
4. PACKAGING:
 A. QUANTITY: SINGLE PACK
 B. MARKING: BAG TO BE MARKED
 "AMPHENOL RF, 31-220G-RFX, AND DATE CODE"

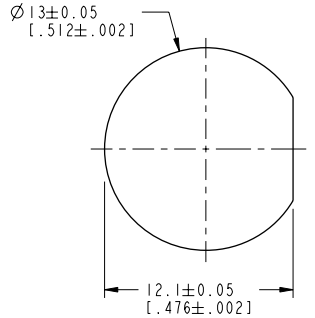
THIRD ANGLE PROJ.

REVISIONS

REV	DESCRIPTION	DATE	ECO	APPR
A	RELEASE TO MFG.	---	---	---
B	REDRAWN IN PRO-E, ADD THIS SHEET	09-Jul-14	49949	SH



INTERFACE PER MIL-STD-348
 SERIES: BNC JACK
 50 OHM
 TYP(2)



RECOMMENDED MOUNTING HOLE DIMENSIONS

CUSTOMER OUTLINE DRAWING
 ALL OTHER SHEETS ARE FOR INTERNAL USE ONLY

UNLESS OTHERWISE SPECIFIED, DIMENSIONS ARE IN INCHES AND TOLERANCES ARE: 2 PLACE DECIMAL 3 PLACE DECIMAL ANGLES ±.015 (0.381 mm) ±.005 (0.127 mm) ± 1° NOTICE - These drawings, specifications, or other data (1) are, and remain the property of Amphenol corp. (2) must be returned upon request; and (3) are confidential and not to be disclosed to any person other than those to whom they are given by Amphenol Corp. the furnishing of these drawings, specifications, or other data by Amphenol Corp., or to any other person to anyone for any purpose is not to be regarded by implication or otherwise in any manner licensing, granting rights to permitting such holder or any other person to manufacture, use or sell any product, process or design, patented or otherwise, that may in any way be related to or disclosed by said drawings, specifications, or other data.	MATERIAL	DRAWN	DATE	TITLE	Amphenol RF www.amphenolrf.com	
	SEE NOTES	M. DONG	02-Jul-14			BNC JACK TO JACK BULKHEAD ADAPTOR
	REFERENCE	APPROVED	DATE	SCALE: 7.0:1.0	SHEET 2 OF 2	DRAWING NO. B7471A1-ND3G-50
	EAR # 962370-0	S. HSIEH	09-Jul-14	B	B	ITEM NO. 017471AAA00ND5F
CONFIGURATION LEVEL: □□□□	CAD FILE				PART NO. 31-220G-RFX	
FINISH						