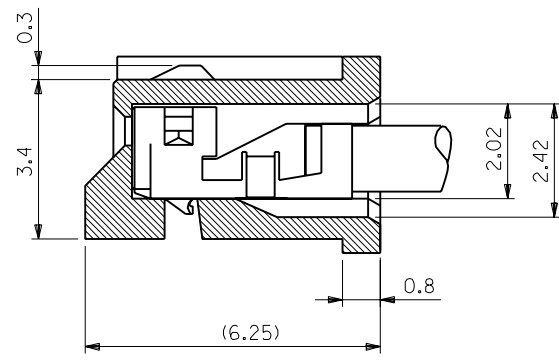
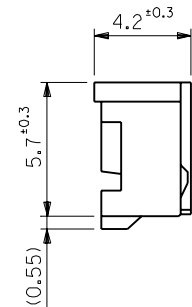
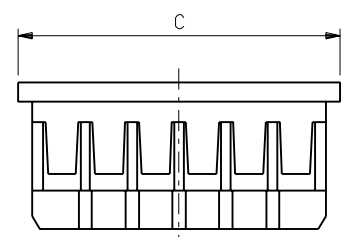
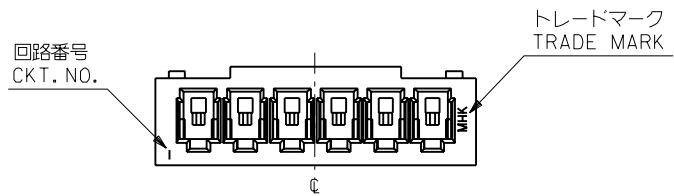
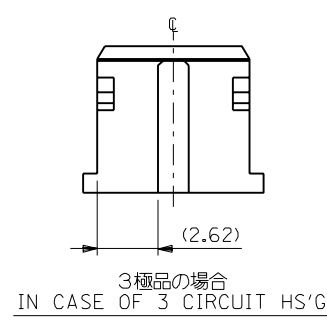
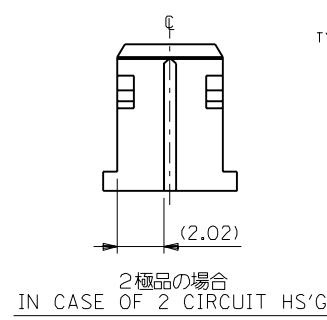
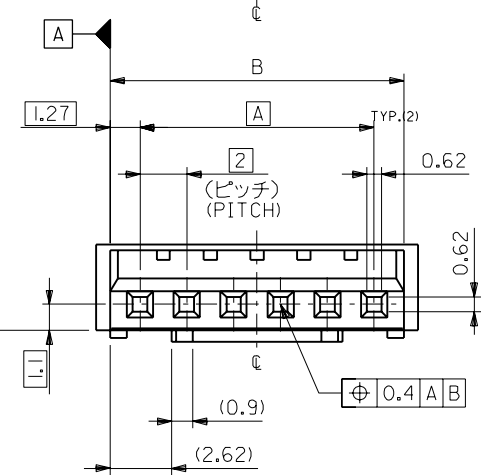


DWG. NO. SD-87369-***00

MM DIMENSIONS IN METRIC DO NOT SCALE DRAWING



ターミナル装着状態図
TERMINAL ASSEMBLY DRAWING
(SCALE 10:1)



33.74	32.54	30	87369-1600	16
31.74	30.54	28	87369-1500	15
29.74	28.54	26	87369-1400	14
27.74	26.54	24	87369-1300	13
25.74	24.54	22	87369-1200	12
23.74	22.54	20	87369-1100	11
21.74	20.54	18	87369-1000	10
19.74	18.54	16	87369-0900	9
17.74	16.54	14	87369-0800	8
15.74	14.54	12	87369-0700	7
13.74	12.54	10	87369-0600	6
11.74	10.54	8	87369-0500	5
9.74	8.54	6	87369-0400	4
7.74	6.54	4	87369-0300	3
5.74	4.54	2	87369-0200	2
C	B	A	ENG NO.	CKT

注記 NOTES

- 適合ターミナル: 50212-8*00
APPLICABLE TERMINAL: 50212-8*00
- 材質: ナイロン66, UL94V-0 自然色
MATERIAL: NYLON66, UL94V-0 NATURAL
- 嵌合相手: JST PH コネクタ
MATES WITH: JST PH CONNECTOR
- 一般公差: ±0.2
GENERAL TOLERANCE: ±0.2

角度 ANGLE	±0.1				
30以上 OVER	+0.3				
10以上 30未満 UNDER	+0.25				
10未満 UNDER	+0.2				
一般公差 GENERAL TOLERANCES	±0.2				
記号 LTR	B	新規作成 RELEASED (J31134)	H.H	93/11/05	
変更内容 REVISION RECORD			DR. CHK.	日付 DATE	

材料 MATERIAL	注記参照 SEE NOTES
仕上げ FINISH	—
適用電線範囲 WIRE RANGE	—
被覆外径 INS. RANGE	—
DRAWN BY '93/11/05 H.HASEGAWA	CHK'D BY '93/11/05 H.HIRAMOTO
APP'D BY '93/11/05 M.FUKUSHIMA	尺度 SCALE 5:1

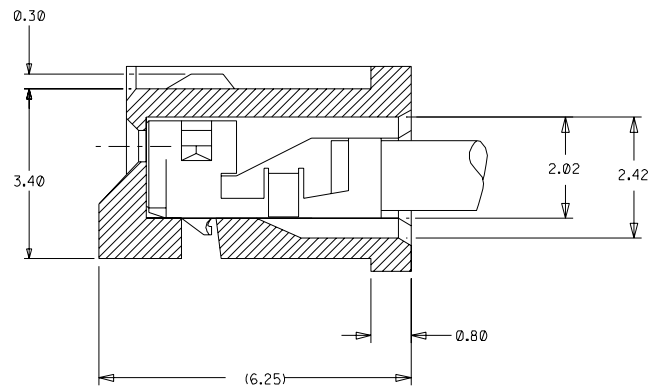
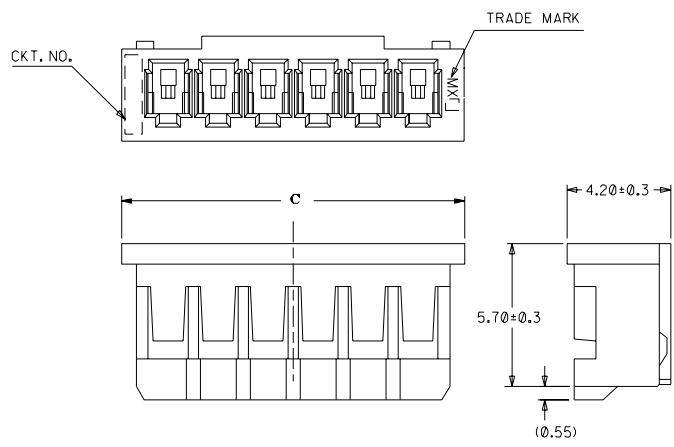
MOLEX-JAPAN CO.,LTD. 日本モレックス株式会社	
REVISE ONLY ON CAD SYSTEM	
TITLE 名称 2.0 MM PITCH WIRE TO BOARD CONN. RECEPTACLE	
DWG. NO. SD-87369-***00	REV B

DWG. NO. SD 87369-**-00

CAD FILE S87369.DGN

▽

DO NOT SCALE DRAWING



TERMINAL ASSEMBLY DRAWING
(10:1)

PART NO.LEGEND

87369 - ** 0 *

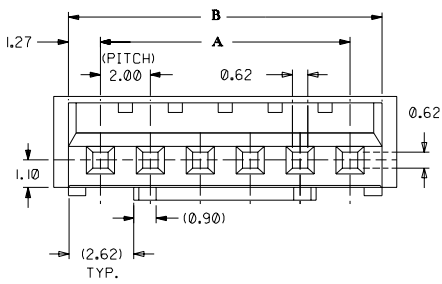
CKT SIZE ——— COLOR OPTION

- 0 - NATURAL
- 1 - BLACK
- 2 - RED
- 3 - YELLOW
- 4 - BLUE
- 5 - GREEN

NOTES

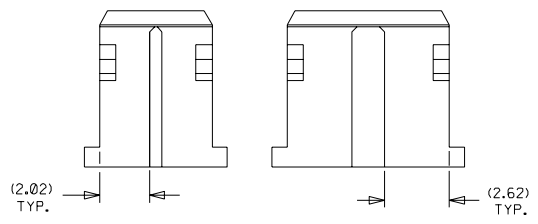
1. APPLICABLE TERMINAL :50212-8*00
2. MATERIAL : NYLON 66, UL94V-0 NATURAL
3. MATES WITH 89400-**-10/**20 & 89401-**-10

33.74	32.54	30	87369-160*	16
31.74	30.54	28	87369-150*	15
29.74	28.54	26	87369-140*	14
27.74	26.54	24	87369-130*	13
25.74	24.54	22	87369-120*	12
23.74	22.54	20	87369-110*	11
21.74	20.54	18	87369-100*	10
19.74	18.54	16	87369-090*	9
17.74	16.54	14	87369-080*	8
15.74	14.54	12	87369-070*	7
13.74	12.54	10	87369-060*	6
11.74	10.54	8	87369-050*	5
9.74	8.54	6	87369-040*	4
7.74	6.54	4	87369-030*	3
5.74	4.54	2	87369-020*	2
C	B	A	ENG NO.	CKT



**IN CASE OF
2 CIRCUIT HSG.**

**IN CASE OF
3 CIRCUIT HSG.**



UNITS : MM

				MATERIAL : SEE NOTES		MOLEX SINGAPORE PTE LTD SHEET 1 OF 1	
B5	REVISE PART NO. LEGEND & NOTE 3 PER ECN 1999-0061	-	SAK	980814	GENERAL TOLERANCES ± 0.20/0.008		
B4	REL 87369-**-05 (GREEN) AS PER PDR* 98-06-0330 (AS PER ECN* S1998-0617)	-	SEE TOH	980623	DWG. NO.: SD 87369-**-0*		
B3	ADD COLOR OPTION REPLACE SD-87369-**-0*	S60565	SAK	GMS	960618	TITLE : 2.0 MM PITCH WIRE TO BOARD CONN. RECEPTACLE	
LTR	REVISION RECORD	ECN	DR	CHK	DATE	DRAWN BY CLEE 920305 APPR'D BY ROY 920326 CHK'D BY JOEY 920326 SCALE 5:1	
REVISE ONLY ON CAD SYSTEM							