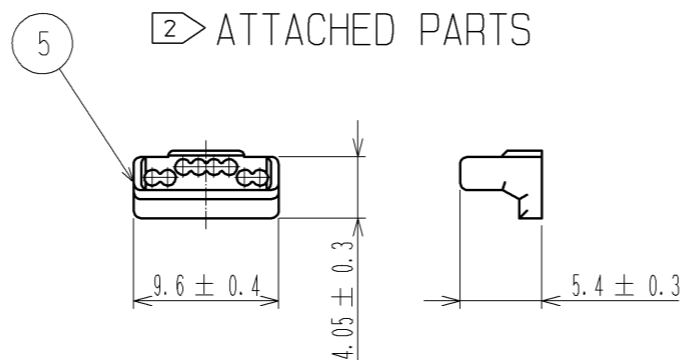
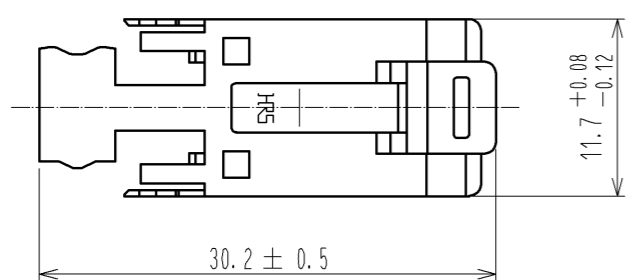
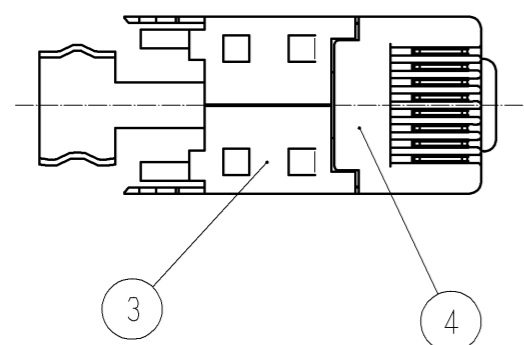
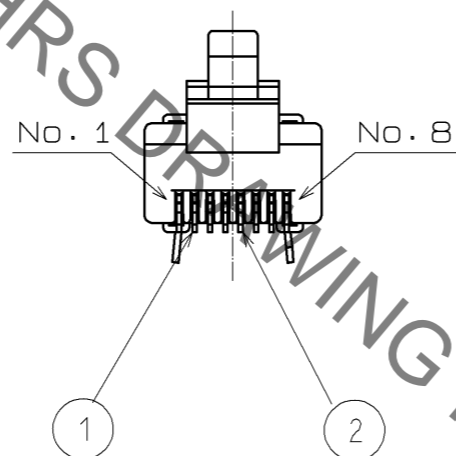
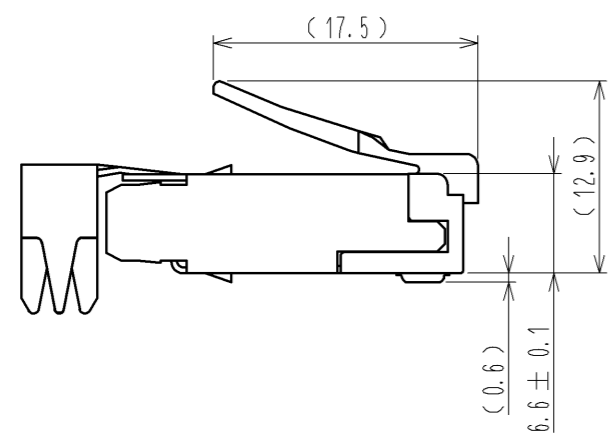


Mar.1.2020 Copyright 2020 HIROSE ELECTRIC CO., LTD. All Rights Reserved.
In case of consideration for using Automotive equipment / device which demand high reliability, kindly contact our sales window correspondents.



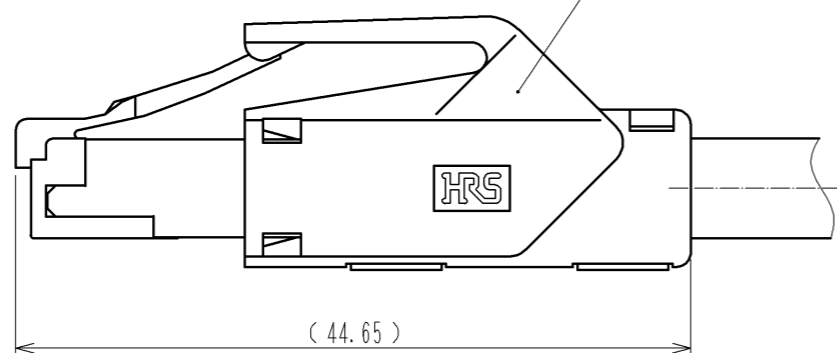
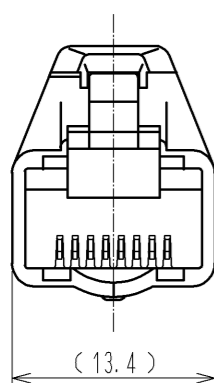
① TABLE-1

APPLICABLE CABLE WIRE		
	CONDUCTOR	AWG#24 STRANDED WIRE ~ AWG#27 STRANDED WIRE
	INSULATOR DIAMETER	($\phi 0.9 \sim \phi 1.0$)
JACKET DIAMETER		($\phi 5.8 \sim \phi 6.0$)



⑤ CL222-2862-9-**
TM21P-88P(**)

COVER(SOLD SEPARATEIL)MATED



- NOTES
- ① APPLICABLE CABLE IS SHOWN IN TABLE-1
 - ② PLEASE USE ACCESSORY AS A GUIDE PLATE AND ASSEMBLE CONNECTOR WITH CABLE INSERTING ACCESSORY INTO CONNECTOR.
 - ③ () INDICATES THE REFERENCE DIMENSIONS.
 - ④ TO SATISFY CAT6a PERFORMANCE, PLEASE ASSEMBLE ACCORDING TO HRS INSTRUCTION. (ETAD-E2847)
 - ⑤ COLORS ARE DIFFERENT DEPENDING ON THE SPECIFICATION NUMBER.

2	PHOSPHOR BRONZE	CONTACT: GOLD PLATING 1.27 μ m MIN LEAD: GOLD PLATING 0.03 μ m MIN UNDER: NICKEL PLATING 2 μ m MIN						
1	PHOSPHOR BRONZE	CONTACT: GOLD PLATING 1.27 μ m MIN LEAD: GOLD PLATING 0.03 μ m MIN UNDER: NICKEL PLATING 2 μ m MIN	5	POLYCARBONATE	(YELLOW)UL94V-2			
			4	POLYCARBONATE	(YELLOW)UL94V-2			
			3	STAINLESS STEEL	OVER:NICKEL PLATING 0.5 μ m MIN			
NO.	MATERIAL	FINISH . REMARKS	NO.	MATERIAL	FINISH . REMARKS			
UNITS mm		SCALE 2 : 1	COUNT \triangle	DESCRIPTION OF REVISIONS		DESIGNED	CHECKED	DATE
HRS HIROSE ELECTRIC CO., LTD.		APPROVED : YH. ENAMI	09.01.26	DRAWING NO.		EDC3-126868-00		
		CHECKED : YH. ENAMI	09.01.26	PART NO.		TM31P-TM-88P		
		DESIGNED : MT. ITANO	09.01.26	CODE NO.		CL222-4626-7-00		
		DRAWN : MT. ITANO	09.01.26			\triangle 1/1		