

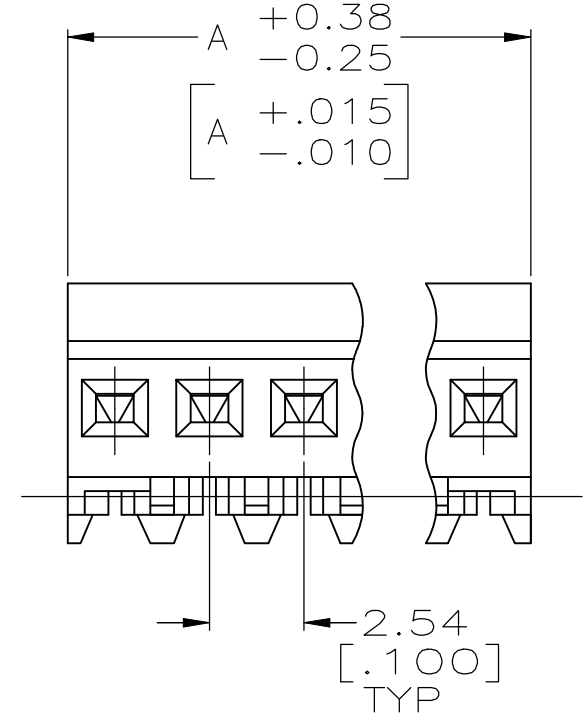
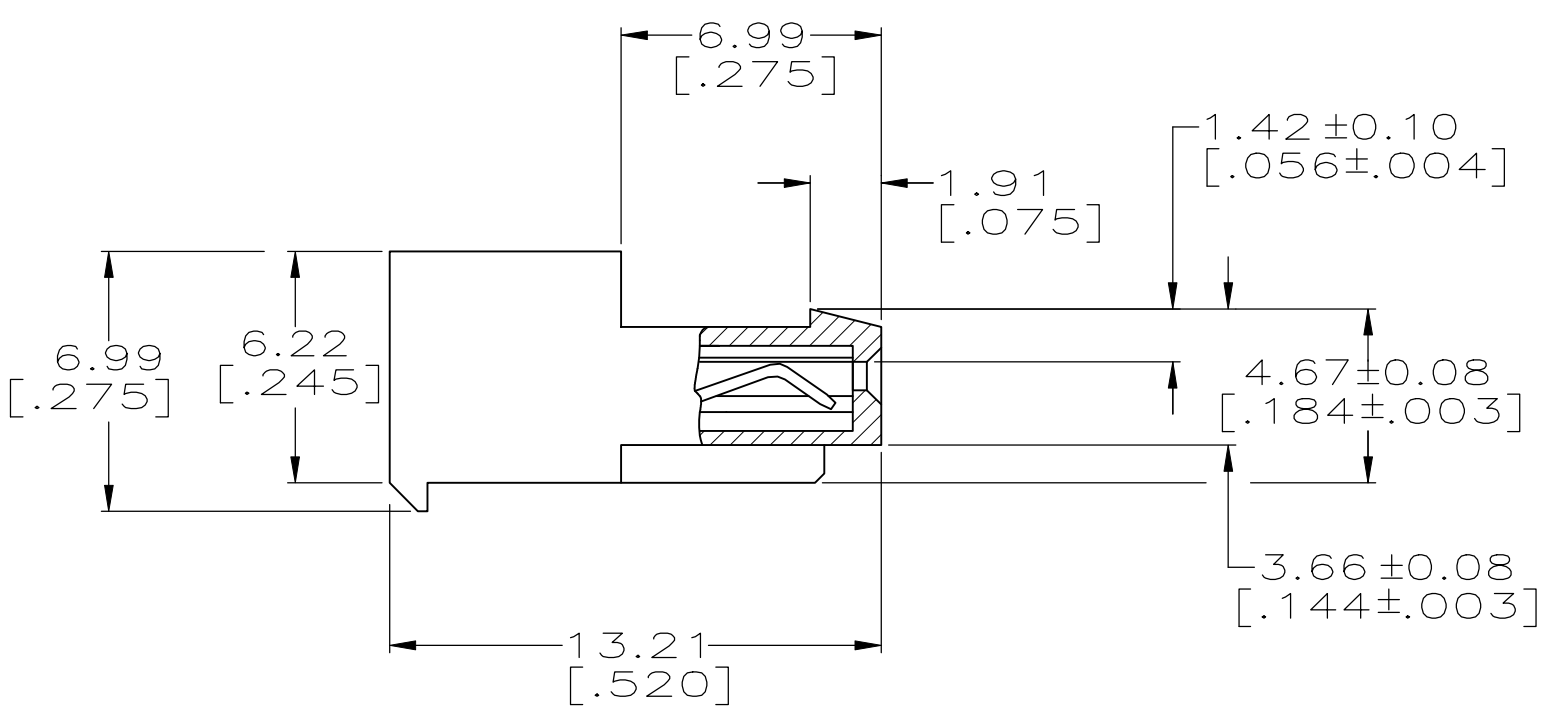
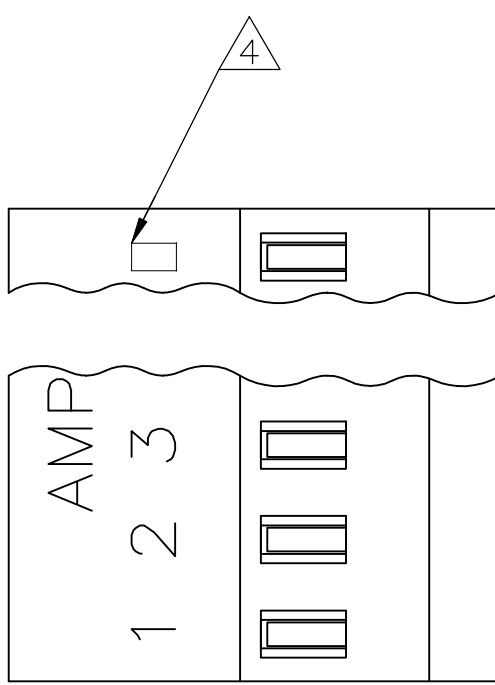
THIS DRAWING IS UNPUBLISHED. RELEASED FOR PUBLICATION  
 © COPYRIGHT - By - ALL RIGHTS RESERVED.

LOC	DIST	REVISIONS					
CM	00	P	LTR	DESCRIPTION	DATE	DWN	APVD
		N3		REVISED PER ECR-17-013141	03JAN2018	BDA	SG

YES	71.12[2.800]	28	5-640440-8
YES	68.58[2.700]	27	5-640440-7
YES	66.04[2.600]	26	5-640440-6
YES	63.50[2.500]	25	5-640440-5
YES	60.96[2.400]	24	5-640440-4
YES	58.42[2.300]	23	5-640440-3
YES	55.88[2.200]	22	5-640440-2
YES	53.34[2.100]	21	5-640440-1
YES	50.80[2.000]	20	5-640440-0
YES	48.26[1.900]	19	4-640440-9
YES	45.72[1.800]	18	4-640440-8
YES	43.18[1.700]	17	4-640440-7
YES	40.64[1.600]	16	4-640440-6
YES	38.10[1.500]	15	4-640440-5
YES	35.56[1.400]	14	4-640440-4
YES	33.02[1.300]	13	4-640440-3
YES	30.48[1.200]	12	4-640440-2
YES	27.94[1.100]	11	4-640440-1
YES	25.40[1.000]	10	4-640440-0
YES	22.86[.900]	9	3-640440-9
YES	20.32[.800]	8	3-640440-8
YES	17.78[.700]	7	3-640440-7
YES	15.24[.600]	6	3-640440-6
YES	12.70[.500]	5	3-640440-5
YES	10.16[.400]	4	3-640440-4
YES	7.62[.300]	3	3-640440-3
YES	5.08[.200]	2	3-640440-2
-NO	71.12[2.800]	28	2-640440-8 SUP BY 5-640440-8
-NO	68.58[2.700]	27	2-640440-7 SUP BY 5-640440-7
-NO	66.04[2.600]	26	2-640440-6 SUP BY 5-640440-6
-NO	63.50[2.500]	25	2-640440-5 SUP BY 5-640440-5
-NO	60.96[2.400]	24	2-640440-4 SUP BY 5-640440-4
-NO	58.42[2.300]	23	2-640440-3 SUP BY 5-640440-3
-NO	55.88[2.200]	22	2-640440-2 SUP BY 5-640440-2
-NO	53.34[2.100]	21	2-640440-1 SUP BY 5-640440-1
-NO	50.80[2.000]	20	2-640440-0 SUP BY 5-640440-0
-NO	48.26[1.900]	19	1-640440-9 SUP BY 4-640440-9
-NO	45.72[1.800]	18	1-640440-8 SUP BY 4-640440-8
-NO	43.18[1.700]	17	1-640440-7 SUP BY 4-640440-7
-NO	40.64[1.600]	16	1-640440-6 SUP BY 4-640440-6
-NO	38.10[1.500]	15	1-640440-5 SUP BY 4-640440-5
-NO	35.56[1.400]	14	1-640440-4 SUP BY 4-640440-4
-NO	33.02[1.300]	13	1-640440-3 SUP BY 4-640440-3
-NO	30.48[1.200]	12	1-640440-2 SUP BY 4-640440-2
-NO	27.94[1.100]	11	1-640440-1 SUP BY 4-640440-1
-NO	25.40[1.000]	10	1-640440-0 SUP BY 4-640440-0
-NO	22.86[.900]	9	640440-9 SUP BY 3-640440-9
-NO	20.32[.800]	8	640440-8 SUP BY 3-640440-8
-NO	17.78[.700]	7	640440-7 SUP BY 3-640440-7
-NO	15.24[.600]	6	640440-6 SUP BY 3-640440-6
-NO	12.70[.500]	5	640440-5 SUP BY 3-640440-5
-NO	10.16[.400]	4	640440-4 SUP BY 3-640440-4
-NO	7.62[.300]	3	640440-3 SUP BY 3-640440-3
-NO	5.08[.200]	2	640440-2 SUP BY 3-640440-2

7

- 1 MATERIAL: CONNECTOR - NYLON UL94V-2 (RED).  
 CONTACTS - 0.30[.012] THICK COPPER ALLOY  
 BRIGHT TIN-LEAD .00203[.000080] MIN THICKNESS  
 FOR 640440-2 THRU 2-640440-8.  
 MATTE WHISKER MITIGATED TIN .00203[.000080] MIN THICKNESS OVER  
 NICKEL UNDERPLATE FOR 3-640440-2 THRU 5-640440-8.
- 2 CONTACTS ACCEPT 22 AWG WIRE WITH 1.52[.060] MAX  
 INSULATION DIAMETER.
- 3 CONTACTS MUST ACCEPT 0.64±0.03[.025±.001]  
 POST AND REMAIN LOCKED IN POSITION.
- 4 IDENTIFICATION NUMBER FOR LAST CIRCUIT MAY  
 NOT APPEAR ON ALL ASSEMBLIES.
- 5 DIMENSIONS IN BRACKETS ARE IN INCHES.
- 6 HOUSING FEATURES ARE: CLOSED END WITH LOCKING RAMP.
- 7 OBSOLETE PARTS



THIS DRAWING IS A CONTROLLED DOCUMENT.		DWN S. CARPENTER 09JUN2003	TE Connectivity	
DIMENSIONS: INCHES		CHK D. BOSSI 09JUN2003		
TOLERANCES UNLESS OTHERWISE SPECIFIED:		APVD D. BOSSI 09JUN2003	NAME	
0 PLC ±		PRODUCT SPEC		
1 PLC ±		108-1050		
2 PLC ±		APPLICATION SPEC		
3 PLC ± 0.13 [.005]		114-1019		
4 PLC ±		SIZE CAGE CODE DRAWING NO RESTRICTED TO		
ANGLES ±		A2 00779 C-640440 -		
MATERIAL 1	FINISH 1	WEIGHT		SCALE 5:1 SHEET 1 of 1 REV N3
CUSTOMER DRAWING				

# Mouser Electronics

Authorized Distributor

Click to View Pricing, Inventory, Delivery & Lifecycle Information:

[TE Connectivity:](#)

[4-640440-5](#)