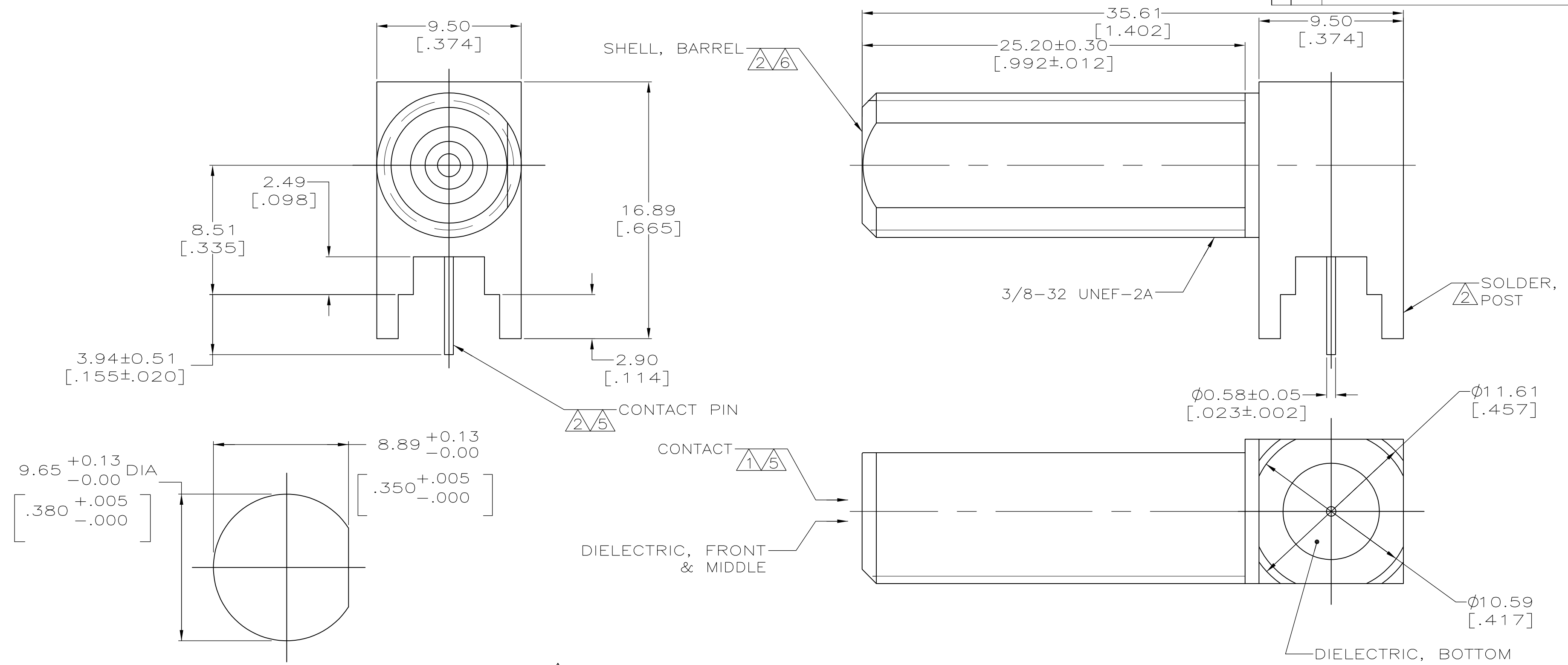
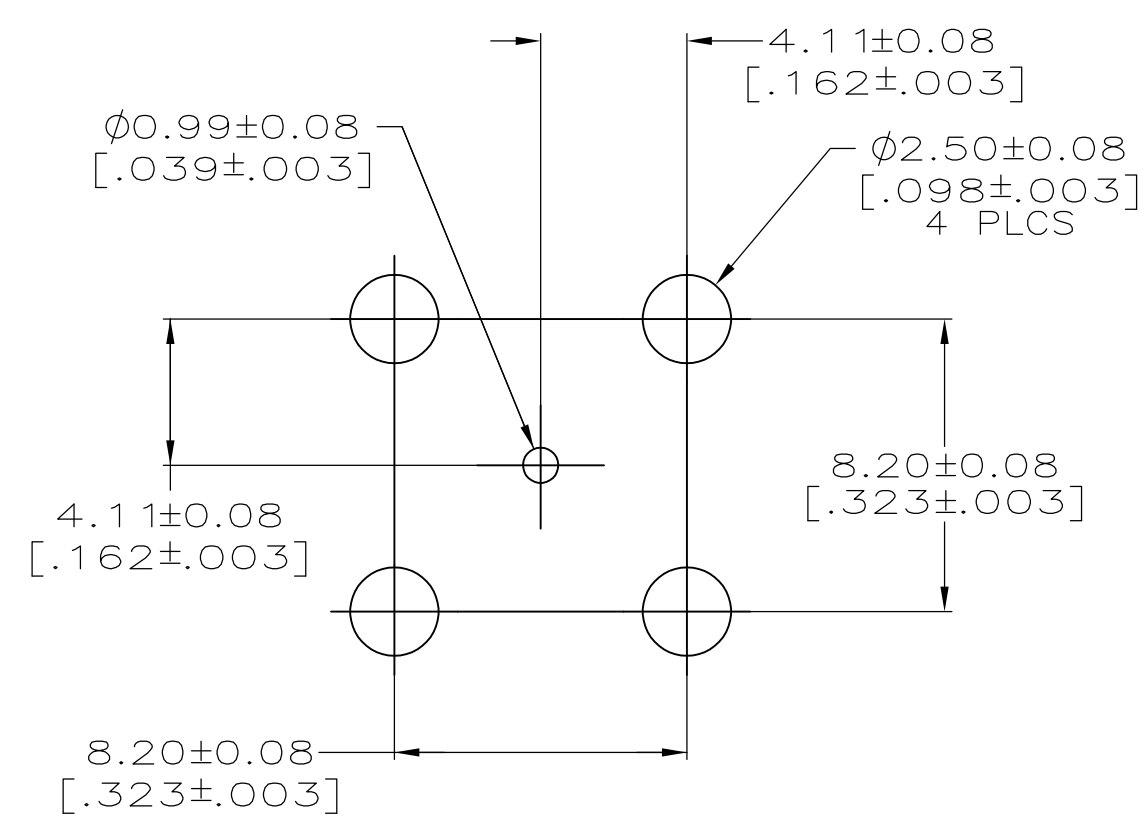


LOC	DIST	REVISIONS			
P	LTR	DESCRIPTION	DATE	DWN	APVD
	J	REVISED PER ECO 06-016786	1/22/2007	DW	KW
	J1	REVISED PER ECO-09-020932	04SEP09	KK	AEG



SUGGESTED PANEL CUTOUT



PCB CONFIGURATION

- 1 PHOSPHOR BRONZE.
- 2 BRASS.
- 3 PTFE.
- 4 ACETAL, GENERAL PURPOSE
- 5 TIN PLATE 2.54  $\mu$ m [0.000100] MINIMUM THICK.
- 6 NICKEL PLATE 2.54  $\mu$ m [0.000100] MINIMUM THICK.
- 7 POLYPROPYLENE, GENERAL PURPOSE
- 8. CONNECTOR WILL ACCEPT CENTER CONDUCTOR DIAMETER RANGE OF .020-.047.
- 9 OBSOLETE PARTS: OBSOLETE CIS STREAMLINING PER D.RENAUD/D.SINISI

	1	2	3	4	5	6	7	8	9
SOLDER POST PLATING	1	2	3	4	5	6	7	8	9
FRONT DIELECTRIC MATERIAL	1	2	3	4	5	6	7	8	9
MIDDLE DIELECTRIC MATERIAL	1	2	3	4	5	6	7	8	9
BOTTOM DIELECTRIC MATERIAL	1	2	3	4	5	6	7	8	9
PART NUMBER	415024-3	415024-2	415024-1						

THIS DRAWING IS A CONTROLLED DOCUMENT.

DIMENSIONS: mm [INCHES]	TOLERANCES UNLESS OTHERWISE SPECIFIED:	DWN J. LIPPERT 08AUG96	tyco Tyco Electronics Corporation Harrisburg, PA 17105-3608
0 PLC ± -	1 PLC ± -	CHK K. WEIDNER 10MAR97	APVD K. WEIDNER 10MAR97
2 PLC ± -	3 PLC ± 0.20 [0.008]	PRODUCT SPEC 108-1755	NAME JACK, PCB, RIGHT ANGLE, F SERIES
4 PLC ± -	ANGLES ± -	APPLICATION SPEC	SIZE CAGE CODE DRAWING NO RESTRICTED TO
MATERIAL SEE NOTES 1-4, 7	FINISH SEE NOTE 5 & 6	WEIGHT -	A2 00779 415024
CUSTOMER DRAWING		SCALE 5:1	SHEET 1 OF 1 REV J1

# Mouser Electronics

Authorized Distributor

Click to View Pricing, Inventory, Delivery & Lifecycle Information:

[TE Connectivity:](#)

[415024-3](#)