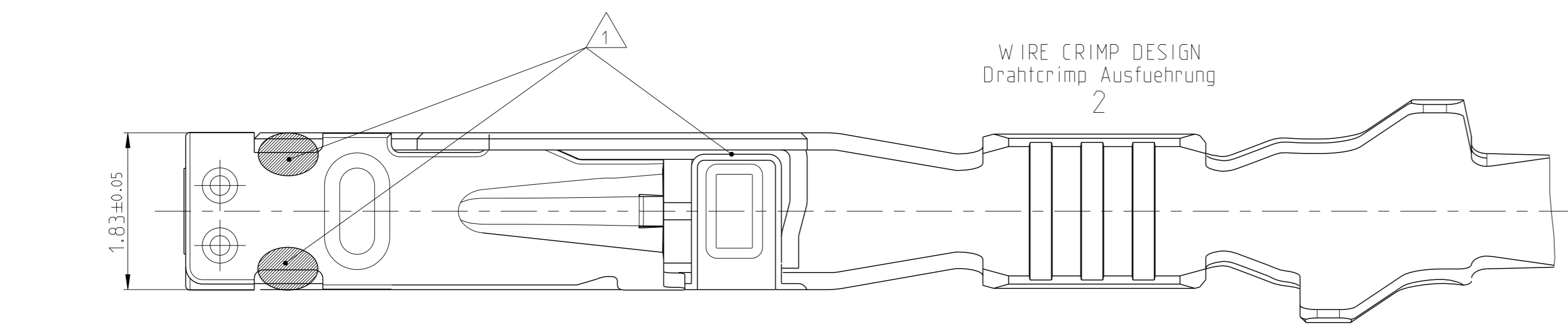
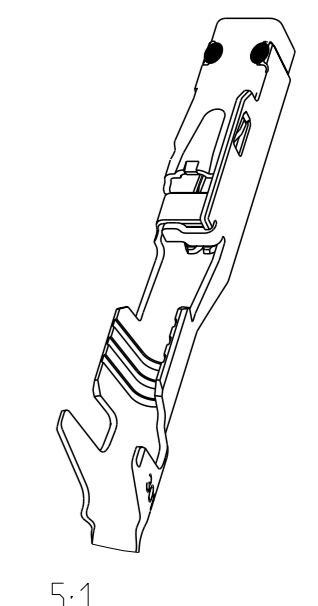
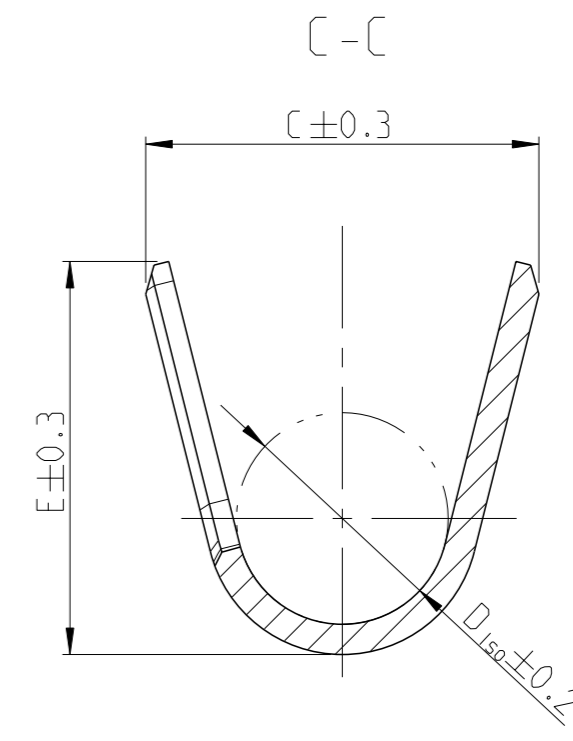
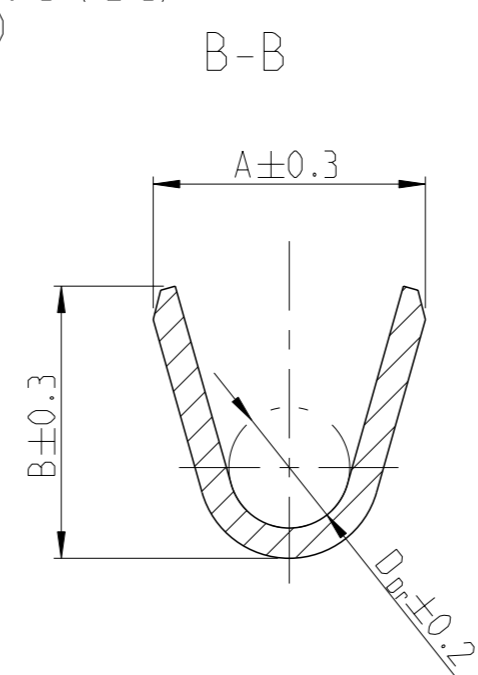
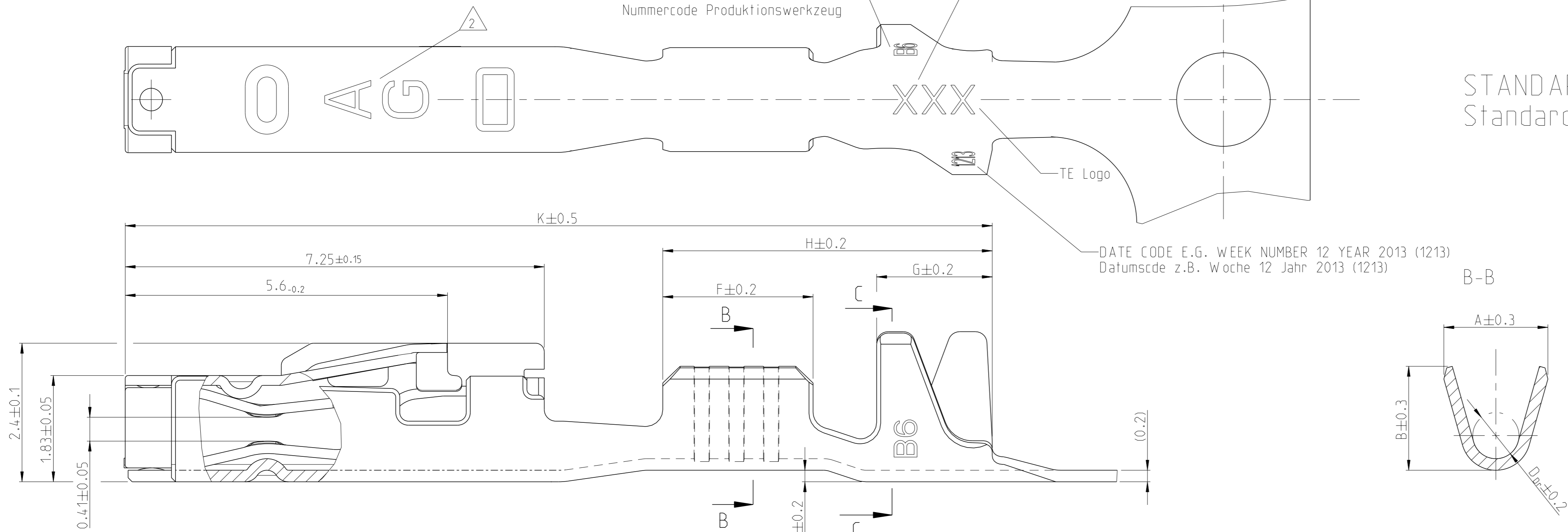


Project No. PRJ-11-000001417	Loc A1	DIST -	REVISIONS			
#	CT#	DESCRIPTION	DATE	OWN	APVD	
C4		PN 2141861 and 2141970 active ECR-14-001724	06FEB2014	Abr	Raab	
C5		ECR-14-008680 CANCELED	12JUN2014	Abr	Raab	
C6		Name Changed to MCON 1.2 LL ECR-14-012725	25AUG2014	Abr	Raab	
C7		See PCN E-17-018644	21DEC2017	FRAN	KURF	

REVISION Aenderungsstand /  
NUMBER CODE PRODUCTION TOOL  
Nummercode Produktionswerkzeug

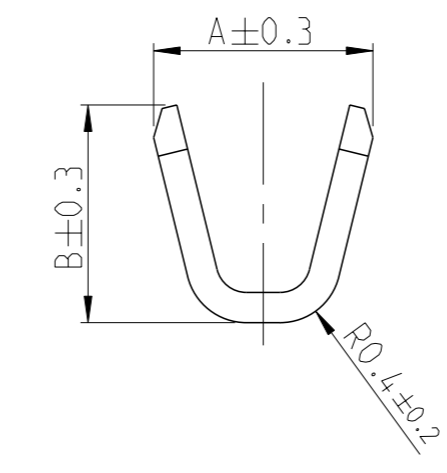
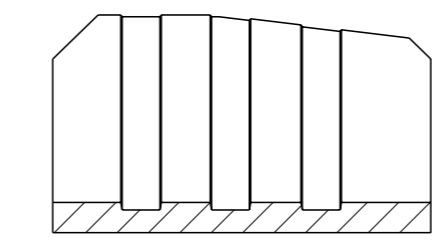
MANUFACTURING LOCATION CODE  
Kennzahl Produktionsstandort

STANDARD APPLICATION  
Standard Anwendung

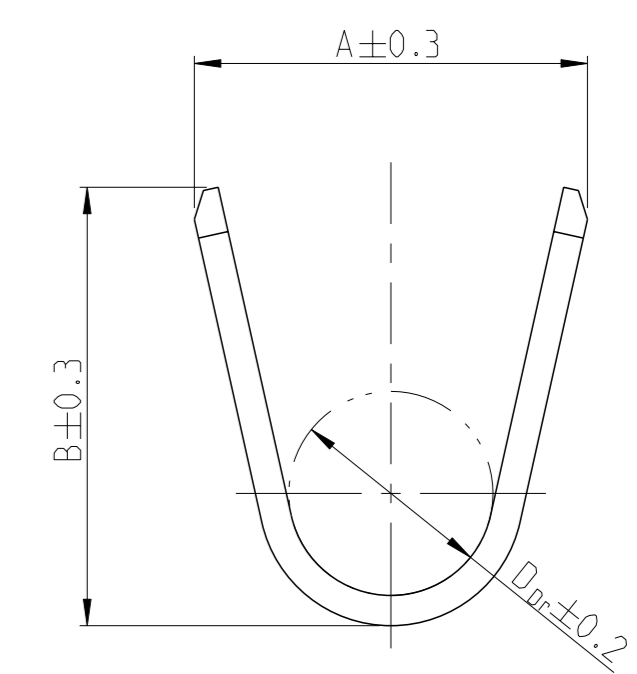
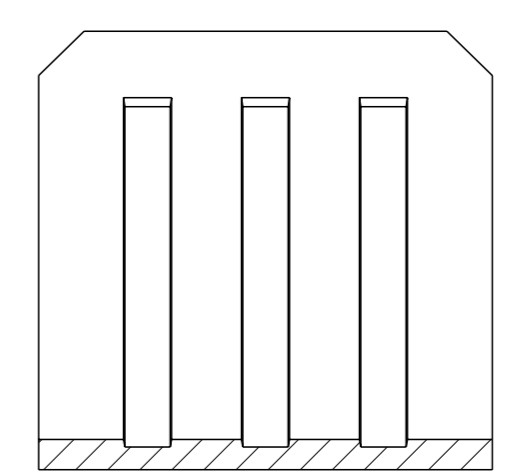


WIRE CRIMP DESIGN  
Drahtcrimp Ausfuehrung  
2

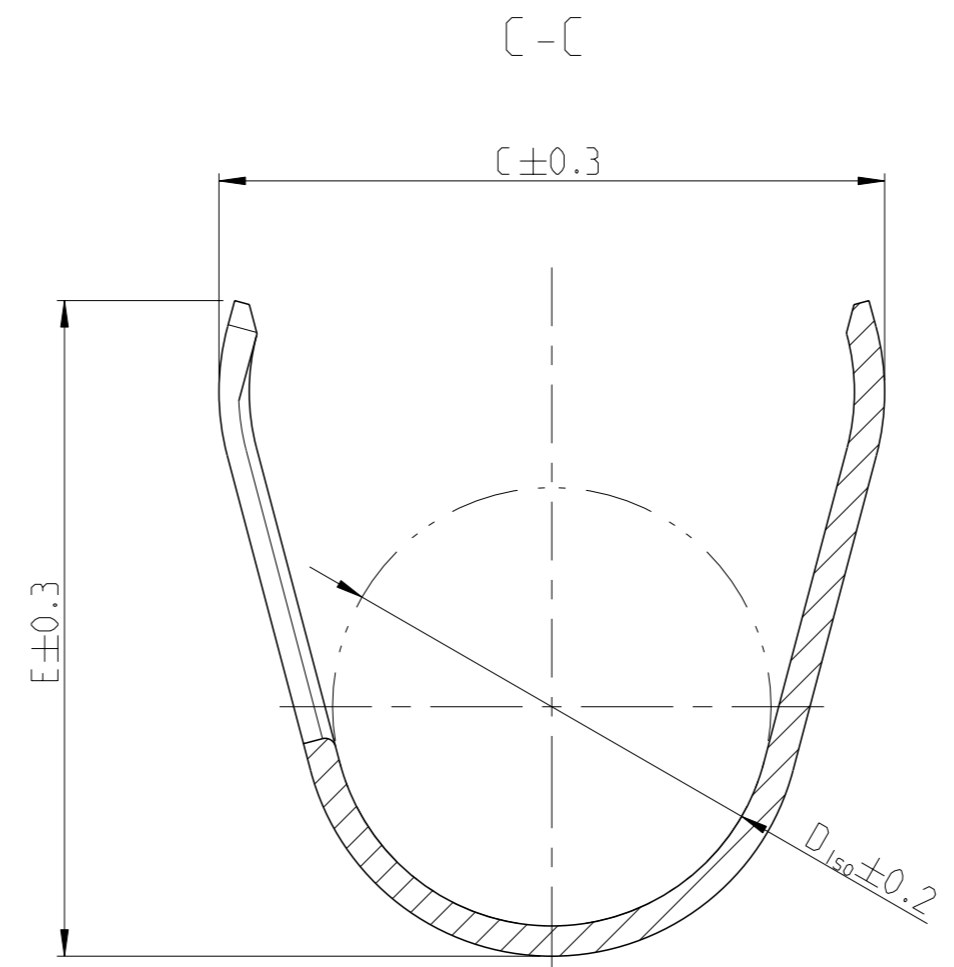
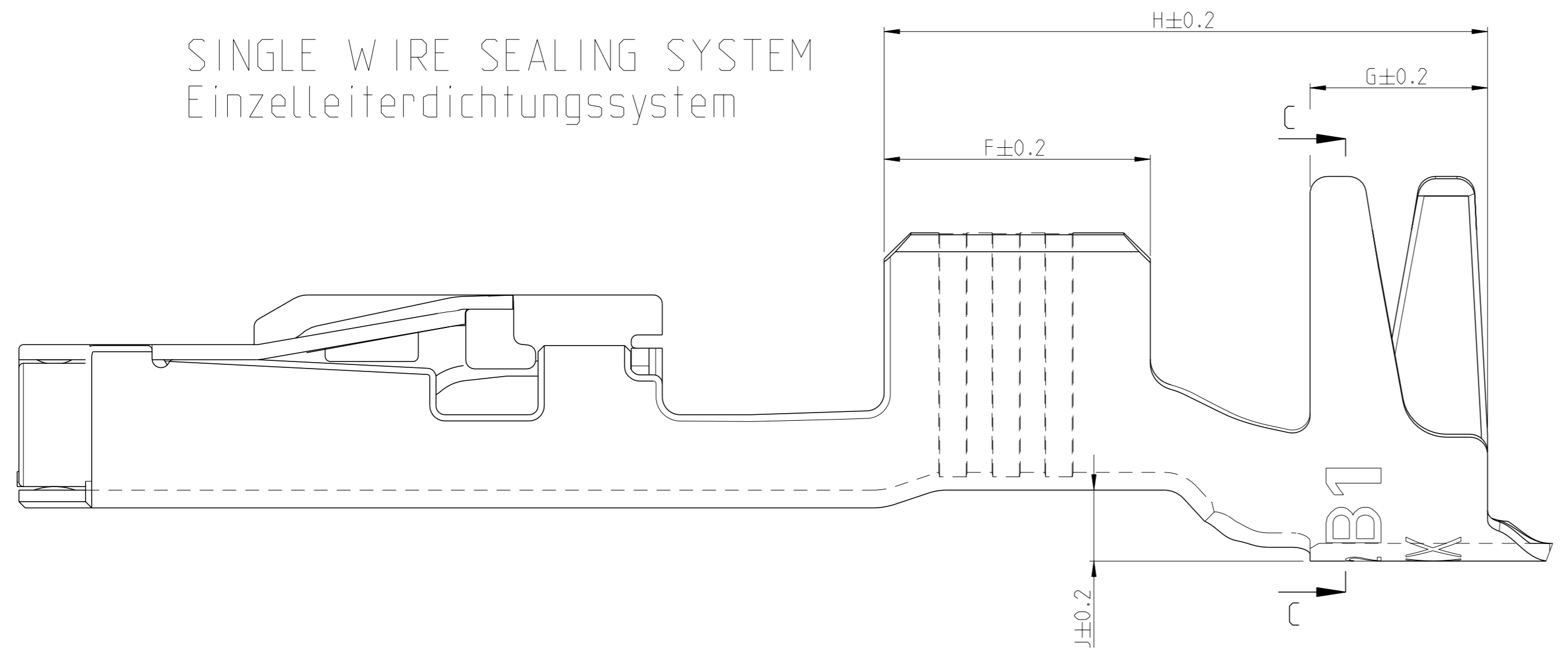
WIRE CRIMP DESIGN  
Drahtcrimp Ausfuehrung  
1



WIRE CRIMP DESIGN  
Drahtcrimp Ausfuehrung  
3

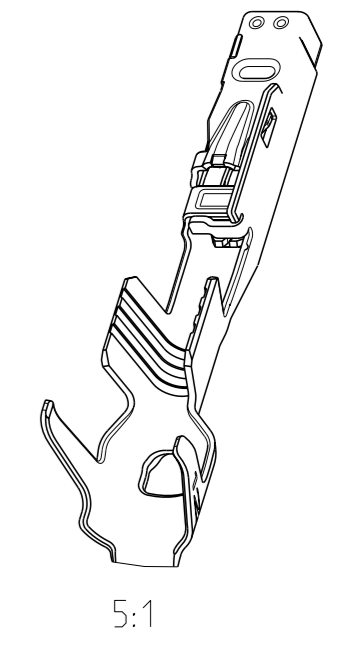


SINGLE WIRE SEALING SYSTEM  
Einzelleiterdichtungssystem



NOTES  
Bemerkungen

- 1 LASER WELDED  
Lasergeschweisst
- 2 STAMPED INDICATOR FOR PLATING:  
- AU GOLD PLATING  
- AG SILVER PLATING  
- TIN PLATING WITHOUT INDICATOR  
Markierung fuer galvanische Ausfuehrung:  
- AU verguldet  
- AG versilbert  
- verzinkt: ohne Markierung
- 3 TO BE USED ON TAB  
1.2±0.1 x 0.6±0.03 MM  
geeignet fuer Flachstecker  
1.2±0.1 x 0.6±0.03 mm



THIS DRAWING IS A CONTROLLED DOCUMENT.		OWN E. Horn	11NOV2011		TE Connectivity
DIMENSIONS: mm		CHK R. Meier	11NOV2011		NAME MCON 1.2 LL (LOCKING-LANCE)
TOLERANCES UNLESS OTHERWISE SPECIFIED: ±0.2		APVD V. Seigel	11NOV2011	SIZE 108-18782	RESTRICTED TO
MATERIAL		FINISH		APPLICATION SPEC 114-18464	SCALE 20:1
WEIGHT 0.18 g		Customer Drawing		114-18464	SHEET 1 OF 2
Customer Drawing		SCALE 20:1		REV 7	

LOC	DIST	REVISIONS			
A1	-	REV	DATE	OWN	APVD
		1	SEE SHEET 1	-	-

VERSION / Ausführung	REV.	RANGE Bereich	INSULATION-Ø Isolations-Ø (mm)	AWG	mm <sup>2</sup>	BODY Kontakt-körper	SPRING Kontakt-feder	BODY Kontakt-körper	SPRING Kontakt-feder	DESIGN WIRE-CRIMP Ausführung Draht-Crimp	SINGLE WIRE SEAL FOR CAVITY DIAMETER											BLINDPLUG ORDER NO. Blindstopfen Bestell-Nr.	APPLICATION TOOLS Verarbeitungswerkzeuge	
											A	B	D <sub>Dr</sub>	C	E	D <sub>ISO</sub>	F	G	H	J	K			
STANDARD APPLICATION Standardanwendung	2141970-3	A	0.13-	0.95-	-	0.13	CuSn4	CuNiSi	8	7	1	1.5	1.4	-	4.0	3.9	2.6	2.5	1.9	6.2	0.6	16	SEE APPLICATION SPEC. 114-18464 siehe Verarbeitungsspez. 114-18464	
	2141970-2	A	0.22	0.95-	-	0.17				6														
	2141970-1	A	9	1.2	-	0.22				5														
	7-1452665-3	A	0.25-	1.1-	24	-				7														
	7-1452665-2	A	0.35	1.75	22	-				6														
	7-1452665-1	A	0.35	1.75	22	-				5														
	7-1452668-3	A	0.5-	1.4-	20	0.5				7														
	7-1452668-2	A	0.75	1.9	-	0.75				6														
	7-1452668-1	A	0.75	1.9	-	0.75				5														
	7-1452671-3	A	1-	1.9-	18	-				7														
	7-1452671-2	A	1.5	2.4	16	-				6														
	7-1452671-1	A	1.5	2.4	16	-				5														
STANDARD APPLICATION Standardanwendung	2141861-3	A	0.13-	0.95-	-	0.13	CuSn4	CuNiSi	8	7	1	1.5	1.4	-	2.0	1.9	1.1	2.5	1.7	5.4	0	15		
	2141861-2	A	0.22	0.95-	-	0.17				6														
	2141861-1	A	9	1.2	-	0.22				5														
	7-1452653-3	A	0.25-	1.1-	24	-				7														
	7-1452653-2	A	0.35	1.75	22	-				6														
	7-1452653-1	A	0.35	1.75	22	-				5														
	7-1452656-3	A	0.5-	1.4-	20	0.5				7														
	7-1452656-2	A	0.75	1.9	-	0.75				6														
	7-1452656-1	A	0.75	1.9	-	0.75				5														
	7-1452659-3	A	1-	1.9-	18	-				7														
	7-1452659-2	A	1.5	2.4	16	-				6														
	7-1452659-1	A	1.5	2.4	16	-				5														

**7- VARIANTS FOR NEW APPLICATIONS**

- NOTES  
Bemerkungen
- 4 ONLY FOR FLR-WIRE SEE DIN 72551, PART 6 AND AWG WIRE ACCORDING DC-SPEC: MS-8288 ; MS-7889 ; MS-9532  
Nur fuer FLR-Leitung nach DIN 72551, Teil 6 und AWG Leitung nach DC-SPEC: MS-8288 ; MS-7889 ; MS-9532
  - 5 PRE TIN SnAg 1.0 TO 3.0µm  
Vorverzinkt SnAg 1.0 bis 3.0µm
  - 6 SPRING GOLD PLATED MIN. 0.8µm (only contact area)  
Kontaktfeder galv. vergoldeft min.0.8µm (nur Kontaktzone)
  - 7 SPRING SILVER PLATED 2.0 TO 5.0µm (only contact area)  
Kontaktfeder galv. versilbert 2.0 bis 5.0µm (nur Kontaktzone)
  - 8 BODY PRE TIN Sn 1.0 TO 3.0µm  
Kontaktkoerper vorverzinkt Sn 1.0 bis 3.0µm
  - 9 REINFORCED WIRE ACCORDING TO LV 112-4  
Zugverstaerkte Leitung nach LV 112-4

VERSION / Ausführung	REV.	RANGE Bereich	INSULATION-Ø Isolations-Ø (mm)	AWG	mm <sup>2</sup>	BODY Kontakt-körper	SPRING Kontakt-feder	BODY Kontakt-körper	SPRING Kontakt-feder	DESIGN WIRE-CRIMP Ausführung Draht-Crimp	SINGLE WIRE SEAL FOR CAVITY DIAMETER											BLINDPLUG ORDER NO. Blindstopfen Bestell-Nr.	APPLICATION TOOLS Verarbeitungswerkzeuge	
											A	B	D <sub>Dr</sub>	C	E	D <sub>ISO</sub>	F	G	H	J	K			
STANDARD APPLICATION Standardanwendung	0-1452665-3	B	0.25-	1.1-	24	-	CuSn0.15/0.2	CuNiSi	5	7	2	1.8	1.8	0.8	4.2	4.3	2.6	2.6	2.0	6.4	0.8	16	SEE APPLICATION SPEC. 114-18464 siehe Verarbeitungsspez. 114-18464	
	0-1452665-2	B	0.35	1.75	22	-				6														
	0-1452665-1	B	0.35	1.75	22	-				5														
	0-1452668-3	C	0.5-	1.4-	20	0.5				7														
	0-1452668-2	C	0.75	1.9	-	0.75				6														
	0-1452668-1	C	0.75	1.9	-	0.75				5														
	0-1452671-3	B	1-	1.9-	18	-				7														
	0-1452671-2	B	1.5	2.4	16	-				6														
	0-1452671-1	B	1.5	2.4	16	-				5														
	0-1452653-3	B	0.25-	1.1-	24	-				7														
	0-1452653-2	B	0.35	1.75	22	-				6														
	0-1452653-1	B	0.35	1.75	22	-				5														
0-1452656-3	C	0.5-	1.4-	20	0.5	7																		
0-1452656-2	C	0.75	1.9	-	0.75	6																		
0-1452656-1	C	0.75	1.9	-	0.75	5																		
0-1452659-3	B	1-	1.9-	18	-	7																		
0-1452659-2	B	1.5	2.4	16	-	6																		
0-1452659-1	B	1.5	2.4	16	-	5																		

**0- VARIANTS SUPERSEDED BY 7- VARIANTS (SEE TABLE ON TOP)**

THIS DRAWING IS A CONTROLLED DOCUMENT.

OWN: E. Horn	11NOV2011		NAME: MCON 1.2 LL (LOCKING-LANCE)
CHK: R. Meier	11NOV2011		SIZE: A1
APVD: V. Seigel	11NOV2011		CAGE CODE: 00779
PRODUCT SPEC: 108-18782	APPLICATION SPEC: 114-18464		DRAWING NO: 1452674
MATERIAL: -	WEIGHT: -	SCALE: -	SHEET: 2 OF 2
Customer Drawing		REV: C7	

# Mouser Electronics

Authorized Distributor

Click to View Pricing, Inventory, Delivery & Lifecycle Information:

[TE Connectivity:](#)

[1452665-1](#)