

MICRO SWITCH
a Honeywell Division

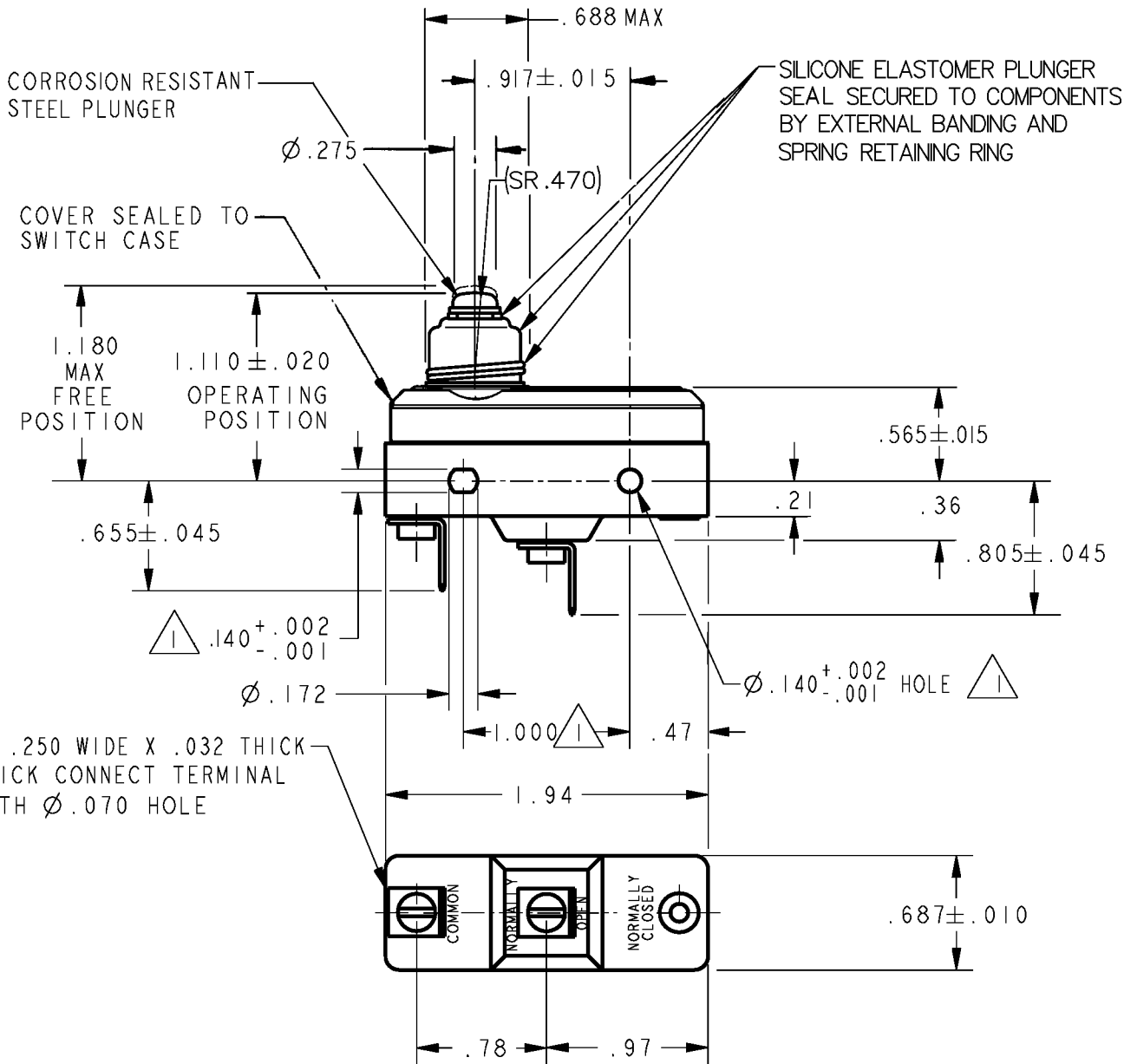
FED. MFG. CODE 91929

SWITCH - BASIC

CATALOG LISTING
YZ-2RDS555116-D6-S

AWP2768

CATALOG LISTING
YZ-2RDS555116-D6-S
PAGE 1 OF 1
REPLACES X113270-YZ
RELEASE NO. 201475
ISSUE 3



NOTES
 1 MOUNTING HOLES WILL ACCEPT PINS OR SCREWS OF Ø.139 MAX ON 1.000 ± .002 CENTERS
 2 - SEALED CONSTRUCTION PROVIDES SPLASH RESISTANCE

ANSI Y14.5M-1982 APPLIES

THIS DRAWING COVERS A PROPRIETARY ITEM AND IS THE PROPERTY OF MICRO SWITCH, A DIVISION OF HONEYWELL. THIS DRAWING IS NOT TO BE COPIED OR USED WITHOUT THE APPROVAL OF MICRO SWITCH.

THIRD ANGLE PROJECTION

CHARACTERISTICS	ELECTRICAL DATA	SCALE FULL	DO NOT SCALE PRINT
		UNLESS OTHERWISE SPECIFIED TOLERANCES ARE	
OPERATING FORCE ----- 8-19 OZ	CONTACT ARRANGEMENT S P N O	TWO PLACE (.00)	±.015
RELEASE FORCE ----- 4 OZ MIN	L96	THREE PLACE (.000)	±.005
DIFFERENTIAL TRAVEL ----- .0004-.0025	15A 125, 250 OR 480 VAC	ANGLES	±
OVERTRAVEL ----- .062 MIN	1/8HP 125 VAC, 1/4HP 250 VAC	WEIGHT	.076 LB
	1/2A 125 VDC, 1/4A 250 VDC		
	L288 L306 L315		
	16A 250V ~ T85 5E4		

REVISIONS
 A 0001352 JAH 03AUG03
 B 0017586 TSG 09JAN06
 09JAN06
 RJ
 10 OCT 00
 10 OCT 00
 10 OCT 00
 RASTER DRAWN
 CSL 10 OCT 00

Mouser Electronics

Authorized Distributor

Click to View Pricing, Inventory, Delivery & Lifecycle Information:

[Honeywell:](#)

[YZ-2RDS555116-D6-S](#)