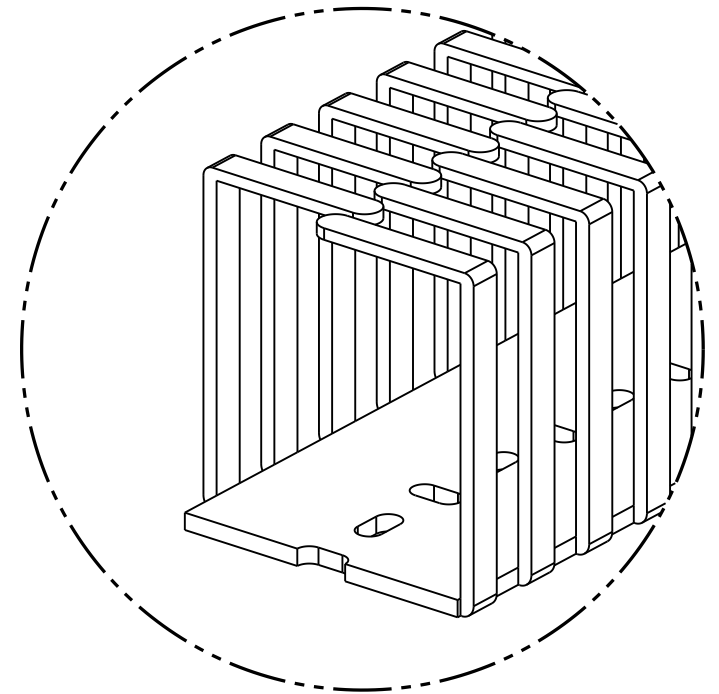
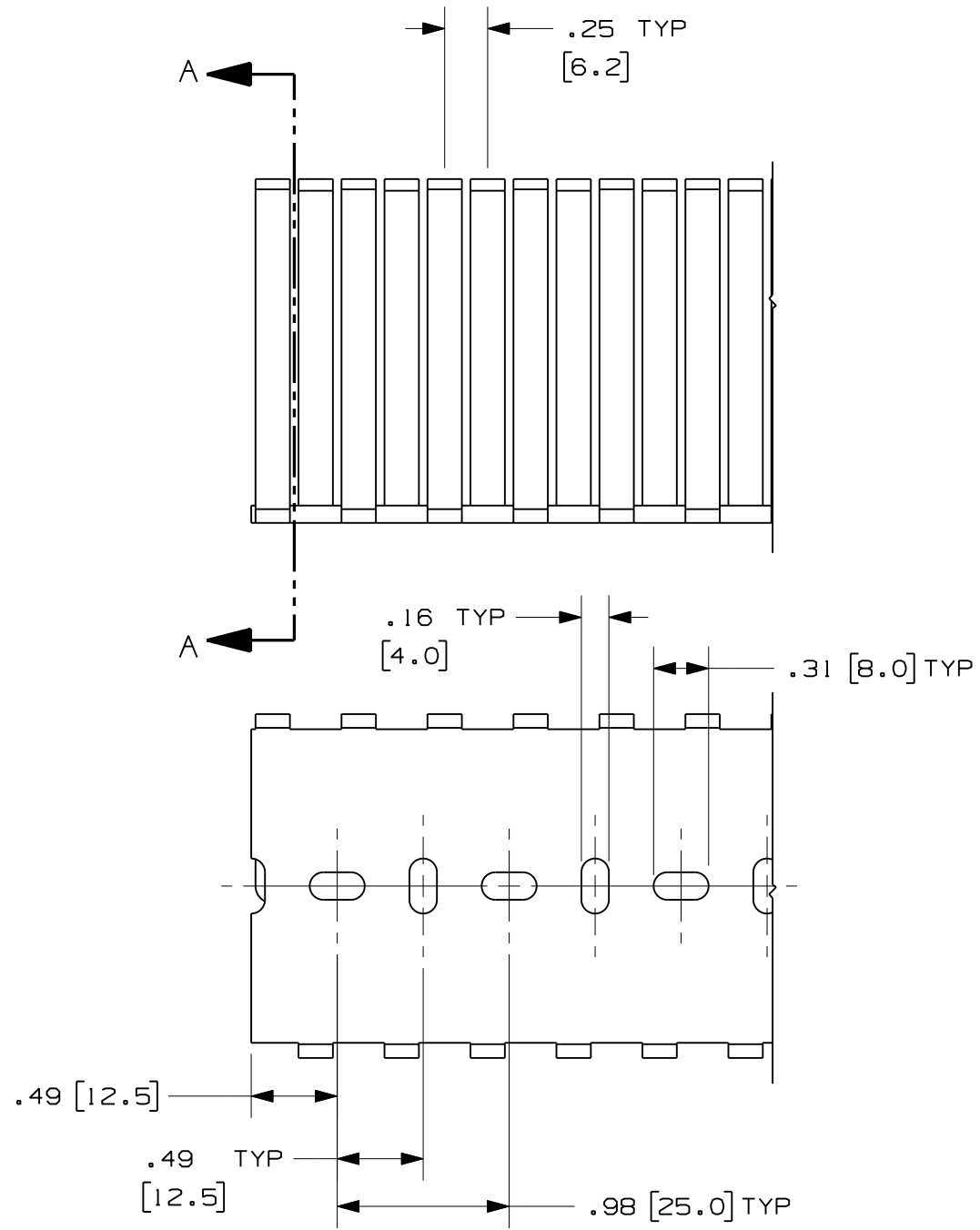
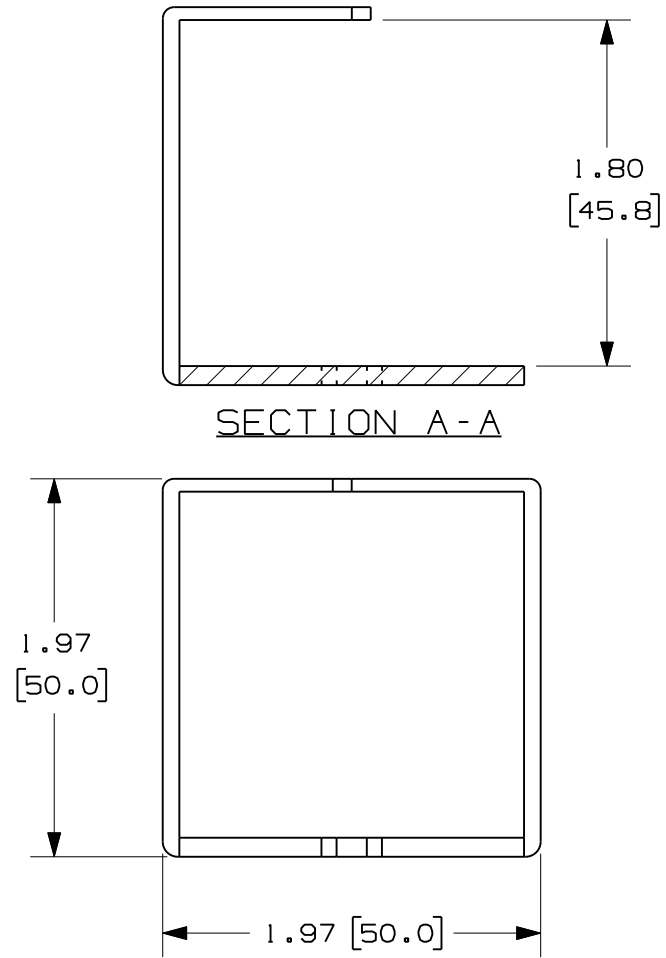


THIS COPY IS PROVIDED ON A RESTRICTED BASIS AND IS NOT TO BE USED IN ANY WAY DETRIMENTAL TO THE INTERESTS OF PANDUIT CORP.

- NOTE.
1. ALL DIMENSIONS ARE REFERENCE ONLY.
 2. DIMENSIONS IN PARENTHESES ARE METRIC.
 3. DUCT IS AVAILABLE IN 19.7 IN (500) LENGTH



CAD FILENAME/LAYERS		D110000M_DC_FL50x50/01A	
PANDUIT CORP. TINLEY PARK, ILLINOIS			
WIRING DUCT - Type FL FLEXIBLE DUCT - FL50X50LG MARKETING DRAWING			
DRAWN BY JCST	MAT'L: POLYPROPYLENE	SCALE FULL	DWG B
DATE 10/13/08	CHECKED BY MKBE	DRAWING NO. 36897-1254	SIZE B

REV	DATE	BY	CHK	DESCRIPTION
R	10/13/08	JCST	MKBE	DRAWING RELEASED

Mouser Electronics

Authorized Distributor

Click to View Pricing, Inventory, Delivery & Lifecycle Information:

[Panduit:](#)

[FL50X50LG-A](#)